

### Description & Features:

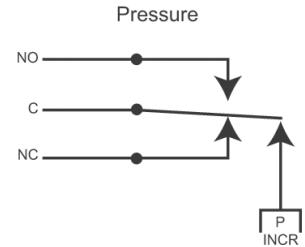
- Piston-type pressure switch
- 30 to 1,600 psi pressure range
- SPDT switch
- Simple set point adjustment, SPDT snap action
- Anodized aluminum construction with Buna-N wetted parts
- Hermetically sealed contacts available
- ±2% of the adjustable range accuracy
- NEMA 4, IP65 enclosure rating
- CSA approved
- CRN registered (up to 340 psi models)
- 5 year warranty

### Applications:

- Suitable for pump and compressor monitoring, HVAC systems and general industrial applications

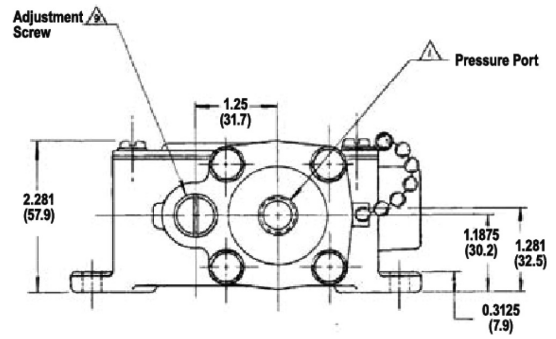
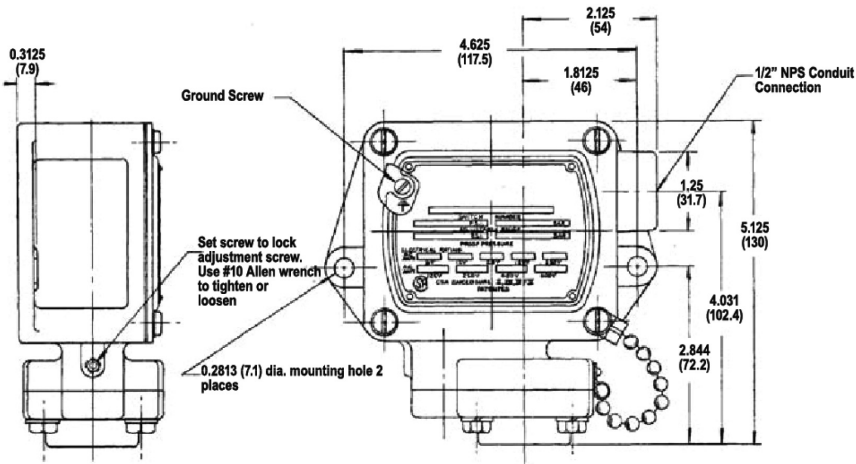
Specifications	
<b>Housing Material</b>	Anodized aluminum
<b>Accuracy</b>	±2% of the adjustable range
<b>Pressure Connection</b>	1/4" NPTF
<b>Electrical Connection</b>	1/2" NPTF conduit connection with screw terminals
<b>Wetted Parts</b>	Aluminum and Buna N (PTFE or FKM diaphragm optional)
<b>Set Point Adjustment</b>	Self locking adjustment nut
<b>Deadband</b>	Fixed
<b>Contact Rating</b>	10 amps @ 125/250/480 Vac 0.05 amps @ 125 Vdc 0.03 amps @ 250 Vdc (standard for 30, 85 and 340 ranges) 5 amps @ 125/250 Vac (hermetically sealed)
<b>No. of Contacts</b>	1 x SPDT (hermetically sealed option available)
<b>Ambient Temperature</b>	-20°F to 165°F (-29°C to 74°C)
<b>Storage Temperature</b>	-40°F to 200°F (-40°C to 93°C)
<b>Enclosure Rating</b>	NEMA 4, IP65
<b>Approvals</b>	CSA approved
<b>Weight</b>	3.75 lbs (1.7 kg)

### Wiring Diagram



### Order Codes

Adjustable Range psi (bar)		Approximate Deadband (Actuation value) psi (bar)	Proof Pressure psi (bar)	NEMA 4 Code
Min	Max			
0.5 (0.03)	30 (2)	0.4-2 (0.03-.13)	2,000 (133)	3WPSH030N4
3 (0.2)	85 (5.7)	0.8-7 (0.05-0.5)	2,000 (133)	3WPSH085N4
6 (0.4)	340 (23)	2-22 (0.13-1.5)	2,000 (133)	3WPSH340N4
25 (1.7)	600 (40)	2-17 (0.13-1.1)	2,000 (133)	3WPSH600N4
400 (27)	1,600 (107)	20-80 (1.3-5.3)	2,000 (133)	3WPSH1600N4



## Series Number (how to order)

### SERIES

### SWITCH

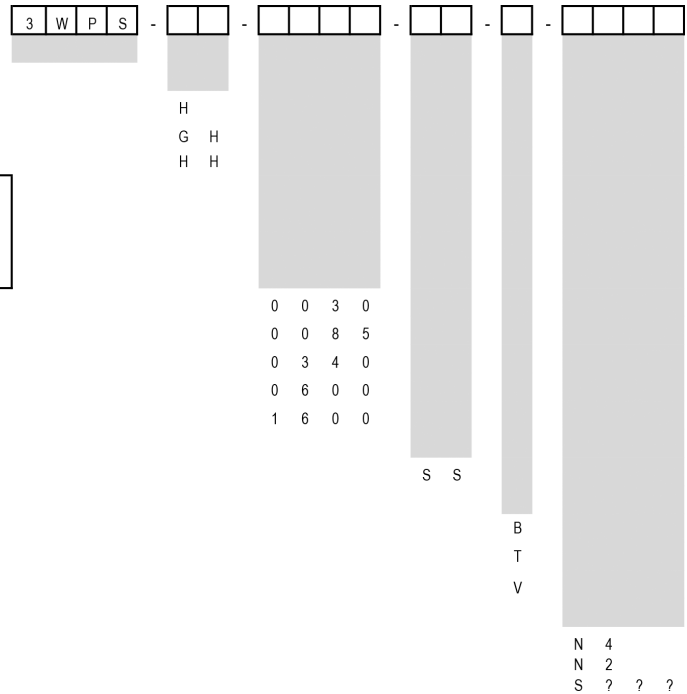
10 amps @ 125/250 VAC; 3 amps @ 480 VAC (standard for 600 range)

1 amp @ 125 VAC; gold contact, 1 amp @ 24 VDC

5 amps @ 125/250 VAC (hermetically sealed)

### PRESSURE RANGES PSI (BAR)

Adjustable Range psi (bar)		Approximate Deadband (Actuation Value based on closed contact)
Min	Max	
0.5 (0.03)	30 (2)	0.4-2 (0.03-0.13)
3 (0.2)	85 (5.7)	0.87-7 (0.05-0.5)
6 (0.4)	340 (23)	2-22 (0.13-1.5)
25 (1.7)	600 (40)	2-17 (0.13-1.1)
400 (27)	1,600 (107)	20-80 (1.3-5.3)



### PRESSURE FITTING

Stainless steel, 1/4" NPT (standard)

### WETTED PARTS

Buna-N diaphragm (standard)

PTFE diaphragm

Viton diaphragm

### OPTIONS

1/4" NPT (standard)

1/2" NPT pressure fitting (only available in stainless steel)

Factory preset (consult factory)