

Type 1020S Christmas Tree Gauge



FEATURES

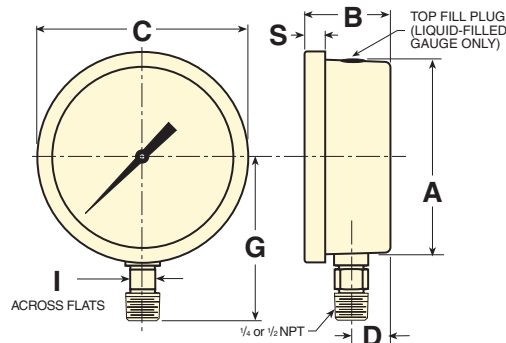
- 4½" dial size
- All-stainless steel case and ring
- 316 stainless steel Bourdon tube
- Micrometer-adjustable pointer

Ashcroft® Type 1020S Christmas Tree gauges are designed to the specific needs of oil fields where rugged construction and minimal maintenance is important.

PRODUCT SPECIFICATIONS

Model Number:	1020
Accuracy:	±1% full scale (Grade 1A, ASME B40.100)
Ranges:	1000 to 20,000 psi
Dial Size:	4½"
Case Material:	Stainless steel
Ring:	Bayonet lock
Window:	Glass
Dial:	Aluminum, white background, black figures and intervals.
Pointer:	Micrometer adjustable
Movement:	SS, Teflon® coated pinion and sector shaft, rotary geared
Bourdon Tube and Socket:	316 SS
Connection Size:	½" NPT, ¼" NPT optional
Connection Location:	Lower
Mounting:	Stem or surface

DIMENSIONS



Dial Size Inches	A	B	C	D	G	I	S	Wght (lbs)
4½	4 ¹⁹ / ₁₆ (121)	2 ¹ / ₁₆ (53)	5 ¹ / ₃₂ (130)	1 ⁵ / ₁₆ (24)	4 ¹ / ₁₆ (103)	5/ ₈ (16)	1 ⁵ / ₃₂ (12)	1.75 .8 kg

HOW TO ORDER:

- 45 1020 S 04L 1000#
1. Dial size—4½" _____
 2. Case type—1020 _____
 3. Tube and socket material _____
 4. Connection size—¼ (02), ½ (04) _____
 5. Connection location—Lower (L) only _____
 6. Standard pressure range—1000 psi (see page 2) _____

Type 1020S Christmas Tree Gauge

CASE TYPE								
Gauge Type Number	Dial Size (inches)	Case & Ring Material Finish	Bourdon Tube & Tip Material	Socket Material	Pressure Range (psi)	Pointer	Movement	NPT Connection
XMAS TREE 1020S	4½	Case: Stainless Steel Ring: Bayonet Lock Stainless Steel Both polished	316 Stainless Steel (all joints TIG welded)	316 Stainless Steel	1000/20,000	Micrometer Adjustable	Stainless Steel Teflon coated pinion and sector shaft, rotary geared	½ ¼ optional

STANDARD METRIC RANGES								
TYPE	RANGE		DIAL GRADUATIONS		RANGE	DIAL GRADUATIONS		Outer Scale When Dual Range Specified psi
	kg/cm ²	Bar	Figure Interval	Minor Graduation	kPa (kilopascal)	Figure Interval	Minor Graduation	
1020S	Pressure							
	0/60	0/60	5	1	0/6000	500	100	0/850
	0/100	0/100	10	1	0/10,000	1000	100	0/1400
	0/160	0/160	20	2	0/16,000	2000	200	0/2200
	0/250	0/250	50	5	0/25,000	5000	200	0/3500
	0/400	0/400	50	5	0/40,000	5000	500	0/5500
	0/600	0/600	50	10	0/60,000	5000	500	0/8500
	0/1000	0/1000	100	10	0/100,000	10,000	1000	0/14,000
	0/1600	0/1600	200	20	0/160,000	20,000	2000	0/22,000

STANDARD RANGES		
Pressure Range	Figure Interval	Minor Graduation
0/1000	100	10
0/2000	200	20
0/3000	300	50
0/5000	500	50
0/10,000	1000	100
0/20,000	2000	200