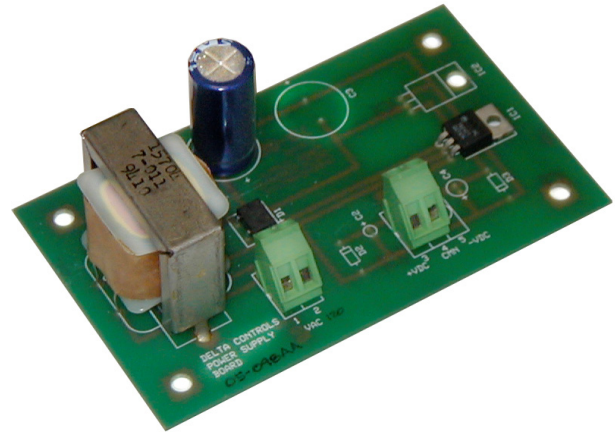


DC POWER SUPPLY FOR SIGNAL LOOPS, ALARM MODULES, CONTROL MODULES, POINT SWITCHES, ETC.

TSPS

Model 355

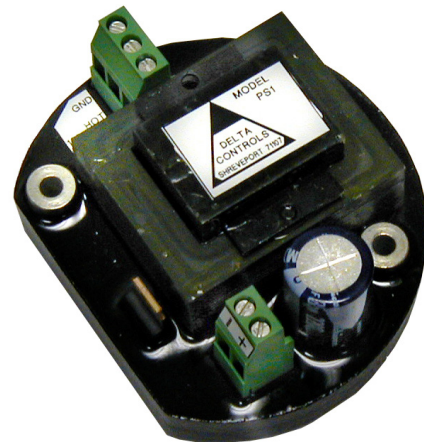
The **Model 355** is a general purpose D.C. power supply for supplying up to three 4-20 mA signal loops. It is regulated and provides 24 VDC at up to 65 mA maximum loading. It is transformer isolated. It has voltage spike and transient protection. It is a 3" x 5" NEMA backplate size and can be mounted in enclosures by others or provided with its own enclosure.



FOR MOUNTING IN A NEMA BOX IN PLACE OF A BACKPLATE. IT CAN DRIVE 3 LOOPS OR 1 LOOP AND AN ALARM RELAY MODULE.

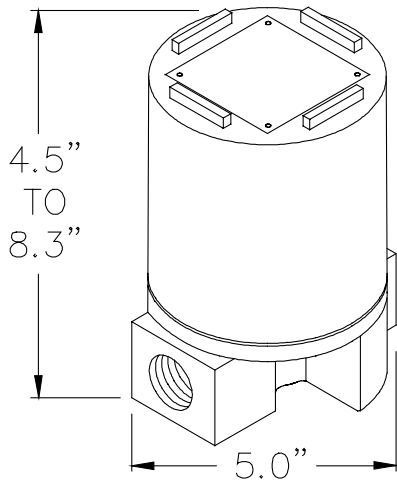
Model PS

The **Model PS** is a heavy duty, unregulated 24 VDC supply; has a 150 mA load capability, and is packaged as a 3" DEM potted module. It can drive 3 switching relay points or 6 signal loops. It can be mounted in Delta housings integrally with Model 341 alarms, 170 transmitters, 550 transmitters, 870 transmitters, etc. It is equipped with voltage spike and spark suppressors. It is epoxy potted for corrosive field services.



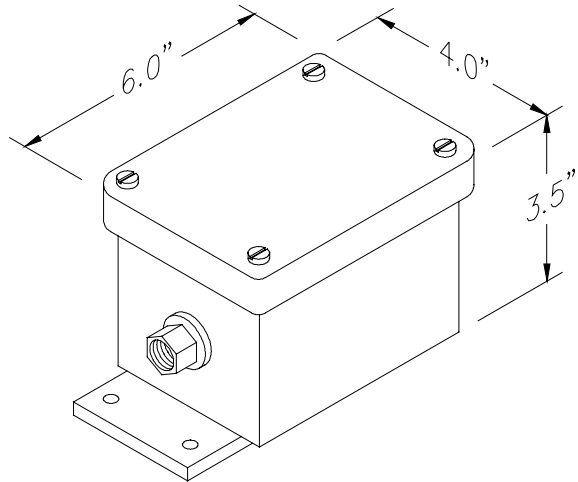
FOR STACK MOUNTING; SIGNAL LOOP POWER SUPPLY. THE MODEL PS CAN DRIVE 3 SWITCHING RELAY POINTS OR 6 SIGNAL LOOPS.

OUTLINE DIMENSIONS



MODEL PS

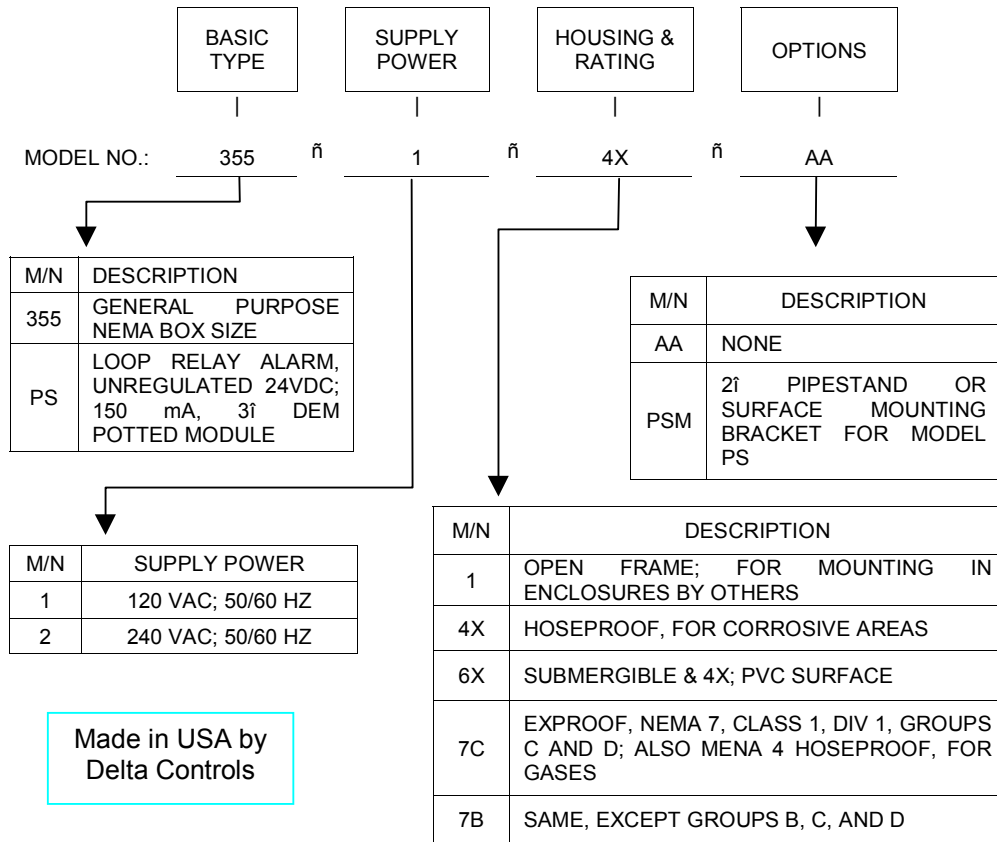
Mounted in a Delta Small Housing with Stacked Modules Requiring DC Power



MODEL 355

With a Nema Type Surface Mounted 4X Housing

MODEL NUMBERING SYSTEM



Made in USA by
Delta Controls

DELTA CONTROLS CORP
 Engineered Sensors ñ For Difficult Services
 585 Fortson Street
 Shreveport, La. 71107 - USA



Voice: 318-424-8471
 Fax: 318-425-2421
 E-mail: delta@deltacnt.com
 Web Site: http://www.deltacnt.com