

Optional Thermowell

**Description & Features:**

- Measures both pressure and temperature on the same dial
- 2.5" (63mm) and 3" (75mm) dials
- Dual scale (°F & °C)
- Back or bottom connection
- Brass wetted parts
- 1" (25mm), 2" (50mm) and 2.5" (63mm) stems
- Multiple pressure and temperature ranges available
- Can be used with TST thermowells
- Ranges are compliant to industry standard ASME Boiler Code Section IV HG-612
- 5 year warranty

**Applications:**

- Hot water and steam pressure for boilers

**Specifications**

Specifications	
<b>Dial</b>	2.5" (63mm), 3" (75mm) aluminum, painted white
<b>Case</b>	Steel, painted black
<b>Lens</b>	2.5" (63mm): Acrylic, threaded 3" (75mm): Glass
<b>Ring</b>	3" (75mm): Chrome
<b>Stem</b>	Brass
<b>Socket</b>	Brass
<b>Tube</b>	Phosphor bronze
<b>Movement</b>	Brass and phosphor bronze
<b>Sensing Element</b>	Temperature: Bi-metallic coil Pressure: Bourdon tube
<b>Pointer</b>	Aluminum, anodized black
<b>Welding</b>	Tin-alloy solder
<b>Pressure Limit</b>	75% of full scale range
<b>Ambient Temperature</b>	23°F to 122°F (-5°C to 50°C)
<b>Process Temperature</b>	75% of full scale range
<b>Accuracy</b>	Pressure: ±3-2-3% Temperature: ±3% of full scale
<b>Enclosure Rating</b>	IP50

**Order Codes (products in bold are normally stock in North America)**

Range	Dial	Connection	Stem Length	Code
0-75psi/kPa, 70°F to 320°F & 20°C to 160°C	2.5" (63mm)	1/4" NPT, Back	1" (25mm)	<b>TTD410</b>
0-75psi/kPa, 70°F to 320°F & 20°C to 160°C	2.5" (63mm)	1/4" NPT, Extension Back	2" (50mm)	<b>TTD401</b>
0-75psi/kPa, 70°F to 320°F & 20°C to 160°C	2.5" (63mm)	1/4" NPT, Back	2" (50mm)	<b>TTD404</b>
0-75psi/kPa, 70°F to 320°F & 20°C to 160°C	3" (75mm)	1/2" NPT, Bottom	2.5" (63mm)	<b>TTD403</b>
0-75psi/kPa, 70°F to 320°F & 20°C to 160°C	3" (75mm)	1/2" NPT, Back	2.5" (63mm)	<b>TTD402</b>
0-100psi/kPa, 70°F to 320°F & 20°C to 160°C	3" (75mm)	1/2" NPT, Bottom	2.5" (63mm)	<b>TTD409</b>
0-100psi/kPa, 70°F to 320°F & 20°C to 160°C	3" (75mm)	1/2" NPT, Back	2.5" (63mm)	<b>TTD408</b>
0-200psi/kPa, 70°F to 320°F & 20°C to 160°C	3" (75mm)	1/2" NPT, Bottom	2.5" (63mm)	<b>TTD405</b>
0-200psi/kPa, 70°F to 320°F & 20°C to 160°C	3" (75mm)	1/2" NPT, Back	2.5" (63mm)	<b>TTD407</b>
0-250psi/kPa, 70°F to 320°F & 20°C to 160°C	3" (75mm)	1/2" NPT, Bottom	2.5" (63mm)	<b>TTD399</b>
0-250psi/kPa, 70°F to 320°F & 20°C to 160°C	3" (75mm)	1/2" NPT, Back	2.5" (63mm)	<b>TTD398</b>

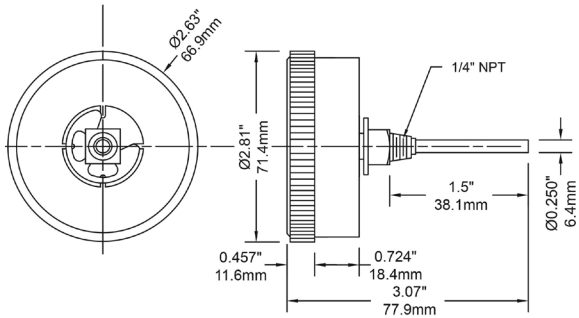
Other ranges, stem lengths, dial and connection sizes available upon request.

**Option suffix:**

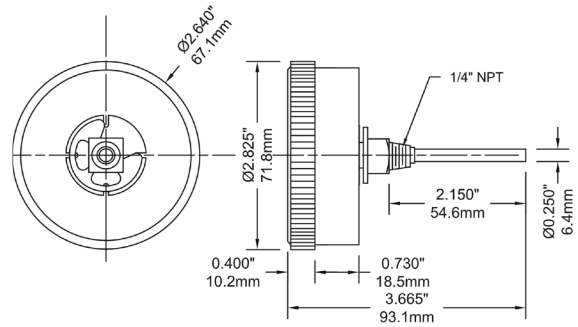
TST025 = 1/4" brass thermowell

TST050 = 1/2" brass thermowell

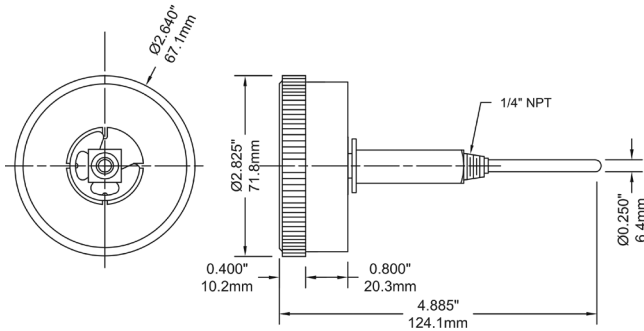
**2.5" Back Connection, 1" Stem**



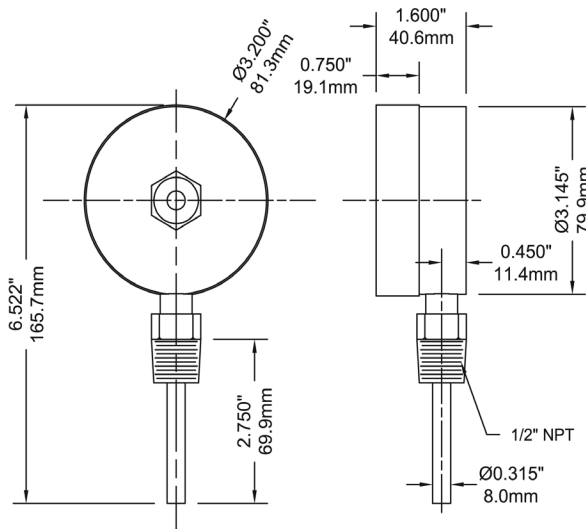
**2.5" Back Connection**



**2.5" Extension Back Connection**



**3" Bottom Connection**



**3" Back Connection**

