

Level measurement

Continuous level measurement
Accessories for level sensors

EA aiming devices

Application

EA 304 aiming device

The Easy Aimer 304 flange is a stainless steel aiming device for alignment of Siemens level sensors used for level measurement of bulk solids.

The sensor must be mounted aimed towards the low level draw point in the silo. The sensor can be rotated through 360° and angled at 0 to 27° off vertical. It must be mounted using an access plate with welded studs or a flange in order to isolate the mounting holes from the pressurized environment. When installed properly, the EA 304 aiming device is capable of withstanding pressures up to 0.5 bar (Europe) or 15 psi (North America). It can even be used in corrosive and aggressive environments.

EA 2 aiming device

The Easy Aimer 2 flange is a cast aluminum aiming device for alignment of Siemens level sensors.

The flange has graduated adjustments and an adjustable insertion length. When used for applications with bulk solids, the sensor is mounted so that it is aimed towards the lower level draw point in the silo. The sensor can be rotated through 360° and angled at 0 to 20° off vertical. It must be mounted using an access plate with welded studs or a flange in order to isolate the mounting holes from the pressurized environment. When installed properly, the EA 2 aiming device is capable of withstanding pressures up to 0.5 bar (Europe) or 15 psi (North America). It can even be used in corrosive and aggressive environments.

Selection and ordering data

Article No.

Easy aimer

Used on solids applications to aim level sensors for optimal performance. Available in a 304 stainless steel model, or a cast aluminum model.

Easy Aimer 2, aluminum with M20 adapter and 1" and 1½" BSPT aluminum couplings

7ML1830-1AX

Easy Aimer 304, with M20 adapter and 1" and 1½" BSPT 304 stainless steel couplings

7ML1830-1GN

Easy Aimer 2, aluminum, BSPT conduit

7ML1830-1AL

Easy Aimer 2, aluminum, NPT with 1½" galvanized coupling¹⁾

7ML1830-1AN

Easy Aimer 2, aluminum, NPT with 1" galvanized coupling

7ML1830-1AP

Easy Aimer 2, aluminum, NPT with ¾" x 1" PVC coupling

7ML1830-1AQ

Easy Aimer 304, BSPT conduit

7ML1830-1AS

Easy Aimer 304, NPT with 1½" stainless steel coupling¹⁾

7ML1830-1AT

Easy Aimer 304, NPT with 1" stainless steel coupling

7ML1830-1AU

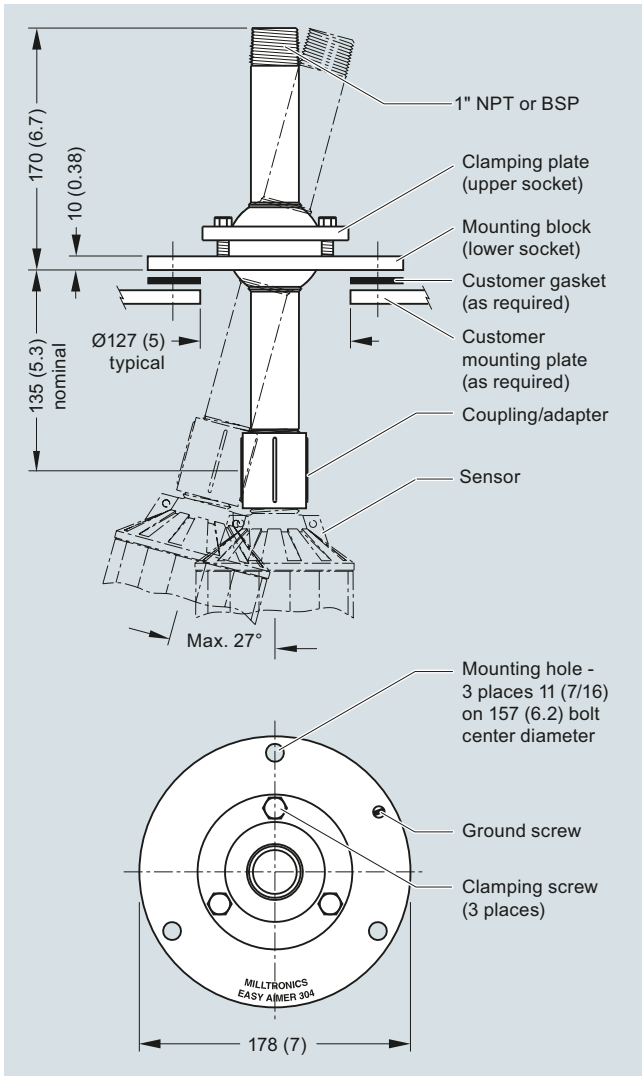
Operating Instructions

All literature is available to download for free, in a range of languages, at

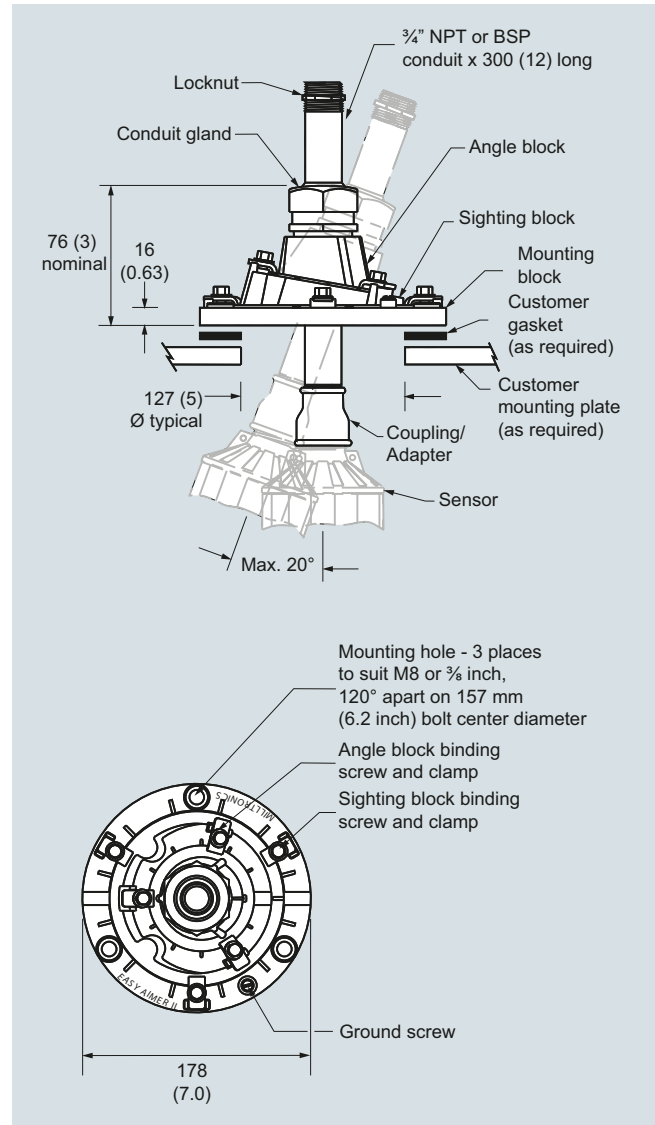
<http://www.siemens.com/processinstrumentation/documentation>

¹⁾ For use with XPS-30 transducers only.

Dimensional drawings



EA 304 aiming device, dimensions in mm (inch)



EA 2 aiming device, dimensions in mm (inch)