

DM20 [SERIES SPRING RETURN CARTRIDGES]

The SOLDO DM20 series is a spring return lever for manually operated valves. The spring returns valves to their fail-safe position when the lever is released

[DAMPENED LEVER SPEED]

The SOLDO DM20 features a unique dampened spring that reduces lever return speed and the potentially dangerous snap action, minimizing risk to the operator.

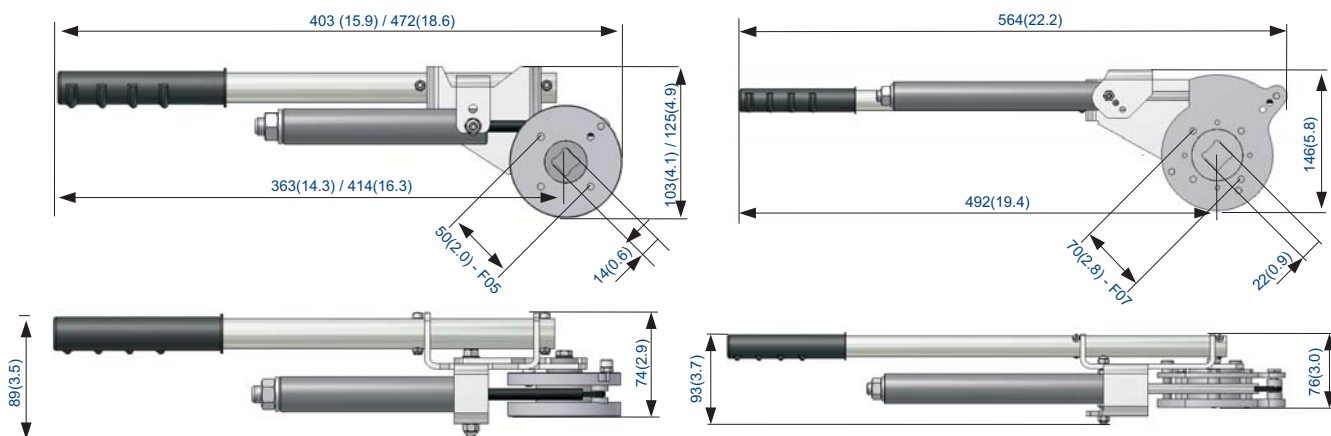
[ENVIRONMENT]

The SOLDO DM20 series is constructed with corrosion resistant materials for applications in harsh environments.

[STANDARDIZED MOUNTING]

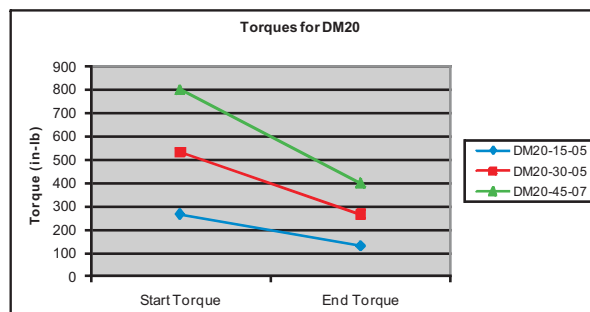
The DM20 mounting pattern conforms to the international dimensional standard ISO 5211 maximizing interchangeability and reduced hardware requirements

[DIMENSION mm(in)]



DM20-15-05 / DM20-30-05

DM20-45-07



[HOW TO ORDER]

DM20-15-05

spring end torque ISO 5211

15-05	133 in-lb	F05
30-05	266 in-lb	F05
45-07	400 in-lb	F07

[MATERIALS]

Body : anodized aluminium
 Lever : zinc plated carbon steel with rubber grip
 Screws and nuts : stainless steel
 Shaft : nickel plated carbon steel

[RAATINGS]

Temperature range: -4°F (-20°C) to 140°F (60°C)

SOLDO USA LLC

10178 International Blvd. - Cincinnati, Ohio 45246

tel. (513) 860-5465 - fax (513) 860-5464

e-mail: usa@soldo.net

SOLDO
CONTROLS

BULLETIN NUMBER: PS00074-03