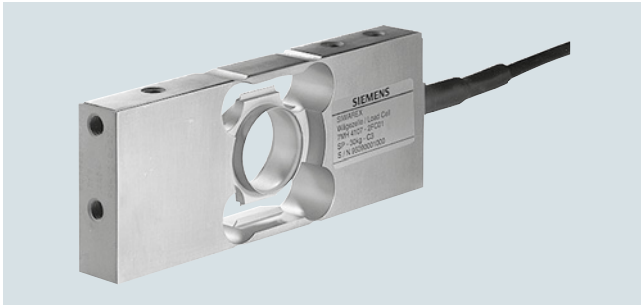


Overview



The SIWAREX WL260 SP-S SB platform load cell is excellently suited for use in platform scales with dimensions up to and including 350 x 350 mm (13.78 x 13.78 inch). It is approved for use in Class III commercial scales with maximum divisions of n_{\max} to 3 000d.

Design

The load cell is made of stainless steel and is hermetically sealed. The load cell meets the IP68 degree of protection.

Technical specifications

SIWAREX WL260 SP-S SB	
Possible applications	<ul style="list-style-type: none"> Platform scales Small belt scales
Type of construction	Single point load cell
Loads	
Rated load E_{\max}	<ul style="list-style-type: none"> 6 kg (13.23 lb) 12 kg (26.46 lb) 30 kg (66.14 lb) 60 kg (132.28 lb)
Minimum initial loading E_{\min}	0% E_{\max}
Maximum working load L_u	150% E_{\max}
Breaking load L_d	300% E_{\max}
Safe side load L_{iq}	100% E_{\max}
Measurement characteristic values	
Deflection h_n at E_{\max}	
• $E_{\max} = 6$ kg (13.23 lb)	0.24 ± 0.02 mm (0.009 ± 0.0008 in)
• $E_{\max} = 12$ kg (26.46 lb)	0.19 ± 0.01 mm (0.008 ± 0.0004 in)
• $E_{\max} = 30$ kg (66.14 lb)	0.15 ± 0.01 mm (0.006 ± 0.0004 in)
• $E_{\max} = 60$ kg (132.28 lb)	0.22 ± 0.03 mm (0.009 ± 0.0011 in)
Rated characteristic value C_n	2.0 ± 0.2 mV/V
Tolerance D_0 of zero signal	< ± 2.0% C_n
Maximum scale interval n_{1c}	3 000
Minimum scale interval V_{\min}	$E_{\max}/15\ 000$
• At $E_{\max} = 6 \dots 60$ kg (13.23 ... 132.28 lb)	
Combined error F_{comb}	≤ ± 0.02% C_n
Repeatability F_v	≤ ± 0.02% C_n
Creep error F_{cr}	
• 30 min	≤ ± 0.025% C_n
Temperature coefficient	
• Zero signal T_{K0}	0.009% $C_n/10$ °C (50 °F)
• Characteristic value T_{Kc}	0.009% $C_n/10$ °C (50 °F)
Electrical characteristic values	
Recommended reference voltage U_{ref}	5 ... 12 V DC
Input resistance R_e	400 Ω ± 20 Ω
Output resistance R_a	350 Ω ± 3.5 Ω
Insulation resistance R_{is}	5 000 MΩ at 50 V DC

SIWAREX WL260 SP-S SB

Connection and environmental conditions

Sensor material (DIN)	Stainless steel EN 1.4542
Maximum tightening torque of the fixing screws	10 Nm
Cable connection	
Function	Color
• EXC + (supply +)	Green
• EXC - (supply -)	Black
• SIG + (measured signal +)	White
• SIG - (measured signal -)	Red
• Sense + (sensor cable +)	Yellow
• Sense - (sensor cable -)	Blue
• Shield (not connected to the load cell body)	Transparent
Rated temperature range B_{Tn}	-10 ... +40 °C (14 ... 104 °F)
Operating temperature range B_{Tu}	-35 ... +65 °C (-31 ... +149 °F)
Storage temperature range B_{Ts}	-35 ... +65 °C (-31 ... +149 °F)
Degree of protection according to EN 60529; IEC 60529	IP68

Certificates and approvals

Accuracy class according to OIML R-60	C3
---------------------------------------	----

Selection and ordering data

Article No.

Load cell, type WL260 SP-S SB

Legal-for-trade according to OIML R-60 up to 3 000d, connecting cable 6 m (19.69 ft)

7MH5117-

■ ■ D 0 0

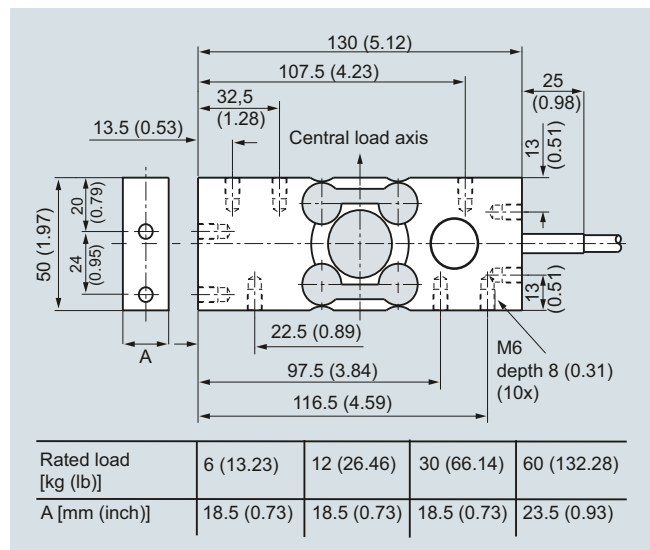
↗ Click on the Article No. for the online configuration in the PIA Life Cycle Portal.

Rated load

- 6 kg (13.23 lb)
- 12 kg (26.45 lb)
- 30 kg (66.14 lb)
- 60 kg (132.28 lb)

1 Q
2 B
2 K
2 Q

Dimensional drawings



SIWAREX WL260 SP-S SB load cell, dimensions in mm (inch)