

Model GC35 Digital Pressure Sensor



APPLICATIONS:

- *Hydraulic presses, stamping equipment, lifts*
- *Water/wastewater pressure control*
- *Water, refrigerant or ammonia based cooling systems*
- *Pressure monitoring on lubrication systems*

FEATURES:

- *Combined 3-in-1 digital pressure gauge, switch and transducer*
- *High overpressure capability*
- *All stainless steel wetted materials*
- *Simple "Push-Button" configurability allows user to adjust switch settings, analog scaling*
- *Rugged aluminum housing*

GloBand™ Display
Full 360° Visibility



User configurable LED light ring changes color with switch set points

PRODUCT SPECIFICATIONS

Analog Output (4-20mA):

Accuracy: $\pm 1.0\%$ FS (Accuracy includes the effects of linearity, hysteresis, repeatability, zero offset and span setting errors)
 Response Time: 30msec–10sec (by user)
 Output Resolution: $\pm 0.05\%$ FS
 Analog Scaling: User may configure analog output scaling to any range within -100 to +150% Full Scale of the sensor range

Pressure Switch Output:

Type: NPN or PNP open collector up to 80ma
 Setting Accuracy: $\pm 1.0\%$ FS
 Response Time: 5msec – 10.0 sec (by user)
 Hysteresis: Variable (by user)
 Switch Setting: User may adjust switch actuation & deadband to any points within Full Scale sensor range

Display:

Type: 4 digit, 8mm LED
 Accuracy: $\pm 1.0\%$ FS (URL) + last digit
 Display Update Rate: 200msec–10.0 sec (by user)
 Display Setting: User may re-configure display scaling, set to capture MIN or MAX value and adjust display update rate

Standard Ranges (Gauge):

0 to 50 psig, 100 psig, 150 psig, 300 psig, 500 psig, 1000 psig, 1500 psig, 3000 psig, 5000 psig, 7500 psig

Standard Ranges (Compound):

-15 to 75 psig, -15 to 150 psig -15 to 300 psig,

ENVIRONMENTAL SPECIFICATIONS

Temperature Limits:

Storage: -20 to 70°C (-4 to 158°F)
 Operating: -20 to 70°C (-4 to 158°F)
 Compensated: -20 to 70°C (-4 to 158°F)

Temperature Effects:

Zero/Span: $\pm 0.1\%$ FS/°C (from 23°C reference temp.)

Humidity: 0-85% RH (Ranges 150 psi & below)
 0-100% RH (Ranges 300 psi & above)

FUNCTIONAL SPECIFICATIONS

Proof Pressure 4X Range (ranges 1500 psi & below)
 2.5X Range (ranges 3000 psi & above)
 Burst Pressure: 10X Range (ranges 1500 psi & below)
 5X Range (ranges 3000 psi & below)
 3X Range (ranges 5000 psi & above)

Withstand Voltage: 350Vac 1 minute

Insulation Voltage: 50 Vdc 100M Ω min

CE Compliance: EN61326-1: 2006, EN61326-2-3: 2006

EU RoHS Compliance

Stability: $\pm 0.25\%$ FS/year

ELECTRICAL SPECIFICATIONS

Power Supply Requirements:

Supply Voltage: 16-36Vdc (with analog output option)
 11-36Vdc (switch output version only)

Current Consumption: 50mAdc max

Switch Contacts:

User selectable NPN or PNP open collector outputs

NPN Type: 30Vdc / 80mA (max)

PNP Type: Supply Voltage 80mA (max)

Voltage Drop 1Vdc (max)

MECHANICAL SPECIFICATIONS

Pressure Connection: ¼ NPT (Male)

Connection Location: Lower, back

Enclosure: Nickel plated aluminum

Rating: IP65 (ranges 150 psi and below)

IP67 (ranges 300 psi and above)

Electrical Connection: M12 connector (4 pin)

Weight: Approx. 150 grams

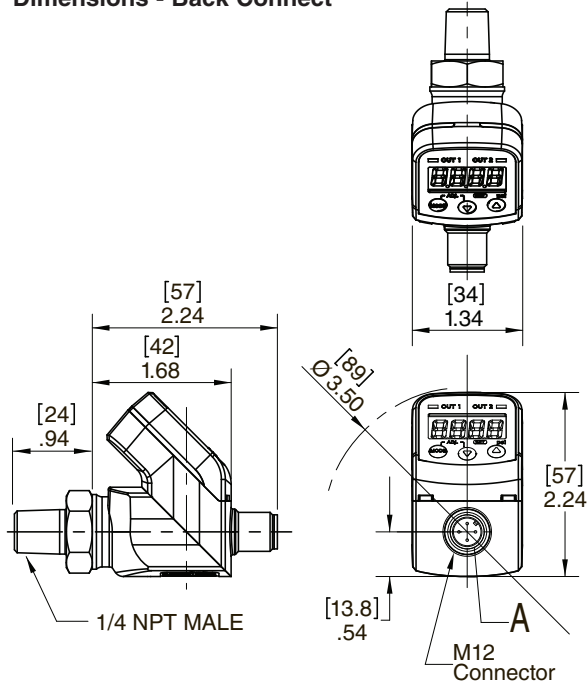
Media: Fluids and gases compatible with 316SS (sensor housing) and 17-4 pH SS (sensor diaphragm)



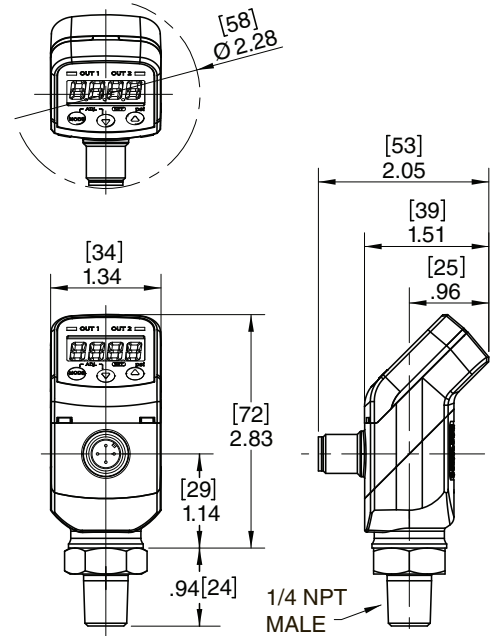
CE
 LOOK FOR THIS
 AGENCY MARK ON
 OUR PRODUCTS

Model GC35 Digital Pressure Sensor

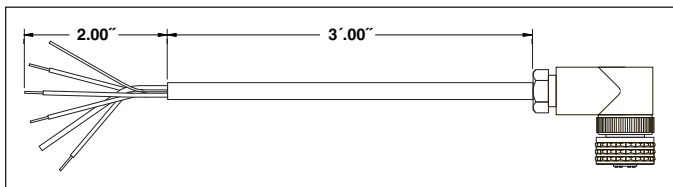
Dimensions - Back Connect



Lower Connect



M12 mating connector drawing 611C175-03 (90° Right Angle)



Wiring/Pin Out

Wiring/Pin Out	2 Switch (No 4-20mA)	1 Switch w/4-20mA Analog Output	Pin 611C175 cable wiring color
1	Power (+)	Power (+)	Red
2	Out 2	Analog (+) Output	White
3	Power (-)	Power (-) Analog Output	Green
4	Out 1	Out 1	Black

How To Order

G C 3 5	7						X
Type (GC35)	Accuracy (7) ±1.0%	Connection/Location (MO2L) ¼ NPT Male w/lower connect (MO2B) ¼ NPT Male w/back connect	Output Signal (41) 4-20mA & 1X switch (N2) 2X switch (no 4-20mA output)***	Electrical Connection* (EW) M12 Type (4pin)	Pressure Range**		Options (XRH) Traceable 9 Point Calibration Report
					Gauge: (50#G)-0/50 psig (100#G)-0/100 psig (150#G)-0/150 psig (300#G)-0/300 psig (500#G)-0/500 psig (1000#G)-0/1000 psig (1500#G)-0/1500 psig (3000#G)-0/3000 psig (5000#G)-0/5000 psig (7500#G)-0/7500 psig	Compound: (75#&V)-15 to 75 psig (150#&V)-15 to 150 psig (300#&V)-15 to 300 psig	

* To obtain M12 mating connector (3 ft. cable) order part number 611C175-03. Consult factory for alternative cable lengths made to order.
 ** Contact factory for other ranges.
 *** No analog (4-20mA) output.