

# rotork<sup>®</sup>

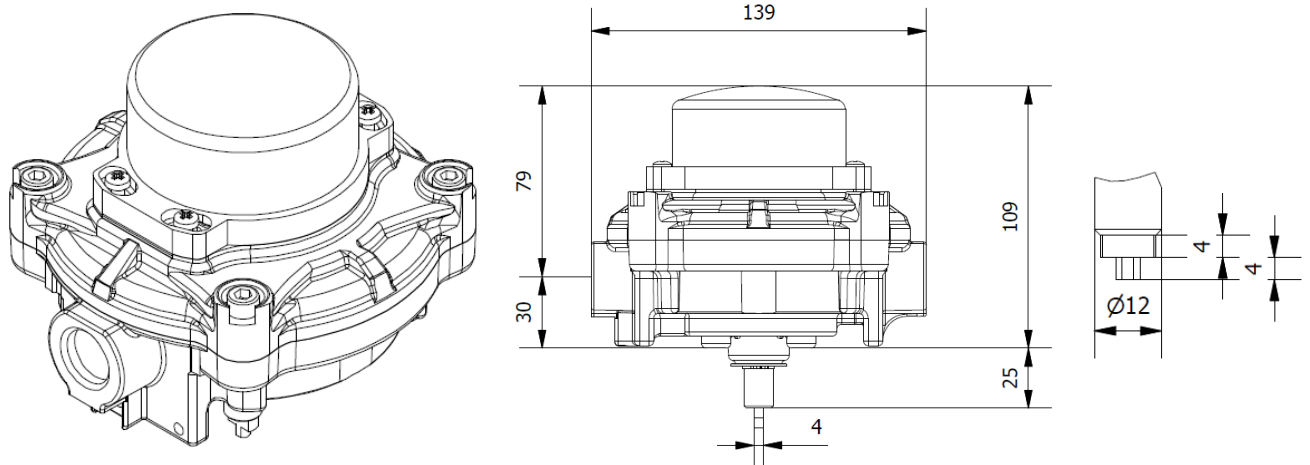
## Instruments



Dear Mr. Customer,  
 we are glad to communicate that our SK and SQ series will be matching, since current month, the NAMUR VDI VDE standards for mounting patterns.  
 Due to market requirements, to fulfill the above mentioned standards, and due to a new design with sintered bronze bushing (on SK product range), we are now introducing a longer shaft along all range.  
 This will allow you to use the same mounting kit for all other Soldo series and all Namur standard top mounted instrumentation, using the bottom ISO F05 pattern.

The new design will be also available, on request, with the famous “Flip and Slide” mounting kit system, allowing you to adapt the same mounting kit to all “rack and pinion” top mounting patterns combinations.  
 Different mounting holes and different pinion height, along the actuator offering range, are no more an issue.

### SK, SQ series dimensional drawing



Mounting kit code: KN07

