

# Fulflo® CP Multi-Cartridge Filter Vessel

Carbon steel, non-ASME code oil filter vessel

The Fulflo® CP multi-cartridge filter vessels are designed for high efficiency and economical operation in oil reclamation and maintenance applications. The vessel features the integrity of a swing bolt for fast, easy opening and closing. It comes with standard zinc plated bolts and legs for corrosion resistance.

The light, compact design makes the Fulflo CP easy to mount on equipment or on the floor to conserve space. The adjustable legs offer installation flexibility by allowing various inlet elevations and nozzle orientations. Wall mounting brackets are available as well.

The CP filter vessel series replaces the FPM filter vessel series.



## Contact Information

Parker Hannifin Corporation  
**Industrial Process Filtration - N.A.**  
118 Washington Avenue  
Mineral Wells, TX 76067

phone +1 940 325 2575  
industrialprocess.na@parker.com

[www.parker.com/industrialprocess](http://www.parker.com/industrialprocess)

## Benefits

- Single O-ring design closure assures quick, positive cover sealing
- Swing bolts for fast, and easy opening and closing of cover
- Commercial engineering design - Non-code
- Pivot pin cover allows cover to remain attached when opened
- Adjustable leg height
- Optional mounting wall bracket (P/N 0820-6005)

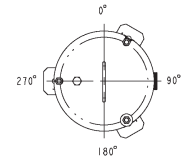
## Applications

- Hydraulic oils
- Quench Oils
- Engine & Compressor Lube Oils
- Cutting Oils
- Coolants
- EDM Liquids



ENGINEERING YOUR SUCCESS.

# Fulflo® CP Multi-Cartridge Filter Vessel



Material of Construction	Max. Allowable Pressure (MAP) (psi @ MAT °F)	Max. Allowable Temp. (MAT) (°F @ MAP psi)
Carbon Steel	175psi (12.1bar)	250°F (121°C)

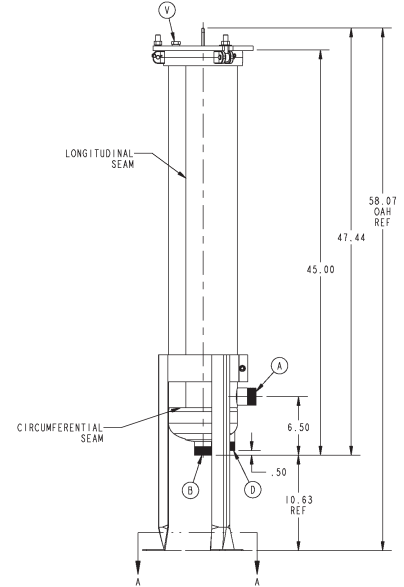
†Operating temperature limited to 250°F by standard Buna-N O-ring material and exterior paint.

## Cartridge Configurations

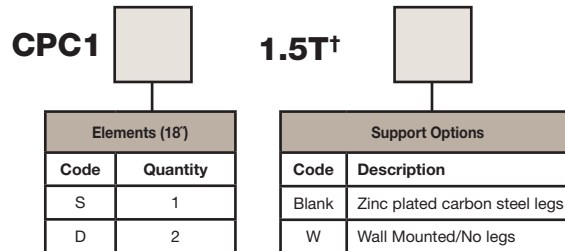
Filter Element	Series Number	Operating Temp.
Fulflo® Flo-Pac®	718, 736	250°F (121°C)
Fulflo® Flo-Pac® +		

Model	Number of 18" Elements Per Column	Typical Aqueous Flow† (gpm)	OAH	Shipping Weight (lbs)
CPC1S1.5T	1	30	40.66	58
CPC1D1.5T	2	60	58.06	75

†Actual flow rate is dependent of fluid viscosity, micron rating, contaminant and media type. Consult flow charts for each application.



## Ordering Information



†Male NPT

Example Part# Configuration for Orders (no dashes):

CPC1S1.5T  
CPC1D1.5TW

Specifications are subject to change without notification.  
For User Responsibility Statement, see [www.parker.com/safety](http://www.parker.com/safety)

© 2017 Parker-Hannifin Corporation  
Industrial Process Filtration - North America  
All Rights Reserved

Fulflo is a registered trademark of Parker-Hannifin Corporation  
Viton is a registered trademark of E.I. DuPont de Nemours & Co., Inc.



DS\_IP\_CP Vessel Rev. A