

Vacuum and Low Pressure Explosion Proof Pressure Switch

8WPS &
8WPSV



Description & Features:

- Heavy-duty Explosion-proof pressure switch
- Vacuum pressure to 10 psi
- High current ratings for 1 x SPDT or 2 x SPDT switches
- Fixed deadband
- Die cast aluminum construction with welded seal
- 1% accuracy
- IP68 rated including Hermetically sealed option
- cULus listed and cRU recognized
- CRN registration pending
- 5 year warranty

Applications:

- Suitable for vacuum and low pressure applications in hazardous areas including natural gas monitoring and control



Specifications

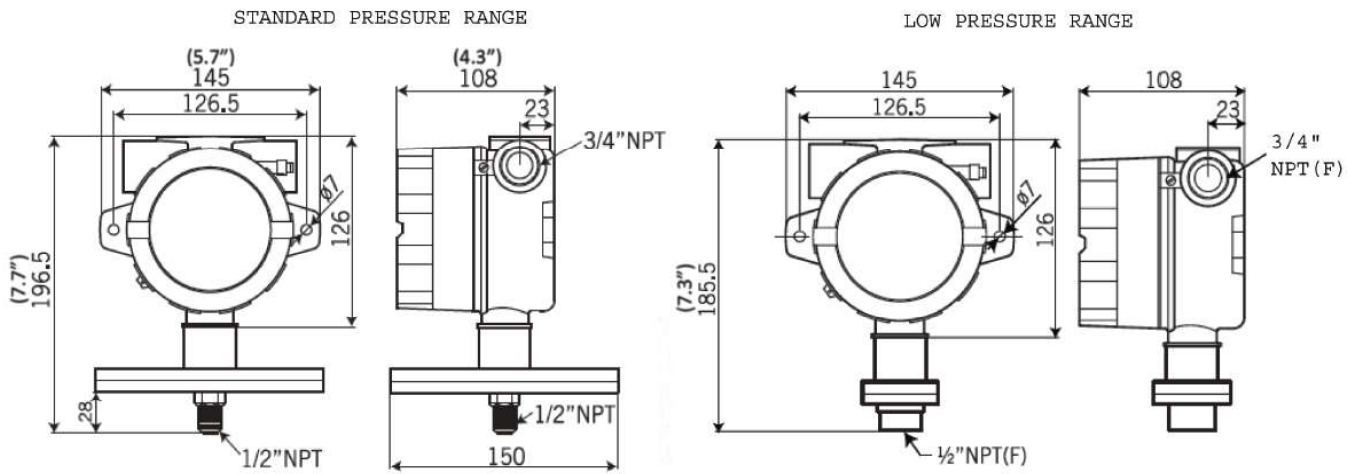
Housing	Heavy-duty explosion-proof die-cast aluminum, blue colour
Accuracy	+/- 1% of the adjustable set-point range
Pressure Connection	1/4" or 1/2" NPT, BSP and M20xP1.5
Electrical Connection	Female 1/2" or 3/4" NPT, M20xP1.5
Wetted Parts	316 Stainless Steel welded (except for Vacuum range, Viton o-ring)
Set Point Adjustment	Field selectable
Deadband	Fixed, see Order Codes
Contact Ratings	Fixed Deadband: 15A @ 125/250VAC, 0.4A @ 125VDC, 3A @ 30VDC Hermetically sealed switch 5A @ 250VAC Gold contact microswitch 1A @ 125/250VAC Adjustable Deadband: 20A @ 125/250/480VAC, 5A @ 125VDC
No. of Contacts	1 x SPDT or 2 x SPDT (only 1 x SPDT available for Adjustable Deadband range)
Ambient/Process Temperature	-30 to 205 deg C (-22 to 400 deg F), Vacuum range only -5 to 150 deg C (23 to 300 deg F)
Enclosure Rating	IP68 Protection from dust ingress and submersion in fresh water to a maximum depth of 1.5 metres for up to 30 minutes
Approvals	cULus listed, Class I Division 1 Groups A, B, C & D; Class II Division 1 Groups E, F & G (housing) cRU recognized, file no E12252 (switch) CRN registration pending
Weight	3.95 lbs (1.79 kg)

Vacuum and Low Pressure Explosion Proof Pressure Switch

Order Codes

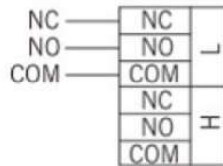
Adjustable Range PSI	Fixed Dead Band PSI	Proof Pressure PSI	3/4" NPT Electrical	
			1/4" NPT Process	1/2" NPT Process
-25 to -760 mmHg (-1.0 to -30" Hg)	10-20 mmHg (0.39 to 0.79" Hg)	1,000	8WPSV1306F4F301U	8WPSV1306F2F301U
0.05-1.8	0.015-0.3	500	8WPS0016F4F301U	8WPS0016F2F301U
0.4-2.8	0.2-0.5	500	8WPS0106F4F301U	8WPS0106F2F301U
0.4-5.0	0.3-0.6	500	8WPS0206F4F301U	8WPS0206F2F301U
1.6-9.8	42-100	500	8WPS0306F4F301U	8WPS0306F2F301U

Dimensions

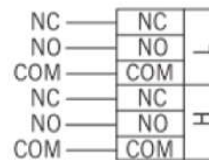


Wiring Schematic

1 x SPDT



2 x SPDT



Vacuum and Low Pressure Explosion Proof Pressure Switch

8WPS &
8WPSV

Engineering Code

SERIES

PRESSURE RANGES

Low Pressure, PSI

Pressure Range		Deadband	Proof Pressure PSI
Min	Max		
0.05	1.8	0.015-0.3	500
0.4	2.8	0.2-0.5	500
0.4	5.0	0.3-0.6	500
1.6	9.8	0.3-0.8	500

-25	-760	10-20	1,000

Vacuum, mmHg

WETTED PARTS

PROCESS CONNECTION

CONDUIT CONNECTION

SWITCH TYPE

HOUSING MATERIAL

OPTIONS

316 Stainless Steel, diaphragm welded (low pressure, standard)

316 Stainless Steel, Viton o-ring (vacuum, standard)

1/2" NPT Female

1/4" NPT Female

1/2" BSP Female

1/4" BSP Female

1/2" PT Female

1/4" PT Female

M20 X P1.5

3/4" NPT Female (standard)

1/2" NPT Female

M20 X P1.5

Micro Switch, 1 x SPDT

Micro Switch, 2 x SPDT (one setpoint)

Gold Contact, 1 x SPDT

Gold Contact, 2 x SPDT (one setpoint)

Hermetically Sealed Switch, 1 x SPDT

Hermetically Sealed Switch, 2 x SPDT (one setpoint)

cULus Listed, Hazardous locations

Custom Pressure Scale (R1=psi, R2=kPa, R3=kg/cm2, R4=cmH2O, R5=ftH2O, R6=inHg, R7=mmHg, R8=inH2O, R9=oz/IN2, R10=ATM, R11=bar, R12=mbar, R13=MPa, R14=mH2O, R15=mmH2O, R16=Pa)

Customer Specific (Numbers from Z01 to Z999)

