

Type 1127/1128 Differential Pressure Gauge



Type 1127 Shown

FEATURES

- 4½" & 6" dial size
- 316 Stainless steel Bourdon tube and sockets
- ASME B40.1 Grade 1A (2%-1%-2%).
- Black epoxy coated aluminum case and ring

The Ashcroft® Type 1127/1128 differential pressure gauges display the difference of two separate inputs on one dial indicator. The 1127/1128 is offered with "0" at the 12 o'clock position on the dial with positive pressure on either side of zero. The 1127/1128 has stainless Bourdon tubes. When the process media is corrosive to the gauge wetted parts, diaphragm seals with capillaries are available.

TEMPERATURE LIMITS

	Ambient	Process	Storage
Dry	-20/200°F (-29/93°C)	-20/250°F (-29/121°C)	-40/250°F (-40/121°C)

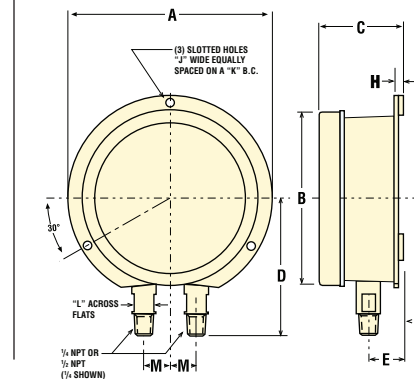
Note: Other than discoloration of the dial and hardening of the gasketing that may occur as ambient or process temperatures exceeds 150°F, non-liquid-filled gauges with standard glass windows, can withstand continuous operating temperatures up to 250°F (121°C). Accuracy at temperatures above or below the reference ambient temperature of 68°F (20°C) will be affected by approximately .4% per 25°F. Gauges with silver brazed joints will withstand 450°F (232°C) for short times without rupture, although other parts of the gauge will be destroyed and calibration will be lost. For continuous use and for process or ambient temperatures above 250°F (121°C), a diaphragm seal or capillary or siphon is recommended.

PRODUCT SPECIFICATIONS

Model Number:	1127/1128
Accuracy:	2%-1%-2% ASME Grade A
Case Style:	Open Front (dry only)
Case Material:	Cast Aluminum, Black Epoxy Coated
Dial Size:	4½" (45), 6" (60)
Dial Material & Color:	White Painted Aluminum with Black Markings
Ring Type:	Aluminum, Hinged, Black Epoxy Coated
Bourdon Tube Material:	316 SS (S) ⁽¹⁾
Socket Material:	316 SS (S) ⁽¹⁾
Connection Size:	¼ NPT only
Connection Location:	Lower (L), Back (B)
Range Limits:	10-1000 psi
Mounting:	Stem/Surface
Movement:	Bronze
Pointer:	Black
Window:	Glass
Warranty:	1 Year

⁽¹⁾ Joints welded

DIMENSIONS



Size Inches	A	B	C	D		E	F	G	H	J	K	L		M	Wgt. (Lbs.)
				¼ NPT	½ NPT							¼ NPT	½ NPT		
4½	5⅞	4⅜	2⅞	3⅞	4⅞	1	1⅞	1⅞	5/16	7/32	2⅞	9/16	1⅞	3/4	2.5
	(149)	(126)	(62)	(100)	(103)	(25)	(27)	(41)	(8)	(6)	(68)	(14)	(17)	(19)	
6	7⅞	6⅞	2½	4⅞	4⅞	1⅞	1⅞	1⅞	5/16	9/32	3⅞	9/16	1⅞	3/4	3.5
	(194)	(164)	(64)	(125)	(125)	(27)	(43)	(41)	(8)	(7)	(90)	(14)	(17)	(19)	

() are millimeters

45 1127/1128 PRODUCT CODING

Typical Code:

45	1127	SD*	02	L	100#	
SIZE	TYPE NUMBER	SYSTEM (Tube & Socket)	CASE DESIGN	PROCESS CONN. SIZE	CONNECTION LOCATION	RANGE (psi)
(45) 4½ (60) 6	1127 1128 ⁽¹⁾ (1) 0 at 12:00	Code Tube Socket (S) 316 SS 316 SS *Dry Gauge - Liquid Filled N/A	Description Open Front	Code NPT (02) ¼ Male	Code Description (L) Lower (B) Back	10 50 20 30 60 100 160 200 300 400 600 800 1000

All specifications are subject to change without notice.
 All sales subject to standard terms and conditions.
 © 2016 Ashcroft Inc. Rev.07/16

Ashcroft Inc., 250 East Main Street, Stratford, CT 06614 USA
 Tel: 203-378-8281 • Fax: 203-385-0408
 email: info@ashcroft.com • www.ashcroft.com

Type 1127/1128 Differential Pressure Gauge

STANDARD RANGES							
Pressure Range psid	Type 1127 (210° dial arc) ⁽¹⁾			Type 1128 (210° dial arc) ⁽¹⁾ Zero centered dial			
	Figure Interval	Minor Graduation	Static Pressure Limits*	Pressure Range psid	Figure Interval	Minor Graduation	Static Pressure Limit
0/10	2	0.2	30	5/0/5	2	0.2	30
0/15	3	0.5	30	10/0/10	2	0.2	30
0/20	5	0.2	30	15/0/15	5	0.5	60
0/30	5	0.5	45	30/0/30	10	1	120
0/60	10	1	120	50/0/50	10	1	200
0/100	10	1	200	80/0/80	20	2	300
0/160	20	2	300	100/0/100	20	2	300
0/200	20	2	300	150/0/150	50	5	450
0/300	50	5	450	200/0/200	50	5	600
0/400	50	5	600	300/0/300	100	10	900
0/600	100	10	900	400/0/400	100	10	1200
0/800	100	10	1200	500/0/500	100	10	1500
0/1000	100	10	1500				

*Maximum pressure that can be admitted into each Bourdon tube.

METRIC RANGES								
	PRESSURE RANGE		DIAL GRADUATIONS		RANGE	DIAL GRADUATIONS		Outer Range When Dual Range Specified psi
	kg/cm2	bar	Figure Interval	Minor Graduation	kPa (kilopascal)	Figure Interval	Minor Graduation	
Type 1127	0/1.4	0/1.4	0.2	0.02	0/140	20	2	0/20
	0/2	0/2	0.5	0.05	0/200	50	5	0/28
	0/4	0/4	0.5	0.05	0/400	50	5	0/55
	0/7	0/7	0.5	0.1	0/400	50	10	0/100
	0/11	0/11	2	0.2	0/1100	200	20	0/160
	0/14	0/14	2	0.2	0/1400	200	20	0/200
	0/20	0/20	5	0.5	0/2000	250	50	0/300
	0/28	0/28	5	0.5	0/2800	500	50	0/400
	0/40	0/40	5	0.5	0/4000	500	50	0/600
	0/56	0/56	10	1	0/5600	1000	100	0/800
	0/70	0/70	10	1	0/7000	1000	100	0/1000
Type 1128	0.7/0.7	0.7/0.7	0.2	0.02	70/0/70	20	2	10/0/10
	1/0/1	1/1	0.5	0.05	100/0/100	50	5	14/0/14
	2/0/2	2/2	0.1	0.01	200/0/200	50	5	28/0/28
	3.5/0/3.5	3.5/3.5	0.5	0.1	350/0/350	50	10	50/0/50
	5.5/0/5.5	5.5/5.5	2	0.2	550/0/550	200	20	80/0/80
	7/0/7	7/7	2	0.2	700/0/700	200	20	100/0/100
	10/0/10	10/10	5	0.5	1000/0/1000	250	50	150/0/150
	14/0/14	14/14	5	0.5	1400/0/1400	500	50	200/0/200
	20/0/20	20/20	5	0.5	2000/0/2000	500	50	300/0/300
	28/0/28	28/28	10	1	2800/0/2800	1000	100	400/0/400
	35/0/35	35/35	10	1	3500/0/3500	1000	100	500/0/500

⁽¹⁾Ranges less than 30psi have 100° dial arc.