

## 82 Threaded Isolation Ring

### FEATURES

- 360° instrument rotation and removal with Safe Quick Release™ (SQR™) option
- Process Connections ½ thru 2 NPT
- Selection of ½ or ¼ NPT instrument connection
- Non-clogging, low maintenance flow-thru design
- Ensures reliable and accurate pressure readings
- Attaches to a variety of instruments

### TYPICAL USES

- Water and wastewater
- Mining
- Pulp and paper
- Chemicals



### SPECIFICATIONS

Process connection: ½ thru 2 NPT

Flexible liner: Buna, EPDM, natural rubber, Viton®, PTFE

Flange material: 316SS, carbon steel, PVDF

Body Material: 316SS or carbon steel

Instrument

Connection Size: ¼ or ½ NPT

Pressure rating: 150 psi

### ATTACHMENT OPTIONS

Direct connection

Safe Quick Release™ (SQR™)

Needle valve

Needle valve & Safe Quick Release™ (SQR™)

### TEMPERATURE LIMITS

Liner process:	Buna-N	-30/225 °F (-34/107 °C)
	Viton	-15/350 °F (-25/177 °C)
	Natural rubber	-30/225 °F (-34/107 °C)
	EPDM	-40/300 °F (-40/149 °C)
Fill fluids:	Glycerin :	0/400 °F (-18/204 °C)
	Silicone (10Cst):	-40/500 °F (-40/260 °C)
	Halocarbon	-30/225 °F (-34/107 °C)

*Consult Factory for Additional Fluids*

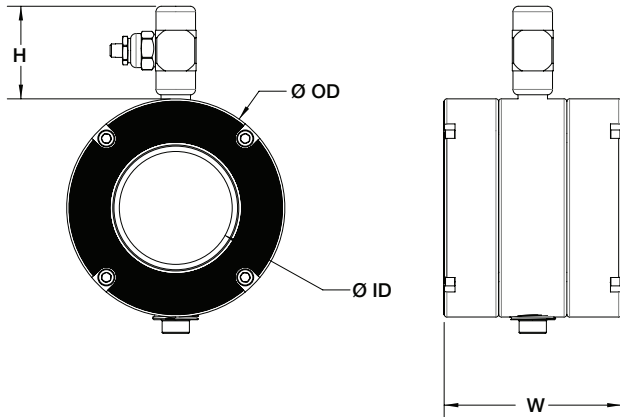
### KEY BENEFITS

- Protects instrumentation from clogging
- Short lead times
- Economical design
- Variety of fill fluids for every application

# Data Sheet

## 82 Threaded Isolation Ring

### DIMENSIONS (dimensions in inches)



Nom. Pipe Size	Inner Dia. (ID)	Outer Dia. (OD)	Width (W)	Flange Thread (NPT-TPI)	Height		
					(None)	(Valve)	(SQR)
½"	1.05	3.00	3.00	.5 - 14	0	1.70	2.04
1"	1.05	3.00	3.25	1 - 11.5			
1½"	1.61	3.50	3.25	1½ - 11.5			
2"	2.07	4.00	3.25	2 - 11.5			

### ORDERING CODE

Example:

82 50 E B B 02T N 000 CK

<b>Type</b>									
Threaded Isolation Ring	82								
<b>Size</b>									
½ NPT		50							
1 NPT		01							
1.5 NPT		15							
2 NPT		02							
<b>Inner Flexible Wall</b>									
Buna			E						
Viton			Y						
EPDM			P						
Natural Rubber			R						
PTFE (2 NPT only)			T						
<b>Flange Material</b>									
Carbon Steel				B					
Stainless Steel				S					
PVDF				F					
<b>Body Material</b>									
Carbon Steel					B				
Stainless Steel					S				
<b>Instrument Connection</b>									
¼ NPT						02T			
½ NPT						04T			
<b>Instrument Removal Option</b>									
Direct Mount (Standard)							N		
Needle Valve							V		
Safe Quick Release™ (SQR™)							Q		
Needle Valve and (SQR™)							Z		
<b>Flange Class</b>									
Not Applicable to Type 82								000	
<b>Fill Fluid (When attached to an instrument)</b>									
Silicone (50 cSt)									CK
Silicone (10 cSt)									DJ
Halocarbon									CF