

# Series GH

## High Pressure Filter for Compressed Air

- High Pressure Filter • Filtre à air comprimé • Filtro per aria compressa ad alta pressione
- Фильтр сжатого воздуха

**EN** | Operating Instructions


**FR** | Notice d'utilisation

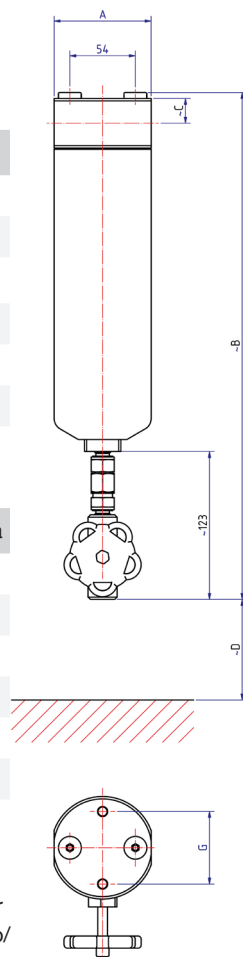
**IT** | Istruzioni per l'uso

**RU** | Инструкция по эксплуатации



## Dimensions and weight / Dimensions et poids / Dimensioni e peso / Габариты и вес

| Тип  | A<br>[mm] | B<br>[mm] | C<br>[mm] | D<br>[mm] | G<br>[mm] |  |
|--|-----------|-----------|-----------|-----------|-----------|---|
| Standard/ standard scope/ standard/ standard / стандартная             |           |           |           |           |           |   |
| <b>GH3</b>   | 80        | 355       | 25        | 100       | 60        | 2,8   |
| <b>GH5</b>   | 80        | 355       | 25        | 115       | 60        | 2,8   |
| <b>GH7</b>   | 80        | 420       | 25        | 185       | 60        | 3,4   |
| <b>GH9</b>   | 116       | 455       | 25        | 170       | 80        | 18,2  |
| <b>GH11</b>  | 116       | 540       | 25        | 270       | 80        | 21,9  |
| <b>GH12</b>  | 125       | 655       | 33        | 365       | 80        | 28,3  |
| <b>GH13</b>  | 125       | 910       | 33        | 560       | 80        | 39,2  |
| scope without drain/sans évacuateur/ senza scaricatore/ без разрядника |           |           |           |           |           |   |
| <b>GH3</b>   | 80        | 232       | 25        | 100       | 60        | 2,1   |
| <b>GH5</b>   | 80        | 232       | 25        | 115       | 60        | 2,1   |
| <b>GH7</b>   | 80        | 297       | 25        | 185       | 60        | 2,7   |
| <b>GH9</b>   | 116       | 332       | 25        | 170       | 80        | 17,6  |
| <b>GH11</b>  | 116       | 417       | 25        | 270       | 80        | 21,2  |
| <b>GH12</b>  | 125       | 532       | 33        | 365       | 80        | 27,7  |
| <b>GH13</b>  | 125       | 787       | 33        | 560       | 80        | 38,6  |



**D:** Minimum clearance for element change/ Ecartement minimal pour changement d'élément / Distanza min. per il cambio dell'elemento/ Минимальное расстояние для смены элемента

**G:** distance of mounting threads/ Distance entre les trous de support/ Distanza tra i supporti fori/ Расстояние между держателем отверстий

**Technical information / informations techniques / informazioni tecniche /  
Техническая информация**

|                 | <b>A</b> | <b>B*</b>         | <b>C**</b> | <b>D</b> | <b>E</b> | <b>F</b> | <b>TS min</b> | <b>TS max***</b> |
|-----------------|----------|-------------------|------------|----------|----------|----------|---------------|------------------|
|                 | G        | m <sup>3</sup> /h |            | G        | G        | G        | °C            | °C               |
| <b>100 bar</b>  |          |                   |            |          |          |          |               |                  |
| <b>GH3/100</b>  | 1/2i     | 188               | 1050_      | 1/4i     | 1/4i     | M8       | 1,5           | 80               |
| <b>GH5/100</b>  | 1/2i     | 268               | 1070_      | 1/4i     | 1/4i     | M8       | 1,5           | 80               |
| <b>GH7/100</b>  | 1/2i     | 469               | 1140_      | 1/4i     | 1/4i     | M8       | 1,5           | 80               |
| <b>GH9/100</b>  | 3/4i     | 681               | 2010_      | 1/4i     | 1/4i     | M10      | 1,5           | 80               |
| <b>GH11/100</b> | 1i       | 1203              | 2020_      | 1/4i     | 1/4i     | M10      | 1,5           | 80               |
| <b>GH12/100</b> | 1 1/2i   | 1857              | 2030_      | 1/4i     | 1/4i     | M10      | 1,5           | 80               |
| <b>GH13/100</b> | 1 1/2i   | 2787              | 2050_      | 1/4i     | 1/4i     | M10      | 1,5           | 80               |
| <b>350 bar</b>  |          |                   |            |          |          |          |               |                  |
| <b>GH3/350</b>  | 1/2i     | 365               | 1050_      | 1/4i     | 1/4i     | M8       | 1,5           | 80               |
| <b>GH5/350</b>  | 1/2i     | 501               | 1070_      | 1/4i     | 1/4i     | M8       | 1,5           | 80               |
| <b>GH7/350</b>  | 1/2i     | 776               | 1140_      | 1/4i     | 1/4i     | M8       | 1,5           | 80               |
| <b>GH9/350</b>  | 3/4i     | 1035              | 2010_      | 1/4i     | 1/4i     | M10      | 1,5           | 80               |
| <b>GH11/350</b> | 1i       | 1852              | 2020_      | 1/4i     | 1/4i     | M10      | 1,5           | 80               |
| <b>GH12/350</b> | 1 1/2i   | 2816              | 2030_      | 1/4i     | 1/4i     | M10      | 1,5           | 80               |
| <b>GH13/350</b> | 1 1/2i   | 4261              | 2050_      | 1/4i     | 1/4i     | M10      | 1,5           | 80               |

**A:** DIN ISO 228 (BSP-P)

**B\*:** 1 bar(a) , when compressed to 100 resp. 350 bar(e) / n référence à 20 °C, 1 bar(a), avec compression à 100 ou 350 bar(e) / in riferimento a 20° C, 1 bar(a), con compressione su 7 bar(e)/ при 20 °C, 1 бар (a), при давлении сжатия 100 или 350 бар (e)

**C\*\*:** Filter element, underscore to be replaced by element / Filtre élément, remplacez le soulignement par élément degrés / Elemento filtrante Sostituire il trattino basso con il grado dell'elemento / Фильтрующий элемент, замените подчеркивание элементом градусов

**D:** connection differential / liaison Manomètre différentiel / Manometro differenziale collegamento/ Манометр дифференциального давления подключение

**E:** connection drain / évacuateur de connexion / scaricatore collegamento / выпускное подключение

**F:** threads of mounting / Trous de fixation / Foro per il montaggio / Отверстия поддержки

**\*\*\*** expect activat cabron filter with max. 40°C / exempter filtre à charbon actif avec max. 40°C / eccetto filtro a carbone attivo con max. 40°C / исключая фильтр с активированным углем с макс. 40°C

## Series GH compressed air filters

Parker-dominik hunter high-pressure filter series GH are only designed for the high-pressure range 100 or 350 bar. Due to a wide spectrum of available element types, it is extremely versatile.

The filter elements ZP, XP and A are flown through from the inside to the outside. The strainer filter V and the cartridge flow the gas through from the outside to the inside.

### Scope of delivery

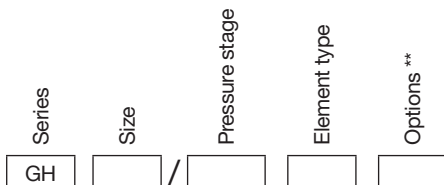
The filter is supplied with a manual drain as drain in the standard version. The filters are supplied in a ready to operate condition and can be installed directly into the pipe system. Filters of the **OA** variant are supplied without manual drain (needle valve) and cannot be operated without mounted accessories. Accessories that were ordered but are not described here come in separate packages and must be installed according to the respectively enclosed instructions.

### Target group

The present Operating Instructions are intended for specialists charged with installation, operation and maintenance of the filter. Such persons must be trained in handling pressure devices and have basic knowledge of how to handle pressure devices.

### Product ID

The product designation for series GH high-pressure filter is derived from the following codes:



Examples:

GH 7 / 100 XP

GH 11 / 350 ZP OA

Size 3, 5, 7, 9, 11, 12, 13

Element type

V (strainer filter)

ZL (fine filter)

XL (ultra-fine filter)

A (activated charcoal filter)

KTA, KTM, KTY (cartridge)\*

Options \*\* OA (without drain)

\* available for filter sizes GH3-GH9

\*\* only if not standard

### Intended use

The information on the type label must be observed. Non-observance of the data given there is regarded as improper use. The filters are suitable for filtering compressed air and (gaseous) nitrogen within the limits of the stipulated values.

### Impermissible applications

The filtration of critical fluids is not permitted. The filters must never be used for filtration of explosive, flammable or noxious gases of fluid group 1 according to Directive 2014/68/EU. Changes to the pressure vessels are not permitted. Modifications will endanger the operational safety and may cause damage or personal injury.

## Safety instructions

### Risk of injury from escaping compressed air!

Never remove any parts of the filter, or manipulate the same in any way, for as long as the filter is still pressurised! Suddenly escaping compressed air might cause serious injuries.

Depressurise the filter before carrying out any work on the filter.

### Hazard due to hot surfaces!

The fluids flowing through the filter can have a temperature of up to 80 °C (176 °F). This can heat up the filter housing.

Do not touch hot surfaces!

Wear safety gloves if applicable!

### Contamination hazard!

The filter housing and filter elements might be contaminated by the removed substances. For this reason, make sure to heed the safety data sheet of the used fluid! Wear protective clothing if applicable (gloves and breathing protection).

Dispose of all parts in compliance with applicable disposal regulations after removal or element change!

### Warning against damaging the cartridge!

Flowing the cartridge incorrectly may lead to damage!

Always flow the cartridge filter according to the direction arrow from the outside to the inside.

Install suitable particle filters in order to prevent the possible contamination of the upstream gas network.

## Notes on maintenance

Have repairs and maintenance only carried out by trained specialist personnel. Use only lubricants and spare parts recommended by the manufacturer.

### Accident prevention

Heed the specific accident prevention regulations, for example UVV/BGV in Germany.

Note the operating instructions issued by the owner.

## Transportation and storage



### Risk of collision and crushing injuries!

Inform yourself about the dead weight of the high-pressure filter (see page 2). Use appropriate auxiliary equipment for transporting.

Always transport a high-pressure filter in the way it was supplied to you, e.g., horizontally on a pallet.

Store the high-pressure filter in a dry place where it is protected against contamination and the effects of weather.

## Installation

### Prerequisites

Installation details depend on the local situation. Therefore, heed the following general hints:

- ▮ Check the filter for damage. Do not install or commission damaged filters.
- ▮ Depressurise the pipe before installation.
- ▮ Fit filter in a vertical position only.
- ▮ Observe the flow direction: the top section of the filter is marked with a direction arrow.
- ▮ Observe the dead weight of the filter and if necessary, install a support device. Design the support device so it can bear a filter completely filled with liquid.
- ▮ Make sure there is a direct connection to a safety device preventing maximum permissible limits (pressure and temperature) are exceeded.
- ▮ Always install the filter at the point of the pipe system where the temperature is lowest.
- ▮ Provide sufficient space below the filter for filter replacement (Table 2).
- ▮ When using a cartridge, install a suitable downstream filter.



Protective cap of the holding bore must only be removed for mounting a bracket (Fig 6 [3]) or protective device!


### Filter installation

The filter comes ready for operation, except option OA. When options were ordered, you must first mount these to the filter in line with the respective documentation.

- Depressurise the pipe section.
- Attach the support device if required
- Align the filter according to the flow direction and direction arrow (Fig.1).
- Integrate the filter into the pipe. Make sure there are no leaks and the filter is exactly vertical.
- Pressurise the pipe section again and check the filter for tightness and correct function.

### Mount the differential pressure gauge

The differential pressure gauge is connected in the flow direction from plus to minus (Fig. 5). When mounting, proceed as follows:


- Depressurise the pipe section.
  - Unscrew connecting screw (Fig 6 [2]).
  - Undo the screw-in plug (Fig. 5 [B]) of the pre-assembled differential pressure gauge and screw tight in the filter upper section using an open-ended spanner (40 Nm).
  - Align the differential pressure gauge with the plus side to the gas inlet side and place on the screw-in plug.
  - Tighten the union nut (Fig. 5 [A]) by hand and tighten with an open-ended spanner by an approx. 1/4 turn (Fig. 5).
-  Do not screw the union nut too tight otherwise damage will be caused to the differential pressure gauge!

## Operation

Avoid abrupt pressure rises or drops during filter operation. The filter can be damaged if the pressure rises or drops too fast.

## Maintenance

Always heed the prescribed service intervals. Proper operation of the filter cannot be warranted in case of non-compliance.

 Also renew the O-rings of both housings when changing each of the elements.

### Daily

Drain the condensate accumulated at regular intervals by opening the manual drain or using a condensation drain. The condensate quantity accumulating may have to be drained several times a day.

### Yearly

The filter elements **V**, **XP**, **ZP** must be changed at a pressure difference of 0.6 - 0.7 bar or after 1 year at the latest.

### If required

The activated carbon element **A** must be renewed every quarter (at the latest after approx. 1,500 operating hours).

The following factors can require a premature exchange:

- ▮ high temperatures,
- ▮ high oil mist concentration,
- ▮ high relative humidity.

This means you must perform regular measurements to determine the optimum exchange interval.

## Replacing the filter element

- Block compressed air supply to the filter.
- Depressurise the filter. If necessary, open the manual drain at the bottom of the filter for this purpose.



### Caution!

Depending on the size, the weight of the bottom filter section may be 35 kg! Secure the dead weight of the filter bottom section using a suitable protective device.

- Place the open-ended spanner on the square of the filter bottom section and unscrew the filter bottom section (Fig. 4).
- Unscrew the filter element clockwise from the threaded rod (Fig. 3).
- Clean the filter mount and the thread of the housing section.
- Renew the O-rings of both housings (Fig. 2).
- Lightly grease the thread area and the O-rings with the recommended assembly paste.



Recommended assembly paste:  
Rivolta G.W.F.

- Screw the new filter element including seal onto the threaded rod (Fig. 3).
- Screw the filter bottom section into the top section by 2 to 3 thread turns. In doing so, observe the ease of motion of the thread.
- Screw the filter bottom section until you can feel the resistance against the upper O-ring.



A gap as thin as paper must remain between the top and bottom section.

- Also close the manual drain and open the supply line to the filter (Fig. 4).
- Check the filter for tightness.
- Dispose of the filter element only according to the operating instructions.

## Accessories, loose

| Order No.        | Description   |
|------------------|---|
| HZD80/420RG      | calibrated analogue differential pressure gauge                     |
| HZDE80/420RG     | calibrated analogue differential pressure gauge with Reed contact   |
| EV05/640         | Manual drain (needle valve) PN640, G1/4i                            |
| MK/630-G08-G08   | Assembly kit G1/4a, PN630, for drain G1/4i                          |
| TRAP2/100-G230/P | Time controlled solenoid valve G1/4i, PN100, 2-55 °C, 230 VAC, IP65 |
| TRAP2/100-G115/P | Time controlled solenoid valve G1/4i, PN100, 2-55 °C, 115 VAC, IP65 |
| TRAP2/100-G24D/P | Time controlled solenoid valve G1/4i, PN100, 2-55 °C, 24 VDC, IP65  |
| TRAP2/350-G230/J | Time controlled solenoid valve G1/4i, PN350, 2-55 °C, 230 VAC, IP65 |
| TRAP2/350-G115/J | Time controlled solenoid valve G1/4i, PN350, 2-55 °C, 115 VAC, IP65 |
| TRAP2/350-G24D/J | Time controlled solenoid valve G1/4i, PN350, 2-55 °C, 24 VDC, IP65  |

## Spare and wear parts

| Order No.* | Description   |
|------------|---|
| 1050_      | Filter element for filter size GH3                                    |
| 1070_      | Filter element for filter size GH5                                    |
| 1140_      | Filter element for filter size GH7                                    |
| 2010_      | Filter element for filter size GH9                                    |
| 2020_      | Filter element for filter size GH11                                   |
| 2030_      | Filter element for filter size GH12                                   |
| 2050_      | Filter element for filter size GH13                                   |
| RKGH3-GH7  | 8 O-rings for filter housing GH3-GH7 (2 x required for each housing)  |
| RKGH9-GH13 | 8 O-rings for filter housing GH9-GH13 (2 x required for each housing) |
| KT1012_    | Cartridge for filter size GH3 and GH5                                 |
| KT1019_    | Cartridge for filter size GH7   |
| KT2016_    | Cartridge for filter size GH9   |

\* Replace the underline by element degree / filling

## Parts overview (for overview drawing on page 27)

| Pos. | Designation   |             |
|------|---|-------------|
| 1    | Differential pressure gauge (incl. seal and screwed connection) | Accessories |
| 2    | Plug screw  |             |
| 3    | Protective caps of the retaining bores                          |             |
| 4    | Filter top section  |             |
| 5    | Threaded rod  |             |
| 6    | Filter element with element seal                                | Consumable  |
| 7    | Housing O-rings   | Consumable  |
| 8    | Filter bottom section   |             |
| 9    | Assembly kit  | Accessories |
| 10   | Manual drain valve  | Accessories |



## Filtres à air comprimé Série GH

Les filtres haute pression Parker-dominik hunter de la série GH ont été conçus pour les plages de haute pression 100 ou 350 bars. Grâce au vaste spectre de types d'éléments disponibles, ils sont très polyvalents.

Les éléments filtrants ZP, XP et A sont traversés de l'intérieur par l'extérieur par le flux. Le filtre grossier V et la cartouche de l'extérieur par l'intérieur par le gaz.

### Etendue de la livraison

La version standard du filtre est fournie avec un écoulement manuel sous forme d'un purgeur. Les filtres sont livrés prêts à l'emploi et peuvent directement être installés dans le système de tuyauteries.

La version **OA** des filtres est livrée sans écoulement manuel (vanne à pointeau) et n'est pas opérationnelle tant que les accessoires n'ont pas été montés. En cas de commande d'accessoires non décrits, ces derniers sont livrés dans des emballages distincts et doivent être installés conformément aux instructions qui les accompagnent.

### Groupe cible

Les présentes instructions de service s'adressent aux spécialistes chargés du montage, de l'exploitation et de la maintenance du filtre. Ces personnes doivent être formées à l'utilisation d'appareils sous pression et disposer de connaissances fondamentales en ce qui concerne l'utilisation d'appareils sous pression.

### Clé produit

La désignation de produit des filtres haute pression de la série GH se compose des éléments suivants :

| Série | Taille constructive  | Étage de pression      | Type d'élément       | Options **           |
|-------|----------------------|------------------------|----------------------|----------------------|
| GH    | <input type="text"/> | / <input type="text"/> | <input type="text"/> | <input type="text"/> |

Exemples :

GH 7 / 100 XP

GH 11 / 350 ZP OA

Taille constructive 3, 5, 7, 9, 11, 12, 13

Type d'élément

V (filtre grossier)

ZP (filtre fin)

XP (filtre ultrafin)

A (filtre à charbon actif)

KTA, KTM, KTY (cartouche)\*

Options \*\* OA (sans purgeur)

\* disponibles pour les filtres aux dimensions GH3 à GH9

\*\* uniquement en cas de divergence de la version standard

### Utilisation conforme

Les indications de la plaque signalétique doivent impérativement être observées. Le non-respect des données qui y sont indiquées sera considéré comme non-conformité. Dans le cadre des valeurs limites définies, les filtres peuvent être utilisés sans restriction pour la filtration de l'air comprimé et de l'azote (gazeux).

### Applications non agréées

La filtration de fluides critiques n'est pas admissible. Les filtres ne doivent en aucun cas être utilisés pour la filtration de gaz explosibles, inflammables ou toxiques du groupe de fluides 1 selon la directive 97/23/CE. Toute modification des boîtiers sous pression est interdite. Les modifications peuvent entraver la sécurité de fonctionnement et entraîner des dommages ou blessures.

### Consignes de sécurité

#### Danger par échappement brusque de pression !

Ne jamais enlever des pièces du filtre ou y procéder à quelque manipulation que ce soit tant que le filtre est sous pression ! La pression qui s'échappe brusquement peut causer des blessures graves.

Avant d'effectuer tous travaux sur le filtre, il

faut dépressuriser ce dernier !

### **Danger – Surfaces chaudes !**

Les fluides qui traversent le filtre peuvent avoir une température de jusqu'à 80 °C (176 °F). Cela peut entraîner l'échauffement du boîtier du filtre.

Ne pas toucher les surfaces chaudes !

Si nécessaire, porter des gants de protection !

### **Danger par contamination!**

Le boîtier de filtre et les éléments filtrants sont dans certaines circonstances contaminés par des substances filtrées. Veuillez par conséquent impérativement observer les données de la fiche technique de sécurité du fluide utilisé ! Si nécessaire, porter des vêtements de protection (gants et protection respiratoire).

Après le démontage ou le changement d'un élément, éliminer toutes les pièces conformément aux prescriptions en matière d'élimination des déchets en vigueur !

### **Avertissement, détérioration de la cartouche !**

Un sens de circulation incorrect peut endommager la cartouche !

Toujours veiller à ce que les filtres à cartouche soient traversés dans le sens de la flèche, de l'extérieur vers l'intérieur.

Installer un filtre à particules adéquat afin de filtrer, le cas échéant, les impuretés du réseau de gaz en aval.

### **Indications sur l'entretien**

Les réparations et la maintenance sont strictement réservées au personnel spécialisé formé. Employez exclusivement les lubrifiants et pièces de rechange recommandés par le fabricant.

### **Prévoyance contre les accidents**

Veillez observer les prescriptions spécifiques de prévoyance contre les accidents en vigueur, par exemple UVV/BGV en Allemagne.

Observer les instructions de service de l'exploitant !

## **Transport et stockage**



### **Danger de collision et d'écrasement !**

Renseignez-vous à propos du poids à vide du filtre haute pression (voir page 2). Employez des dispositifs appropriés pour le transport.

Transportez toujours les filtres haute pression de la même manière qu'ils sont livrés, par exemple à la verticale sur une palette.

Stockez le filtre haute pression à un emplacement sec à l'abri des impuretés et des intempéries.


## **Montage**

### **Conditions requises**

Les détails sur le montage dépendent des conditions qui prévalent sur place. Veuillez observer les instructions fondamentales suivantes :

- S'assurer que le filtre n'est pas endommagé. Veiller à ne pas installer ou mettre en service un filtre endommagé.
- Dépressuriser la conduite avant le montage.
- Utiliser le filtre seulement verticalement.
- Observer le sens d'écoulement : la partie supérieure du filtre comporte une flèche.
- Tenir compte du poids à vide du filtre et, le échéant, monter un dispositif d'appui. Dimensionner le dispositif d'appui de manière à ce qu'il puisse maintenir un filtre complètement rempli de liquide.
- Veiller à ce qu'il existe une liaison directe avec un dispositif de sécurité qui empêche que les valeurs limites maximales admissibles (pression et température) soient dépassées.
- Installer le filtre par principe dans le système de tuyauteries à l'endroit où prévaut la température la plus basse.
- Prévoir suffisamment d'espace libre au-dessous du filtre pour le remplacement de l'élément filtrant (tableau 2).
- En cas d'utilisation d'une cartouche, installer

un filtre secondaire approprié.

-  Uniquement retirer les capuchons de protection des alésages d'appui pour le montage d'un support (figure 6 [3]) ou d'un dispositif d'appui !

### Montage du filtre

Le filtre est livré prêt à fonctionner, excepté pour l'option OA. Si vous avez commandé des options, vous devez d'abord monter ces dernières sur le filtre conformément aux informations dans la documentation correspondante.

- Dépressuriser la section de conduite.
- Si nécessaire, installer le dispositif d'appui.
- Aligner le filtre conformément au sens d'écoulement et à la flèche (figure 1).
- Monter le filtre dans la conduite. Veiller alors à ce que le raccord soit bien étanche et le filtre vertical.
- Remettre la section de conduite sous pression et s'assurer que le filtre est bien étanche et fonctionne correctement.

### Montage du manomètre à pression différentielle

Le manomètre à pression différentielle se raccorde dans le sens d'écoulement du plus au moins (figure 5). Pour le montage, procédez de la manière suivante :

- Dépressuriser la section de conduite.
- Dévisser les vis de fermeture (figure 6 [2]).
- Desserrer l'embout fileté (figure 5 [B]) du manomètre à pression différentielle prémonté puis le visser à demeure dans la partie supérieure du filtre à l'aide d'une clé à fourche (40 Nm).
- Orienter le manomètre à pression différentielle avec la face plus vers la face d'admission du gaz puis le déposer sur l'embout fileté.
- Serrer les écrous-raccords (figure 5 [A]) à la main puis les serrer à fond d'env. un quart de tour à l'aide d'une clé à fourche (figure 5).

-  Ne pas trop serrer les écrous-raccords,


le manomètre à pression différentielle risquerait sinon d'être détérioré !

## Service

En cours de service du filtre, éviter toute pressurisation ou chute de pression brusque. L'établissement ou la chute trop rapide de la pression peut entraîner l'endommagement du filtre.

## Maintenance

Veillez toujours observer la périodicité de maintenance prescrite. En cas de non-respect de cette consigne, le fonctionnement parfait du filtre ne peut être garanti.

 Remplacez également les deux joints toriques du boîtier à chaque fois que vous remplacez un élément.

### Quotidien

Vidangez régulièrement l'eau de condensation accumulée en ouvrant l'écoulement manuel ou à l'aide d'une décharge du condensat. En fonction de la quantité d'eau de condensation accumulée, il peut s'avérer nécessaire d'effectuer plusieurs vidanges par jour.

### Une fois par an

Les éléments filtrants **V**, **XP** et **ZP** doivent être remplacés en présence d'une pression différentielle de 0,6-0,7 bar ou au plus tard au bout d'un an.

### En cas de besoin

L'élément à charbon actif **A** doit être remplacé tous les trois mois (au plus tard après env. 1 500 heures de service).

Les facteurs suivants peuvent justifier d'un remplacement anticipé :

- ▮ températures élevées,
- ▮ haute concentration de vapeur d'huile,
- ▮ humidité relative élevée.

L'intervalle de remplacement optimal doit être déterminé en effectuant des mesures régulières.

### Remplacement de l'élément filtrant

- Bloquer la conduite d'alimentation vers le filtre.
- Dépressuriser le filtre. Pour ce faire, ouvrir l'écoulement manuel sur le bas du filtre.





#### Attention !

En fonction de la taille constructive, la partie inférieure du boîtier peut peser jusqu'à 35 kg ! Sécurisez le poids à

vide de la partie inférieure du filtre à l'aide d'un dispositif d'appui approprié.

- Appliquer la clé à fourche sur le carré de la partie inférieure du filtre puis dévisser la partie inférieure du filtre (figure 4).
- Dévisser l'élément filtrant de la tige filetée en le tournant dans le sens horaire (figure 3).
- Nettoyer le logement du filtre et les filetages des différentes parties du boîtier.
- Remplacer les deux joints toriques du boîtier (figure 2).
- Légèrement graisser la surface filetée et les joints toriques à l'aide de la pâte de montage recommandée.

 Pâte de montage recommandée : Rivolta GWF

- Visser un nouvel élément filtrant avec le joint et la tige filetée (figure 3).
- Visser la partie inférieure sur la partie supérieure en la tournant de 2 à 3 pas de filet. S'assurer ici de la souplesse du filetage.
- Visser la partie inférieure du filtre contre la résistance perceptible du joint torique du haut.
-  Un espace de l'épaisseur d'une feuille de papier doit rester libre entre la partie supérieure et la partie inférieure.
- Le cas échéant, fermer l'écoulement manuel puis ouvrir la conduite d'alimentation vers le filtre (figure 4).
- Vérifier l'étanchéité du filtre.
- Toujours mettre au rebut les éléments filtrants conformément aux instructions de service.

## Accessoires en vrac

| N° de comm.      | Description   |
|------------------|---|
| HZD80/420RG      | Manomètre à pression différentielle analogique calibré          |
| HZDE80/420RG     | Manomètre à pression différentielle calibré, avec contact Reed  |
| EV05/640         | Écoulement manuel (vanne à pointe) PN640, G1/4i                 |
| MK/630-G08-G08   | Kit de montage G1/4a, PN630, pour déflecteur G1/4i              |
| TRAP2/100-G230/P | Électrovanne synchronisée G1/4i, PN100, 2-55 °C, 230 V CA, IP65 |
| TRAP2/100-G115/P | Électrovanne synchronisée G1/4i, PN100, 2-55 °C, 115 V CA, IP65 |
| TRAP2/100-G24D/P | Électrovanne synchronisée G1/4i, PN100, 2-55 °C, 24 V CC, IP65  |
| TRAP2/350-G230/J | Électrovanne synchronisée G1/4i, PN350, 2-55 °C, 230 V CA, IP65 |
| TRAP2/350-G115/J | Électrovanne synchronisée G1/4i, PN350, 2-55 °C, 115 V CA, IP65 |
| TRAP2/350-G24D/J | Électrovanne synchronisée G1/4i, PN350, 2-55 °C, 24 V CC, IP65  |

## Pièces de rechange et d'usure

| N° de comm.* | Description   |
|--------------|---|
| 1050_        | Élément filtrant pour la taille de filtre GH3   |
| 1070_        | Élément filtrant pour la taille de filtre GH5   |
| 1140_        | Élément filtrant pour la taille de filtre GH7   |
| 2010_        | Élément filtrant pour la taille de filtre GH9   |
| 2020_        | Élément filtrant pour la taille de filtre GH11  |
| 2030_        | Élément filtrant pour la taille de filtre GH12  |
| 2050_        | Élément filtrant pour la taille de filtre GH13  |
| RKGH3-GH7    | 8 joints toriques pour boîtiers de filtre GH3 à GH7 (2 joints sont respectivement requis pour chaque boîtier) |
| RKGH9-GH13   | 8 joints toriques pour boîtiers de filtre GH9 à GH13  |
| KT1012_      | Cartouche pour les tailles de filtre GH3 et GH5   |
| KT1019_      | Cartouche pour la taille de filtre GH7  |
| KT2016_      | Cartouche pour la taille de filtre GH9  |

\* Remplacer le tiret bas par le degré / la distribution de l'élément

## Vue d'ensemble des composants (cf. plan d'ensemble 27)

| N° | Désignation  |               |
|----|--|---------------|
| 1  | Manomètre différentiel (y compris joint d'étanchéité et raccord à vis) | Accessoires   |
| 2  | Bouchon fileté   |               |
| 3  | Capuchons de protection des alésages d'appui                           |               |
| 4  | Partie supérieure du filtre  |               |
| 5  | Tige fileté  |               |
| 6  | Élément filtrant avec garniture d'étanchéité                           | Pièce d'usure |
| 7  | Joints toriques pour le boîtier  | Pièce d'usure |
| 8  | Partie inférieure du filtre  |               |
| 9  | Kit de montage   | Accessoires   |
| 10 | Décharge manuelle  | Accessoires   |

## Filtri dell'aria compressa della serie GH

I filtri per alte pressioni Parker-dominik hunter serie GH sono progettati per alte pressioni comprese tra 100 e 350 bar. Sono utilizzabili con grande versatilità grazie all'ampio spettro di tipologie di elementi disponibili.

Gli elementi filtranti ZP, XP e A vengono attraversati dal flusso dall'interno verso l'esterno. Il gas attraversa il filtro grossolano V e la cartuccia dall'esterno all'interno.

### Volume di consegna

Il filtro viene consegnato in versione standard con uno scarico manuale che funge da scaricatore. I filtri vengono consegnati pronti per l'uso e possono essere installati direttamente nel sistema di tubazioni.

I filtri nella versione **OA** vengono forniti senza scarico manuale (valvola ad ago) e non sono pronti per l'uso se non sono dotati dei rispettivi accessori. Accessori non descritti eventualmente inclusi nell'ordinazione vengono forniti in imballaggi separati e devono essere installati in conformità delle rispettive istruzioni allegate.

### Destinatari

Le presenti istruzioni per l'uso sono state redatte per gli esperti addetti al montaggio, al servizio ed alla manutenzione del filtro. Tali persone devono essere state addestrate in merito all'impiego di apparecchi a pressione, nonché disporre delle conoscenze basilari necessarie per l'impiego di questi apparecchi.

## Codice del prodotto

La designazione di prodotto dei filtri per alte pressioni della serie GH si basa sui seguenti codici d'identificazione:

| Serie | Dimensioni           | Livello di pressione   | Tipo di elemento     | Opzioni **           |
|-------|----------------------|------------------------|----------------------|----------------------|
| GH    | <input type="text"/> | / <input type="text"/> | <input type="text"/> | <input type="text"/> |

Esempi:

GH 7 / 100 XP

GH 11 / 350 ZP OA

Dimensioni 3, 5, 7, 9, 11, 12, 13

Tipo di elemento V (filtro grossolano)  
 ZP (filtro a maglia fine)  
 XP (microfiltro)  
 A (filtro a carboni attivi)  
 KTA, KTM, KTY (cartuccia)\*

Opzioni \*\* OA (senza scaricatore)

\* disponibili per filtri di dimensioni GH3-GH9

\*\* solo se diverge dallo standard

## Impiego conforme all'uso previsto

È obbligatorio rispettare i dati riportati sulla targhetta. Il mancato rispetto di tali dati viene considerato come un impiego non conforme allo scopo previsto. Nell'ambito dei valori limite stabiliti i filtri possono essere impiegati senza riserve per la filtrazione di aria compressa e di azoto (allo stato gassoso).

### Applicazioni non ammissibili

Non è ammessa la filtrazione di fluidi critici. I filtri non devono in alcun caso essere impiegati per la filtrazione di gas esplosivi, infiammabili o tossici appartenenti al gruppo di fluidi 1 secondo la direttiva 97/23/CE. È vietato apportare modifiche ai corpi di mandata. Tali modifiche possono pregiudicare l'affidabilità e causare danni materiali o lesioni.

## Avvisi sulla sicurezza

### Pericolo di improvvisa fuoriuscita di aria compressa!

Non rimuovere mai le parti del filtro o effettuare manipolazioni di alcun genere quando il filtro è ancora sotto pressione! La fuoriuscita improvvisa di aria compressa può causare gravi lesioni.

Scaricare pertanto la pressione dal filtro prima di eseguire qualsiasi intervento sul filtro.

### Pericolo in caso di contatto con le superfici soggette ad alte temperature!

I fluidi che attraversano il filtro possono raggiungere una temperatura di 80°C (176°F) e riscaldare di conseguenza il corpo del filtro.

Non toccare le superfici calde!

Indossare eventualmente guanti protettivi!

### Pericolo di contaminazione!

I corpi dei filtri e gli elementi filtranti sono eventualmente contaminati con le sostanze filtrate. Per questo motivo si devono rispettare in ogni caso i dati riportati sulla scheda di sicurezza del fluido utilizzato! Indossare eventualmente indumenti protettivi (guanti e protezione delle vie respiratorie).

Dopo lo smontaggio o la sostituzione dell'elemento si deve provvedere affinché tutte le parti vengano smaltite in conformità alle vigenti norme!

### Avvertenza relativa al danneggiamento della cartuccia!

Un senso errato di attraversamento della cartuccia da parte del flusso può provocare danni! Far attraversare il filtro della cartuccia sempre dall'esterno all'interno, come indicato dalla freccia.

Installare un filtro a particelle idoneo per prevenire eventuali impurità della rete a gas a valle.

## Avvertenze sulla manutenzione

Riparazioni e manutenzione devono essere affidate esclusivamente a personale specializzato addestrato. Utilizzate soltanto i lubrificanti e i ricambi consigliati dal costruttore.

## Prevenzione degli infortuni

Rispettare le specifiche norme sulla prevenzione degli infortuni: in Germania vige per esempio la UVV/BGV [norme sulla prevenzione degli infortuni / prescrizioni delle mutue assicuratrici].

Rispettare le istruzioni operative redatte dall'utilizzatore!

## Trasporto e stoccaggio



### Pericolo di urto e schiacciamento!

Informatevi sul peso proprio dei filtri per alte pressioni (vedere pag. 2). Utilizzate appositi attrezzi per il trasporto.


Trasportate sempre il filtro per alte pressioni così come è stato consegnato, ad esempio in posizione orizzontale su un pallet.

Stoccate il filtro per alte pressioni in un luogo asciutto e protetto da eventuali fonti di inquinamento e dagli agenti atmosferici.

## Montaggio

### Premesse

Le singole operazioni di montaggio variano a seconda delle condizioni locali. Rispettare in ogni caso i seguenti avvisi basilari sulla sicurezza:

- ▮ Verificare che il filtro non abbia subito danneggiamenti. filtro. Non installare o mettere in funzione filtri danneggiati.
  - ▮ Prima del montaggio si deve scaricare la pressione presente nella tubazione.
  - ▮ Il filtro va installato soltanto in posizione verticale.
  - ▮ Fare attenzione alla direzione del flusso: la parte superiore del filtro è contrassegnata da una freccia direzionale.
  - ▮ Tenere conto del peso proprio del filtro e montare ev. un dispositivo di supporto. Il dimensionamento del dispositivo di supporto deve essere tale da poter sostenere un filtro completamente pieno di liquido.
  - ▮ Assicurarsi che sia presente un collegamento diretto con un dispositivo di sicurezza in grado di evitare il superamento dei massimi valori limite ammissibili (pressione e temperatura).
  - ▮ Il montaggio del filtro nel sistema di tubazioni deve aver luogo sempre nel punto con la temperatura più bassa.
  - ▮ Provvedere affinché sotto al filtro vi sia sufficiente spazio libero per il cambio dell'elemento filtrante (tabella 2).
  - ▮ Se si utilizza una cartuccia, installare sempre un filtro di sicurezza a valle idoneo.
-  Togliere i tappi di protezione dei fori di supporto soltanto per montare un fissaggio (Fig. 6 [3]) o un dispositivo di sostegno!


### Montaggio del filtro

Il filtro viene fornito pronto per l'uso, fatta eccezione per l'opzione OA. Gli accessori opzionali eventualmente ordinati vanno montati dapprima secondo le istruzioni contenute nella rispettiva documentazione.

- Scaricare la pressione dal tratto di tubazione.
- Montare un dispositivo di supporto, ove necessario.
- Allineare il filtro in base alla direzione del flusso e alla freccia direzionale (Fig. 1).
- Montare il filtro nella tubazione. Durante questa operazione occorre fare attenzione all'ermeticità del raccordo filettato ed al posizionamento verticale del filtro.
- Ripressurizzare il tratto di tubazione e verificare l'ermeticità ed il corretto funzionamento del filtro.

### Montare il manometro differenziale

Il manometro differenziale è collegato dal polo positivo a quello negativo nel senso del flusso (Fig. 5). Durante il montaggio procedete nel seguente modo:

- Scaricare la pressione dal tratto di tubazione.
  - Svitare le viti di chiusura (Fig. 6 [2]).
  - Allentare i perni filettati (Fig. 5 [B]) dal manometro differenziale precedentemente montato e avvitare saldamente nella parte superiore del filtro con una chiave a forchetta (40Nm).
  - Allineare il manometro differenziale con il lato positivo verso il lato di ingresso del gas e poggiarlo sui perni filettati.
  - Serrare a mano i dadi per raccordi (Fig. 5 [A]) e stringerli di circa 1/4 di giro con una chiave a forchetta (Fig. 5).
-  Non stringere troppo i dadi per evitare di danneggiare il manometro differenziale!



## Impiego

Evitare brusche pressurizzazioni o cadute di pressione durante l'impiego del filtro. Un aumento o una riduzione troppo veloce della pressione può danneggiare il filtro.

## Manutenzione

Rispettare i prescritti intervalli di manutenzione. In caso contrario non è più garantito il corretto funzionamento del filtro.



Ogni volta che cambiate un elemento, sostituite anche entrambi gli o-ring del corpo.

## Quotidianamente

Svuotate periodicamente la condensa accumulata aprendo lo scarico manuale oppure con un scaricatore di condensa. A seconda della quantità di condensa presente, può essere necessario svuotare più volte al giorno.

## Annuale

Gli elementi filtranti **V**, **XP**, **ZP** devono essere sostituiti al raggiungimento di una pressione differenziale di 0,6-0,7 bar e/o al più tardi dopo 1 anno.

## Secondo il fabbisogno

L'elemento a carboni attivi **A** deve essere sostituito ogni trimestre (al più tardi dopo circa 1.500 ore di servizio).

I seguenti fattori possono richiedere una sostituzione precoce:

- ▮ temperature elevate,
- ▮ elevato tenore di vapori di olio,
- ▮ elevata umidità relativa.

L'intervallo di sostituzione ottimale va determinato in base a misurazioni costanti.

## Sostituzione dell'elemento filtrante

- Chiudere la condotta di alimentazione verso il filtro.
- Scaricare la pressione dal filtro. Per fare questo, aprire ev. lo scarico manuale in basso sul filtro.



### Attenzione!

A seconda delle dimensioni costruttive il peso della parte inferiore del corpo può arrivare fino a 35 kg! Assicurate il peso proprio della parte inferiore del filtro mediante un dispositivo di supporto idoneo.

- Applicare la chiave a forchetta alla parte quadrata della parte inferiore del filtro e svitare quest'ultima (Fig. 4).
- Svitare l'elemento filtrante in senso orario dalla barra filettata (Fig. 3).
- Pulire la sede del filtro e la filettatura delle parti del corpo.
- Sostituire entrambi gli o-ring del corpo (Fig. 2).
- Ingrassare leggermente la superficie filettata e gli o-ring con la pasta per montaggio consigliata.



Pasta per montaggio consigliata: Rivolta GWF

- Avvitare il nuovo elemento filtrante comprensivo di guarnizione sulla barra filettata (Fig. 3).
- Avvitare la parte inferiore del filtro con 2 o 3 passi di filettatura nella parte superiore. In tal caso fare attenzione alla scorrevolezza della filettatura.
- Avvitare la parte inferiore del filtro mentre l'o-ring superiore fa resistenza in modo avvertibile.



Dovrebbe restare una luce dello spessore di un foglio di carta tra la parte superiore e quella inferiore.

- Chiudere eventualmente lo scarico manuale e aprire la linea di alimentazione al filtro (Fig. 4).
- Controllare la tenuta stagna del filtro.
- Smaltire gli elementi filtranti soltanto in base alle istruzioni per l'uso.

## Accessori, sciolti

| N° di ord.       | Descrizione  |
|------------------|--|
| HZD80/420RG      | manometro differenziale analogico calibrato                      |
| HZDE80/420RG     | manometro differenziale analogico calibrato, con contatto Reed   |
| EV05/640         | scarico manuale (valvola ad ago) PN640, G1/4i                    |
| MK/630-G08-G08   | kit di montaggio G1/4a, PN630, per scaricatore G1/4i             |
| TRAP2/100-G230/P | elettrovalvola temporizzata G1/4i, PN100, 2-55 °C, 230 VAC, IP65 |
| TRAP2/100-G115/P | elettrovalvola temporizzata G1/4i, PN100, 2-55 °C, 115 VAC, IP65 |
| TRAP2/100-G24D/P | elettrovalvola temporizzata G1/4i, PN100, 2-55 °C, 24 VDC, IP65  |
| TRAP2/350-G230/J | elettrovalvola temporizzata G1/4i, PN350, 2-55 °C, 230 VAC, IP65 |
| TRAP2/350-G115/J | elettrovalvola temporizzata G1/4i, PN350, 2-55 °C, 115 VAC, IP65 |
| TRAP2/350-G24D/J | elettrovalvola temporizzata G1/4i, PN350, 2-55 °C, 24 VDC, IP65  |

## Parti di ricambio e soggette a usura

| N° di ord.* | Descrizione  |
|-------------|--|
| 1050_       | Elemento filtrante per filtri di dimensione costruttiva GH3            |
| 1070_       | Elemento filtrante per filtri di dimensione costruttiva GH5            |
| 1140_       | Elemento filtrante per filtri di dimensione costruttiva GH7            |
| 2010_       | Elemento filtrante per filtri di dimensione costruttiva GH9            |
| 2020_       | Elemento filtrante per filtri di dimensione costruttiva GH11           |
| 2030_       | Elemento filtrante per filtri di dimensione costruttiva GH12           |
| 2050_       | Elemento filtrante per filtri di dimensione costruttiva GH13           |
| RKGH3-GH7   | 8 o-ring per il corpo dei filtri GH3-GH7 (necessari 2 pezzi per corpo) |
| RKGH9-GH13  | 8 o-ring per il corpo dei filtri GH3-GH7 (necessari 2 pezzi per corpo) |
| KT1012_     | Cartuccia per filtri di dimensione costruttiva GH3 e GH5               |
| KT1019_     | Cartuccia per filtri di dimensione costruttiva GH7                     |
| KT2016_     | Cartuccia per filtri di dimensione costruttiva GH9                     |

\* Sostituire il trattino basso con il grado dell'elemento/portata

## Panoramica dei componenti (vedere disegno d'insieme a pagina 27)

| Pos. | Designazione   |                        |
|------|--|------------------------|
| 1    | Manometro differenziale (incl. guarnizione e raccordo filettato) | Accessori              |
| 2    | Tappo a vite   |                        |
| 3    | Tappi di protezione dei fori di sostegno                         |                        |
| 4    | Parte superiore del filtro                                       |                        |
| 5    | Asta filettata   |                        |
| 6    | Elemento filtrante con relativa guarnizione                      | Parte soggetta a usura |
| 7    | O-ring del corpo   | Parte soggetta a usura |
| 8    | Parte inferiore del filtro                                       |                        |
| 9    | Kit di montaggio   | Accessori              |
| 10   | Scarico manuale  | Accessori              |

## Фильтр сжатого воздуха серии GH

Фильтры высокого давления компании Parker-dominik hunter серии GH предназначены для диапазона высокого давления от 100 до 350 бар. Они имеют очень широкие возможности применения благодаря широкому спектру имеющихся типов фильтрующих элементов.

Рабочая среда проходит через фильтрующие элементы ZP, XP и A изнутри наружу. Через фильтр грубой очистки V и картридж газ проходит по направлению снаружи внутрь.

### Комплект поставки

Фильтр в стандартном исполнении поставляется с ручным сливным устройством для отвода конденсата. Фильтры поставляются заказчику готовыми к эксплуатации и могут быть непосредственно установлены в систему трубопроводов.

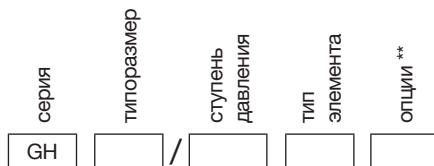
Фильтры в исполнении **OA** поставляются без ручного сливного устройства (игольчатого клапана) и не готовы к работе без смонтированных принадлежностей. Если не описанные принадлежности были заказаны вместе с фильтром, то они находятся в отдельной упаковке и их необходимо смонтировать в соответствии с прилагаемой инструкцией.

### Целевая группа

Настоящее руководство по эксплуатации предназначено для специалистов, которым поручено выполнять монтаж, эксплуатацию и техническое обслуживание фильтра. Эти лица должны быть обучены обращению с приборами, работающими под давлением, и иметь необходимые знания об обращении с ними.

### Условное обозначение продукта

Условное обозначение фильтра высокого давления серии GH образуется следующим образом:



Примеры:

GH 7 / 100 XP

GH 11 / 350 ZP OA

типоразмер 3, 5, 7, 9, 11, 12, 13

тип элемента

V (фильтр грубой очистки)

ZP (фильтр тонкой очистки)

XP (фильтр тончайшей очистки)

A (из активированного угля)

КТА, КТМ, КТУ (картридж)\*

Опции \*\* OA (без конденсатоотводчика)

\* предлагается для фильтров типоразмера GH3-GH9

\*\* только при отличии от стандарта

### Применение по назначению

Необходимо учитывать данные, имеющиеся на фирменной табличке фильтра. Несоблюдение имеющихся на табличке данных рассматривается как использование фильтра не по назначению. В пределах установленных граничных значений фильтры могут использоваться без ограничений для очистки сжатого воздуха и азота (газообразного).

### Не разрешенное применение

Не разрешается использовать фильтр для очистки критических флюидов. Ни в коем случае не разрешается использовать фильтры для очистки взрывоопасных, горючих или ядовитых газов, относящихся к группе флюидов 1 в соответствии с Директивой ЕС 97/23/EG. Запрещено вносить изменения в конструкцию корпусов, рассчитанных на работу под давлением. Такие изменения могут угрожать эксплуатационной безопасности и повлечь за собой возникновение ущерба или ранение людей.

## Указания по технике безопасности

### Опасность вследствие резкого сброса давления в атмосферу!

Никогда не удаляйте никакие части фильтра и не выполняйте никаких работы на нем, если фильтр находится под давлением. Неожиданный резкий сброс давления в атмосферу может вызвать тяжелые ранения.

До начала работ на фильтре сбросьте давление в нем!

### Опасность, связанная с горячими поверхностями!

Флюиды, проходящие через фильтр, могут иметь температуру до 80 °C (176 °F). Вследствие этого корпус фильтра может нагреваться до высокой температуры.

Не прикасайтесь к горячим поверхностям!

При необходимости надевайте защитные рукавицы!

### Опасность вследствие загрязнения!

Корпус фильтра и фильтрующие элементы при определенных условиях загрязнены веществами, которые улавливает фильтр. Поэтому обязательно соблюдайте памятку по безопасности используемого флюида! При необходимости работайте в защитной одежде (рукавицы и респиратор).

После демонтажа или замены элемента утилизируйте все части в соответствии с действующими положениями об утилизации отходов!

### Предупреждение о повреждении картриджа!

Неверное направление потока газа через картридж может привести к повреждениям! Газ должен всегда проходить через фильтр с картриджем снаружи внутрь согласно указывающей направление стрелке. Чтобы предотвратить возможное загрязнение последующей газовой сети, необходимо установить подходящий пылевой фильтр.

### Указания по техническому обслуживанию

Работы по ремонту и техническому обслуживанию должны выполняться только обученным квалифицированным персоналом. Необходимо использовать только рекомендованные производителем смазочные материалы и запасные части.

### Техника безопасности

Соблюдайте специальные указания по технике безопасности, например, в Германии – UVV/BGV.

Соблюдайте рабочие инструкции эксплуатирующей организации!

## Транспортировка и хранение



### Опасность ударов и защемления!

**Необходимо учитывать** информацию о весе фильтра высокого давления (см. стр. 2). Для транспортировки следует использовать соответствующие вспомогательные средства.

Всегда транспортируйте фильтр высокого давления в том виде, в котором он был поставлен, например, в горизонтальном положении на поддоне.


Храните фильтр высокого давления в сухом месте, где он защищен от загрязнения и погодных воздействий.

## Монтаж

### Необходимые условия

Детальная информация о процессе монтажа зависит от местных условий. Соблюдайте следующие основополагающие указания:

- ▮ Проверьте отсутствие повреждений фильтра. Запрещается монтировать или вводить в эксплуатацию поврежденный фильтр.
- ▮ До начала монтажа сбросьте давление в трубопроводе.

- ▮ Устанавливайте фильтр только в вертикальном положении.
  - ▮ Учитывайте направление потока: на верхней части фильтра имеется стрелка, указывающая направление.
  - ▮ Учитывайте собственный вес фильтра, при необходимости смонтируйте опорное приспособление. Опорное приспособление должно быть достаточно прочным, чтобы оно надежно удерживало фильтр, полностью заполненный жидкостью.
  - ▮ Обеспечьте непосредственное соединение с защитным устройством, которое исключит превышение максимально допустимых граничных значений (давления и температуры).
  - ▮ Фильтр следует устанавливать в систему трубопроводов в месте с минимальной температурой.
  - ▮ Предусмотрите достаточное свободное пространство под фильтром для замены фильтрующих элементов (таблица 2).
  - ▮ При использовании картриджа требуется установить подходящий последующий дополнительный фильтр.
-  Защитные колпачки крепежных отверстий разрешается снимать только для монтажа держателя (рис. 6 [3]) или опорного приспособления!

### Монтаж фильтра


Фильтр поставляется готовым к эксплуатации, за исключением модели OA. В случае заказа каких-либо опций необходимо вначале смонтировать их на фильтр в соответствии с указаниями в документации на эти принадлежности.

- Сбросьте давление в соответствующем участке трубопровода.
- При необходимости установите опорное устройство.
- Установите фильтр согласно направлению потока и указывающей направлению стрелке (рис. 1).

- Смонтируйте фильтр на трубопроводе. При этом установите фильтр в вертикальное положение и затяните резьбовое соединение так, чтобы обеспечивалась герметичность.
- Снова создайте давление на участке трубопровода и проверьте герметичность и правильную работу фильтра.

### Монтаж манометра дифференциального давления

Манометр дифференциального давления подсоединяется в направлении потока от плюса к минусу (рис. 5). Порядок монтажа:

- Сбросьте давление в соответствующем участке трубопровода.
  - Выкрутите резьбовые пробки (рис. 6 [2]).
  - Открутите ввертные хвостовики штуцера (рис. 5 [B]) от предварительно смонтированного манометра дифференциального давления и плотно закрутите гаечным ключом в верхнюю часть фильтра (40 Нм).
  - Выровняйте плюсовую сторону манометра дифференциального давления по отношению к стороне входа газа и установите его на ввертные хвостовики штуцера.
  - Затяните накидную гайку рукой (рис. 5 [A]), после чего плотно затяните ее гаечным ключом примерно на 1/4 оборота (рис. 5).
-  Не затягивайте накидную гайку слишком сильно, так как это ведет к повреждению манометра дифференциального давления!

### Эксплуатация

При эксплуатации фильтра избегайте резкого увеличения или падения давления. Слишком быстрое увеличение или падение давления может вызвать повреждения фильтра.

## Техническое обслуживание

Соблюдайте предусмотренную периодичность технического обслуживания. При несоблюдении периодичности техобслуживания не гарантируется безотказная работа фильтра.



При каждой замене элемента также требуется заменять оба уплотнительных кольца корпуса.

### Ежедневно

Регулярно сливайте накопившийся конденсат, открывая для этого ручное сливное устройство или используя конденсатоотводчик. В зависимости от накапливаемого количества конденсата может потребоваться сливать его несколько раз в день.

### Ежегодно

Фильтрующие элементы **V**, **XP**, **ZP** требуется заменять при дифференциальном давлении 0,6–0,7 бар или не позднее чем через 1 год.

### По потребности

Элемент с активированным углем **A** необходимо заменять каждый квартал (не позднее чем через примерно 1500 часов работы).

Необходимость преждевременной замены элемента может быть вызвана следующими факторами:

- ▮ высокие температуры,
- ▮ высокая концентрация масляного пара,
- ▮ высокая относительная влажность.

Оптимальную периодичность замены следует определить путем регулярных измерений.

### Замена фильтрующего элемента

- Перекройте подводящий трубопровод фильтра.
- Сбросьте давление в фильтре. Для этого при необходимости откройте сливное устройство в нижней части фильтра.



### Внимание!

В зависимости от типоразмера вес нижней части корпуса может составлять до 35 кг! Следует использовать подходящее опорное приспособление, которое может выдержать собственный вес нижней части фильтра.

- С помощью гаечного ключа выкрутите нижнюю часть фильтра за имеющейся на ней четырехгранник (рис. 4).
- Открутите фильтрующий элемент по часовой стрелке от резьбовой шпильки (рис. 3).
- Очистите крепление фильтра и резьбу частей корпуса.
- Замените оба уплотнительных кольца корпуса (рис. 2).
- Нанесите тонкий слой рекомендованной монтажной пасты на резьбу и уплотнительные кольца.



Рекомендованная монтажная паста: Rivolta GWF

- Накрутите новый фильтрующий элемент с уплотнением на резьбовую шпильку (рис. 3).
- Вкрутите нижнюю часть фильтра на 2–3 витка резьбы в верхнюю часть. При этом проследить за легкостью закручивания.
- Вкрутите нижнюю часть корпуса до появления чувствительного сопротивления верхнего уплотнительного кольца.



Между верхней и нижней частью должен остаться зазор размером с толщину листа бумаги.

- При необходимости закройте ручное сливное устройство и откройте питающую линию, ведущую к фильтру (рис. 4).
- Проверьте герметичность фильтра.
- Фильтрующие элементы должны утилизироваться только согласно рабочей инструкции.

## Принадлежности, отдельные

| № для заказа     | Наименование  |
|------------------|---|
| HZD80/420RG      | Откалиброванный аналоговый манометр дифференциального давления            |
| HZDE80/420RG     | Откалиброванный аналоговый манометр дифференциального давления с герконом |
| EV05/640         | Ручное сливное устройство (игольчатый клапан) PN640, G1/4i                |
| MK/630-G08-G08   | Монтажный комплект G1/4a, PN630, для отводчика G1/4i                      |
| TRAP2/100-G230/P | Электромагнитный клапан с управлением по времени G1/4i, PN100, 2–55 °C    |
| TRAP2/100-G115/P | Электромагнитный клапан с управлением по времени G1/4i, PN100, 2–55 °C    |
| TRAP2/100-G24D/P | Электромагнитный клапан с управлением по времени G1/4i, PN100, 2–55 °C    |
| TRAP2/350-G230/J | Электромагнитный клапан с управлением по времени G1/4i, PN350, 2–55 °C    |
| TRAP2/350-G115/J | Электромагнитный клапан с управлением по времени G1/4i, PN350, 2–55 °C    |
| TRAP2/350-G24D/J | Электромагнитный клапан с управлением по времени G1/4i, PN350, 2–55 °C    |

## Запасные и изнашиваемые детали

| № для заказа* | Наименование  |
|---------------|---|
| 1050_         | Фильтрующий элемент для фильтра типоразмера GH3                                 |
| 1070_         | Фильтрующий элемент для фильтра типоразмера GH5                                 |
| 1140_         | Фильтрующий элемент для фильтра типоразмера GH7                                 |
| 2010_         | Фильтрующий элемент для фильтра типоразмера GH9                                 |
| 2020_         | Фильтрующий элемент для фильтра типоразмера GH11                                |
| 2030_         | Фильтрующий элемент для фильтра типоразмера GH12                                |
| 2050_         | Фильтрующий элемент для фильтра типоразмера GH13                                |
| RKGH3-GH7     | 8 уплотнительных колец для корпуса фильтра GH3-GH7 (требуется 2 шт. на корпус)  |
| RKGH9-GH13    | 8 уплотнительных колец для корпуса фильтра GH9-GH13 (требуется 2 шт. на корпус) |
| KT1012_       | Картридж для фильтра типоразмера GH3 и GH5                                      |
| KT1019_       | Картридж для фильтра типоразмера GH7  |
| KT2016_       | Картридж для фильтра типоразмера GH9  |

\* Заменить подчеркивание степенью элемента / засыпкой

## Обзор деталей (обзорный чертеж см. на стр. 27)

| Поз. | Наименование                               |                     |
|------|--|---------------------|
| 1    | Манометр дифференциального давления        | Принадлежности      |
| 2    | Резьбовая пробка                           |                     |
| 3    | Защитные колпачки крепежных отверстий      |                     |
| 4    | Верхняя часть фильтра                      |                     |
| 5    | Резьбовая шпилька                          |                     |
| 6    | Фильтрующий элемент с уплотнением элемента | Изнашиваемая деталь |
| 7    | Уплотнительные кольца корпуса              | Изнашиваемая деталь |
| 8    | Нижняя часть фильтра                       |                     |
| 9    | Монтажный комплект                         | Принадлежности      |
| 10   | Ручное сливное устройство                  | Принадлежности      |





## EC Declaration of Conformity

According to Pressure Equipment Directive 2014/68/EU

Manufacturer: **Parker Hannifin Manufacturing Germany GmbH & Co.KG**

Gas Separation and Filtration Division EMEA  
Im Teelbruch 118  
45219 Essen  
Deutschland

Pneumatic device: **Series GH** filter for gaseous compressed air or nitrogen

The products comply with the European Directive 2014/68/EU and were subjected to the conformity assessment as shown in the following table:

| Filter type | max. operating pressure | Conformity assessment procedure according to |
|-------------|-------------------------|--|
| GH3—GH7     | 100—350 bar             | Artikel 4, Absatz 3                          |
| GH9—GH11    | 100 bar                 | Kategorie I ; Modul A                        |
| GH12—GH13   | 100 bar                 | Kategorie II ; Modul A1                      |
| GH9—GH12    | 350 bar                 | Kategorie II ; Modul A1                      |
| GH13        | 350 bar                 | Kategorie III ; Modul H                      |

Notified body: Lloyd's Register Quality Assurance GmbH  
Hamburg  
Kennnummer 0525

Applied standards and regulations: AD2000

As an authorized representative, I herewith declare that the above mentioned products and information comply with the regulations of Directive 2014/68/EU with regard to production and delivery.

Essen, 18. 07 2016

Dr. Jürgen Timmler  
Konformitätsbeauftragter / Conformity officer

## Déclaration de conformité CE

selon directive Equipements sous pression 2014/68/EU

Fabricant: **Parker Hannifin Manufacturing Germany GmbH & Co.KG**

Gas Separation and Filtration Division EMEA  
Im Teelbruch 118  
45219 Essen  
Deutschland

Équipement sous pression: Filtres de la série **GH** pour l'air comprimé ou l'azote gazeux

Les produits sont conformes à la directive Equipements sous pression 2014/68/EU et leur conformité a été évaluée conformément au tableau ci-dessous

| Tailles constructives | Étage de pression | Procédés d'évaluation de conformité selon |
|-----------------------|-------------------|---|
| GH3—GH7               | 100—350 bar       | Article 4, alinéa 3                       |
| GH9—GH11              | 100 bar           | Catégorie I ; Module A                    |
| GH12—GH13             | 100 bar           | Catégorie II ; Module A1                  |
| GH9—GH12              | 350 bar           | Catégorie II ; Module A1                  |
| GH13                  | 350 bar           | Catégorie III ; Module H                  |

Organe désigné : Lloyd's Register Quality Assurance GmbH  
Hamburg  
N° d'identification 0525

Normes appliquées : AD 2000

Je soussigné déclare par la présente, en ma qualité de représentant dûment mandaté, la conformité des produits susmentionnés et indications ci-dessus en ce qui concerne la fabrication et la livraison selon les dispositions de la directive 2014/68/EU.

Essen, 18. 07 2016

Dr. Jürgen Timmler  
Konformitätsbeauftragter / Conformity officer

## Dichiarazione di conformità CE

secondo direttiva sugli apparecchi a pressione 2014/68/EU

Casa costruttrice: **Parker Hannifin Manufacturing Germany GmbH & Co.KG**

Gas Separation and Filtration Division EMEA  
Im Teelbruch 118  
45219 Essen  
Deutschland

Apparecchio a pressione: Filtro della serie **GH** per aria compressa o azoto gassosi

I prodotti sono conformi alla direttiva 2014/68/EU sulle attrezzature a pressione e sono stati sottoposti alla valutazione di conformità in base alla seguente tabella:

| Dimensioni | Livello di pressione | Procedure di valutazione della conformità secondo |
|------------|----------------------|---|
| GH3—GH7    | 100—350 bar          | Articolo 4, capoverso 3                           |
| GH9—GH11   | 100 bar              | Categoria I ; modulo A                            |
| GH12—GH13  | 100 bar              | Categoria II ; modulo A1                          |
| GH9—GH12   | 350 bar              | Categoria II ; modulo A1                          |
| GH13       | 350 bar              | Categoria III ; modulo H                          |

Ufficio designato: Lloyd's Register Quality Assurance GmbH  
Hamburg  
Kennnummer 0525

Norme applicate: AD 2000

In qualità di rappresentante autorizzato dichiaro che i prodotti susenunciati e le informazioni sulla produzione e fornitura sono conformi alle disposizioni della direttiva 2014/68/EU.

Essen, 18. 07 2016

Dr. Jürgen Timmler  
Konformitätsbeauftragter / Conformity officer

## Заявление о соответствии требованиям

Директивы ЕС 2014/68/EU в отношении прибора, работающего под давлением

Изготовитель: **Parker Hannifin Manufacturing Germany GmbH & Co.KG**

Gas Separation and Filtration Division EMEA  
Im Teelbruch 118  
45219 Essen  
Deutschland

Прибор, работающий: Фильтры серии **GH** для сжатого воздуха или азота

Изделия соответствуют требованиям Директивы о напорном оборудовании 2014/68/EU и прошли оценку на соответствие согласно следующей таблице:

| Типоразмеры | Ступень давления | Методы подтверждения соответствия согласно |
|-------------|------------------|--|
| GH3—GH7     | 100—350 бар      | Пункту 4, Абзац 3 (2014/68/EU)             |
| GH9—GH11    | 100 бар          | Категория I ; с модулем A                  |
| GH12—GH13   | 100 бар          | Категория II ; с модулем A1                |
| GH9—GH12    | 350 бар          | Категория II ; с модулем A1                |
| GH13        | 350 бар          | Категория III ; с модулем H                |

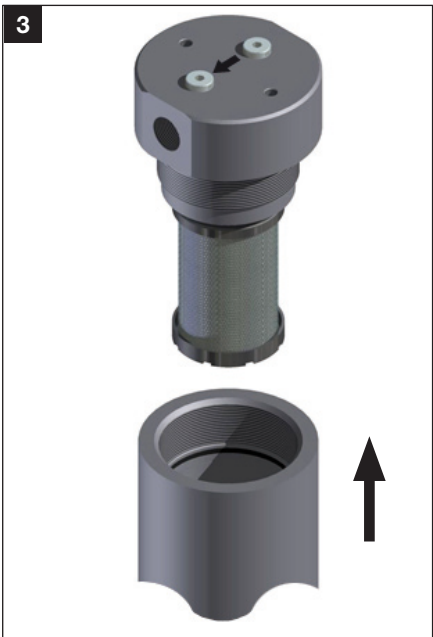
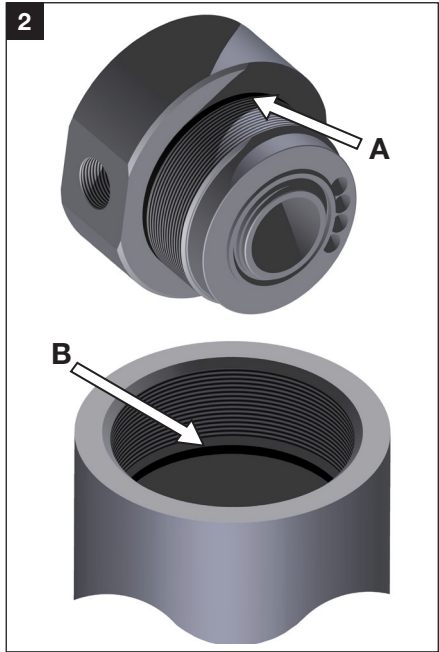
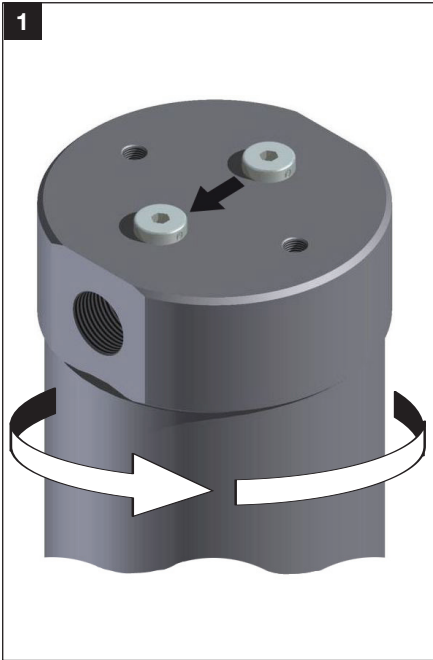
Указанное учреждение: Lloyd's Register Quality Assurance GmbH  
Hamburg  
Код 0525

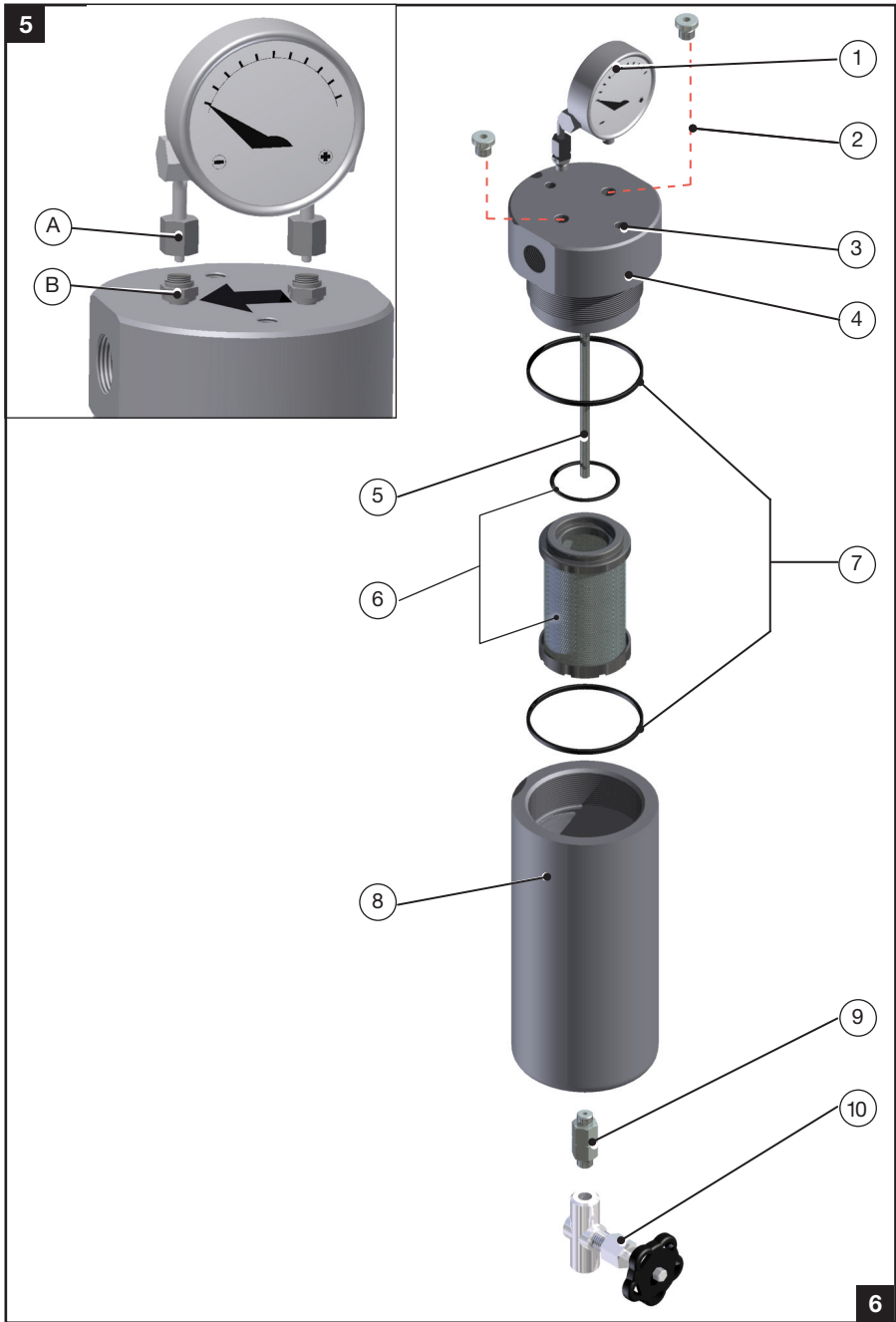
Используемые стандарты: AD 2000

Настоящим я как уполномоченный представитель заявляю о соответствии указанных выше продуктов и данных, касающихся изготовления и поставки, положениям Директивы 2014/68/EU.

Essen, 18. 07 2016

Dr. Jürgen Timmler  
Konformitätsbeauftragter / Conformity officer





# Parker Worldwide

## Europe, Middle East, Africa

**AE – United Arab Emirates,** Dubai

Tel: +971 4 8127100  
parker.me@parker.com

**AT – Austria,** Wiener Neustadt

Tel: +43 (0)2622 23501-0  
parker.austria@parker.com

**AT – Eastern Europe,** Wiener Neustadt

Tel: +43 (0)2622 23501 900  
parker.easteurope@parker.com

**AZ – Azerbaijan,** Baku

Tel: +994 50 2233 458  
parker.azerbaijan@parker.com

**BE/LU – Belgium,** Nivelles

Tel: +32 (0)67 280 900  
parker.belgium@parker.com

**BG – Bulgaria,** Sofia

Tel: +359 2 980 1344  
parker.bulgaria@parker.com

**BY – Belarus,** Minsk

Tel: +48 (0)22 573 24 00  
parker.poland@parker.com

**CH – Switzerland,** Etoy

Tel: +41 (0)21 821 87 00  
parker.switzerland@parker.com

**CZ – Czech Republic,** Klecany

Tel: +420 284 083 111  
parker.czechrepublic@parker.com

**DE – Germany,** Kaarst

Tel: +49 (0)2131 4016 0  
parker.germany@parker.com

**DK – Denmark,** Ballerup

Tel: +45 43 56 04 00  
parker.denmark@parker.com

**ES – Spain,** Madrid

Tel: +34 902 330 001  
parker.spain@parker.com

**FI – Finland,** Vantaa

Tel: +358 (0)20 753 2500  
parker.finland@parker.com

**FR – France,** Contamine s/Arve

Tel: +33 (0)4 50 25 80 25  
parker.france@parker.com

**GR – Greece,** Athens

Tel: +30 210 933 6450  
parker.greece@parker.com

**HU – Hungary,** Budaörs

Tel: +36 23 885 470  
parker.hungary@parker.com

**IE – Ireland,** Dublin

Tel: +353 (0)1 466 6370  
parker.ireland@parker.com

**IT – Italy,** Corsico (MI)

Tel: +39 02 45 19 21  
parker.italy@parker.com

**KZ – Kazakhstan,** Almaty

Tel: +7 7273 561 000  
parker.easteurope@parker.com

**NL – The Netherlands,** Oldenzaal

Tel: +31 (0)541 585 000  
parker.nl@parker.com

**NO – Norway,** Asker

Tel: +47 66 75 34 00  
parker.norway@parker.com

**PL – Poland,** Warsaw

Tel: +48 (0)22 573 24 00  
parker.poland@parker.com

**PT – Portugal,** Leca da Palmeira

Tel: +351 22 999 7360  
parker.portugal@parker.com

**RO – Romania,** Bucharest

Tel: +40 21 252 1382  
parker.romania@parker.com

**RU – Russia,** Moscow

Tel: +7 495 645-2156  
parker.russia@parker.com

**SE – Sweden,** Spånga

Tel: +46 (0)8 59 79 50 00  
parker.sweden@parker.com

**SK – Slovakia,** Banská Bystrica

Tel: +421 484 162 252  
parker.slovakia@parker.com

**SL – Slovenia,** Novo Mesto

Tel: +386 7 337 6650  
parker.slovenia@parker.com

**TR – Turkey,** Istanbul

Tel: +90 216 4997081  
parker.turkey@parker.com

**UA – Ukraine,** Kiev

Tel: +48 (0)22 573 24 00  
parker.poland@parker.com

**UK – United Kingdom,** Warwick

Tel: +44 (0)1926 317 878  
parker.uk@parker.com

**ZA – South Africa,** Kempton Park

Tel: +27 (0)11 961 0700  
parker.southafrica@parker.com

## North America

**CA – Canada,** Milton, Ontario

Tel: +1 905 693 3000

**US – USA,** Cleveland

Tel: +1 216 896 3000

## Asia Pacific

**AU – Australia,** Castle Hill

Tel: +61 (0)2-9634 7777

**CN – China,** Shanghai

Tel: +86 21 2899 5000

**HK – Hong Kong**

Tel: +852 2428 8008

**IN – India,** Mumbai

Tel: +91 22 6513 7081-85

**JP – Japan,** Tokyo

Tel: +81 (0)3 6408 3901

**KR – South Korea,** Seoul

Tel: +82 2 559 0400

**MY – Malaysia,** Shah Alam

Tel: +60 3 7849 0800

**NZ – New Zealand,** Mt

Wellington  
Tel: +64 9 574 1744

**SG – Singapore**

Tel: +65 6887 6300

**TH – Thailand,** Bangkok

Tel: +662 186 7000

**TW – Taiwan,** Taipei

Tel: +886 2 2298 8987

## South America

**AR – Argentina,** Buenos Aires

Tel: +54 3327 44 4129

**BR – Brazil,** Sao Jose dos

Campos  
Tel: +55 800 727 5374

**CL – Chile,** Santiago

Tel: +56 2 623 1216

**MX – Mexico,** Toluca

Tel: +52 72 2275 4200

© 2015 Parker Hannifin Corporation. All rights reserved.

Parker Hannifin Manufacturing Germany GmbH & Co. KG,  
Gas Separation and Filtration Division EMEA

Im Teelbruch 118

D-45219 Essen

www.parker.com

