

Fulflo® EH Multi-Cartridge Filter Vessel

304 & 316 stainless steel, commercial design (non ASME code)

The Fulflo EH non-code multi-cartridge filter vessels provide economical filtration of a wide variety of liquids in a lightweight, externally polished stainless steel design, with features including a swing bolt secured, quick opening cover and an internal positive pressure cartridge alignment and sealing plate.

The EH vessels accommodate either 10", 20", 30" or 40" long, double open end (DOE) or 222 single open end (SOE) filter cartridges.

These vessels are manufactured from polished and passivated stainless steel and rated for 150 psi (10.3 bar).

For added corrosion resistance, all cover bolt and leg mounting hardware is made from stainless steel as well.



Contact Information

Parker Hannifin Corporation
Bioscience Division - N.A.
2340 Eastman Avenue
Oxnard, CA 93030

phone +1 805 604 3583
bioscience.na@parker.com

www.parker.com/bioscience

Benefits

- Convertible design allows for use of both DOE and SOE cartridges
- Swing bolted o-ring closure seal provides quick and positive seal and easy access to the vessel interior and filter cartridges
- Both FNPT threaded and flanged connections are available in specific models
- EPDM seals are standard with other material options available
- Standard threaded FNPT vent & drains
- Standard stainless steel cartridge support and sealing hardware
- Polished exterior and pickle passivate interior / exterior for enhanced corrosion resistance

Applications

- Potable Water
- Lubricants
- Process Water
- Coolants
- Edible Oils
- Cutting oils
- Coatings
- Solvents



ENGINEERING YOUR SUCCESS.

Fulflo® EH Multi-Cartridge Filter Vessel

Available Finishes

- Polished exterior

Typical aqueous flow (Based on 5gpm per 10" length)		
Model	Filter Quantity	Capacity (gpm)
EHG05S	5 x 10"	25
EHG05D	5 x 20"	50
EH*05T	5 x 30"	75
EH*05Q	5 x 40"	100
EHG07T	7 x 30"	105
EHG07Q	7 x 40"	140
EHG11T	11 x 30"	165
EHG11Q	11 x 40"	220
EHG19T	19 x 30"	285
EHG19Q	19 x 40"	380

* G or S

Vessel dimensions									
Model	A	B	C	D	E	F	G	H	Weight (lbs)
EHG05S2T	9.85	15.75	8.00	29.33	26.00	6.00	12.00	12.40	41
EHG05D2T	9.85	19.69	8.00	39.17	35.84	6.00	12.00	12.40	48
EH*05T2T	9.85	23.63	8.00	49.00	45.67	6.00	12.00	12.40	55
EH*05Q2T	9.85	27.56	8.00	59.25	55.91	6.00	12.00	12.40	62
EHG07T2T	11.81	27.56	10.00	51.77	47.64	7.00	14.00	14.57	75
EHG07Q2T	11.81	31.50	10.00	62.00	57.87	7.00	14.00	14.57	84
EHG11T3F	14.17	27.56	12.00	55.71	50.79	9.14	18.27	16.54	115
EHG11Q3F	14.17	35.43	12.00	65.16	60.24	9.14	18.27	16.54	123
EHG19T4F	15.75	31.50	15.91	58.47	52.56	11.90	23.79	20.87	161
EHG19Q4F	15.75	35.43	15.91	67.52	61.61	11.90	23.79	20.87	175

* G or S

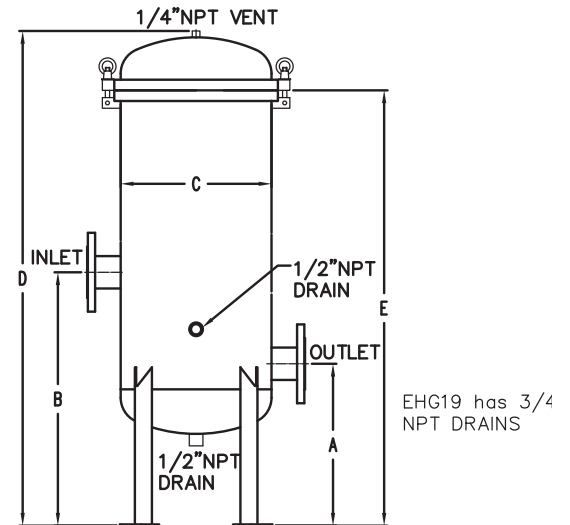
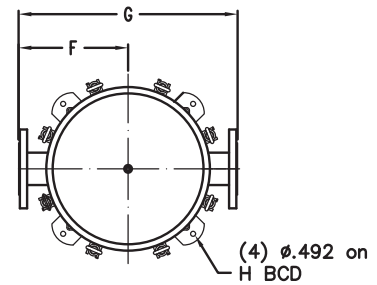
Cartridge Configurations*	
222 O-ring SOE	Flat
	PP spring closed end
	Flex fin
	Fin
Gasket SOE	PP spring closed end
DOE	Standard

*2.75" maximum diameter

Material of Construction	Max. Allowable Pressure (MAP) (psi @ MAT °F)	Max. Allowable Temp. (MAT) (°F @ MAP psi)
304/316 SST	150 psi (10.3 bar)	300°F (149°C)

O-ring Temperature Guide	
Material	Max. Temp.
Nitrile (Buna-N)	250°F (121°C)
EPDM (EPR)*	300°F (149°C)
FKM (Viton®)	400°F (204°C)**

*EPDM o-ring is standard.
**Vessel temp. limited to 300°F (149°C)



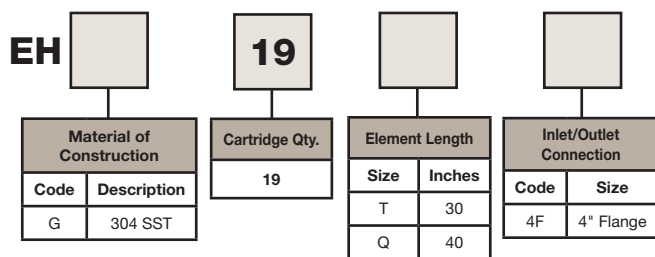
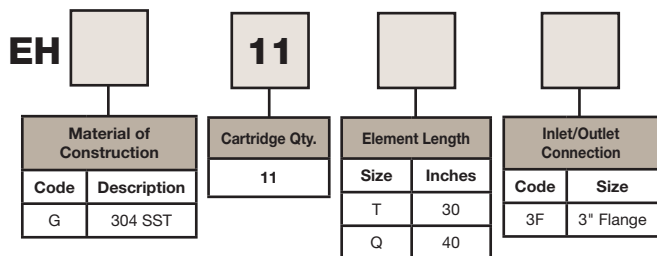
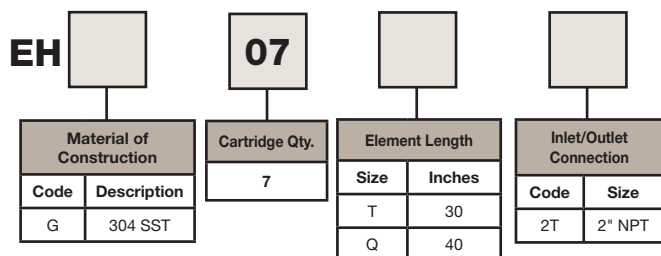
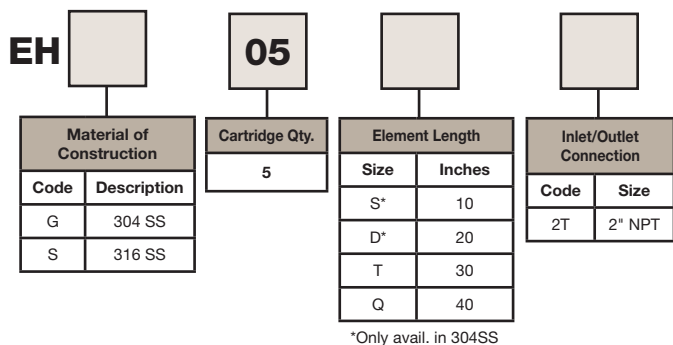
Specifications are subject to change without notification.
For User Responsibility Statement, see www.parker.com/safety

© 2017 Parker-Hannifin Corporation
Bioscience Division - North America
All Rights Reserved



Fulflo® EH Multi-Cartridge Filter Vessel

Ordering Information



Replacement Parts		
Model(s)	Part Number	Description
All	2390-5003	Cover Bolt Assembly†
All	2800-5405	Cartridge Guide (10") - 304SS
All	2800-5406	Cartridge Guide (20") - 304SS
All	2800-5403	Cartridge Guide (30") - 304SS
All	2800-5404	Cartridge Guide (40") - 304SS
All	5320-5402	Spring Seal Assembly
All	0720-5305	Center Rod 10" 304SS
All	0720-5306	Center Rod 20" 304SS
All	0720-5303	Center Rod 30" 304SS
All	0720-5304	Center Rod 40" 304SS
All	4090-5365	Wing Nut (Pressure Plate) - 304SS
All	6780-5190	Washer (Pressure Plate) - 304SS
EH*05	4150-5837-E	O-ring, Cover EPDM
EH*05	4150-5837-N	O-ring, Cover Buna-N
EH*05	4150-5837-V	O-ring, Cover FKM (Viton®)
EHG05	1567-0160	Pressure Plate - 304SS
EHS05	6780-5192	Washer (Pressure Plate) - 316SS
EHS05	5320-5408	Spring Seal Assembly - 316SS
EHS05	2800-5408	Cartridge Guide (30") - 316SS
EHS05	2800-5409	Cartridge Guide (40") - 316SS
EHS05	0720-5309	Center Rod 30" 316SS
EHS05	0720-5310	Center Rod 40" 316SS
EHS05	4090-5373	Wing Nut (Pressure Plate) - 316SS
EHS05	1567-0165	Pressure Plate - 316SS
EHG07	4150-5838-E	O-ring, Cover EPDM
EHG07	4150-5838-N	O-ring, Cover Buna-N
EHG07	4150-5838-V	O-ring, Cover FKM (Viton®)
EHG07	1567-0161	Pressure Plate - 304SS
EHG11	4150-5840-E	O-ring, Cover EPDM
EHG11	4150-5840-N	O-ring, Cover Buna-N
EHG11	4150-5840-V	O-ring, Cover FKM (Viton®)
EHG11	1567-0162	Pressure Plate - 304SS
EHG19	4150-5842-E	O-ring, Cover EPDM
EHG19	4150-5842-N	O-ring, Cover Buna-N
EHG19	4150-5842-V	O-ring, Cover FKM (Viton®)
EHG19	1567-0163	Pressure Plate - 304SS

†Bolt assembly includes 1 each bolt, nut, washer, pin and retainer.

Specifications are subject to change without notification.
For User Responsibility Statement, see www.parker.com/safety

© 2017 Parker-Hannifin Corporation
Bioscience Division - North America
All Rights Reserved

Fulflo is a registered trademark of Parker-Hannifin Corporation
Viton is a registered trademark of E.I. DuPont de Nemours & Co., Inc.



DS_IP_E Multi Filter Vessel 2/14 Rev. D