

Type 1130 – 2", 2½", 3½", 4", 4½", & 6" Differential Gauge



- *Piston actuator*
- *Stainless steel case*
- *Ranges from 5 psid-150 psid*
- *Static pressures up to 6000 psi⁽⁴⁾*
- *Aluminum⁽³⁾, brass or stainless steel bodies⁽¹⁾*
- *Buna-N O-rings (others available)*
- *Superior magnets for smoother pointer motion*
- *Switch outputs available*
- *5-year warranty*

The Type 1130 uses a piston design where small migration of the process media is permissible.⁽¹⁾ It is recommended for high differential and high static pressures, up to 6000 psi. Body materials are available in Aluminum, Brass and Stainless Steel, with Buna, Viton or EPDM seals.⁽²⁾

NOTES:

- (1) Not for use with incompatible media.
- (2) Other wetted parts include stainless steel spring, Teflon piston and ceramic magnet.
- (3) Aluminum bodies not to be used with water or corrosive applications.
- (4) Static pressure over 3000 psi in SS only.

PRODUCT SPECIFICATIONS

Model Number:	1130
Accuracy (Ascending):	±2%
Migration:	Minor
Ranges:	0-5 psid to 150 psid
Maximum Static Pressure:	3000 psi (6000 psi for SS)
Actuator:	Piston
Case Material:	Stainless steel
Dial Size:	2" (20), 2½" (25), 3½" (35), 4" (40), 4½" (45), 6" (60)
Maximum Process Temp.:	175°F/80°C
Body Materials:	Aluminum (F), brass (A), stainless steel (S)
O-Rings/Diaphragm:	Buna-N
Connection Size (Female):	¼ NPT (25)
Connection Location:	In-Line (S), Lower (L), Back (B)
Window:	Glass

PRODUCT OPTIONS

Switches⁽¹⁾: Available

¼ NPT Female

Adapter: XGE Available

Front Flange: XFF Available

Viton O-Rings: XVD Available

EPDM O-Rings: XEM Available

Fill⁽²⁾:

Glycerin L Standard

Silicone XGV Available

Window

Plastic: XPD Available

Pipe Mounting

Bracket: XTM In-line (only)

(1) Applicable to switches:

XV1 – 1 SPST with DIN plug

XV2 – 1 SPST with terminal strip

XV3 – 2 SPST with DIN plug

XV4 – 2 SPST with terminal strip

XV5 – 1 SPDT with DIN plug

XV6 – 1 SPDT with terminal strip

XV7 – 2 SPDT with DIN plug

XV8 – 2 SPDT with terminal strip

Adjustable from 20-100% of range

Preset at 90% ascending

Terminal or DIN connected switches are not available

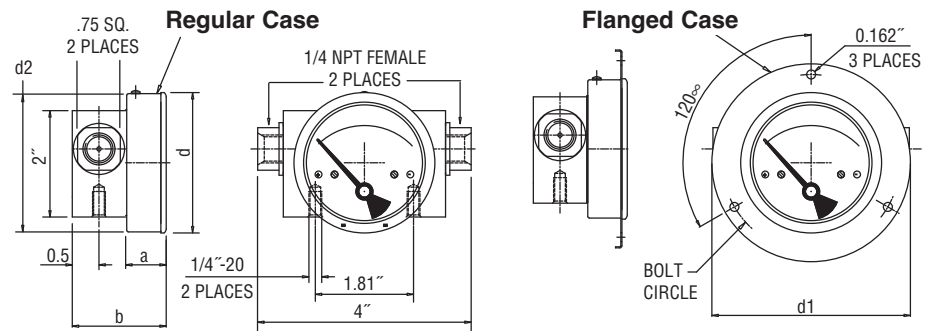
with back connection

(2) Liquid fill has an effect on accuracy that varies with range and temperature. Liquid filling may be required only in some very severe applications.

HOW TO ORDER:

	25	1130	FD	25S	XXX	30#
Dial Size: 2", 2½", 3½", 4", 4½", & 6"	_____	_____	_____	_____	_____	_____
Case Type Number: 1130	_____	_____	_____	_____	_____	_____
Body Material	_____	_____	_____	_____	_____	_____
Connection Size: ¼ NPTF (25)	_____	_____	_____	_____	_____	_____
Connection Location: In-line (S), Lower (L), Back (B)	_____	_____	_____	_____	_____	_____
Optional Features: see above	_____	_____	_____	_____	_____	_____
Standard Pressure Range	_____	_____	_____	_____	_____	_____

Type 1130 – 2", 2½", 3½", 4", 4½", & 6" Differential Gauge



Type 1130 Dimension Drawing

Dial Size	a	b	d	d'	d ²	Bolt Circle
2"	0.70"	1.70"	2.08"	3.11"	2.04"	2.72"
2.5"	0.75"	1.75"	2.59"	3.66"	2.55"	3.26"
3.5"	0.75"	1.75"	3.26"	4.29"	3.22"	3.89"
4"	0.75"	1.75"	4.10"	5.15"	4.01"	4.76"
4.5"	0.75"	1.75"	4.71"	5.74"	4.60"	5.35"
6"	0.75"	1.75"	6.07"	7.12"	6.00"	6.73"

Type 1130 – Standard Ranges

psi		0-5	0-8	0-10	0-15	0-20	0-25	0-30	
kPa	0-25		0-50	0-75	0-100		0-160	0-200	0-250
kg/cm ² -bar	0-0.25		0-0.5	0-0.75	0-1		0-1.6	0-2	0-2.5
psi	0-40	0-50	0-60		0-80		0-100		0-150
kPa	0-300		0-400	0-500		0-600	0-700	0-900	0-1000
kg/cm ² -bar	0-3		0-4	0-5		0-6	0-7	0-9	0-10

Switch Ratings:

SPST SWITCH

Specifications:

Contact Rating
 10 VA ac (rms) or dc (max)
 Switching Current
 0.5 Amp ac (rms) or dc (max)
 Switch Voltage
 100 Vac/Vdc (max)

SPDT SWITCH

Specifications:

Contact Rating
 3 VA ac (rms) or dc (max)
 Switching Current
 .3 Amp ac (rms) or dc (max)
 Switch Voltage
 30 Vac/Vdc (max)