

**Description & Features:**

- High quality gauge designed to work with a pneumatic transmitter or controller
- Stainless steel or brass wetted parts
- 3-15 psi with a variety of receiver ranges
- 316 stainless steel or brass wetted parts
- CRN registered
- 5 year warranty

Applications:

- Reliable indication of changes in pressure, temperature, flow, level, or other measured variables

Specifications	Stainless Steel Internals	Brass Internals
Dial	4.5" (115mm) white aluminum with black and red markings	4.5" (115mm) white aluminum with black and red markings
Case	Black impact resistant thermoplastic, with safety blowout back, solid front, integral back flange	Black impact resistant thermoplastic, with safety blowout back, solid front, integral back flange
Solid Wall	Thermoplastic	Thermoplastic
Lens	Polycarbonate	Polycarbonate
Ring	Ethylene propylene	Ethylene propylene
Pointer	Aluminum, anodized black, micrometer adjustable	Aluminum, anodized black, micrometer adjustable
Socket	316L SS	OT 58 brass
Connection	1/4" NPT or 1/2" NPT standard, bottom	1/4" NPT or 1/2" NPT standard, bottom
Bourdon Tube	316L SS, drawn seamless	Phosphor bronze
Movement	304 SS with over/under stops	304 SS with over/under stops
Gasket Materials	Silicone	Silicone
Welding	TIG	Silver alloy
Over-pressure Limit	25% of full scale value	25% of full scale value
Working Pressure	Maximum 75% of full scale value	Maximum 75% of full scale value
Ambient/Process Temperature	-40°F to 200°F (-40°C to 93°C) dry / -4°F to 150°F (-20°C to 65°C) glycerin-filled	-40°F to 200°F (-40°C to 93°C) dry / -4°F to 150°F (-20°C to 65°C) glycerin-filled
Accuracy	±0.5% ANSI/ASME Grade 2A	±0.5% ANSI/ASME Grade 2A
Enclosure Rating	IP65	IP65

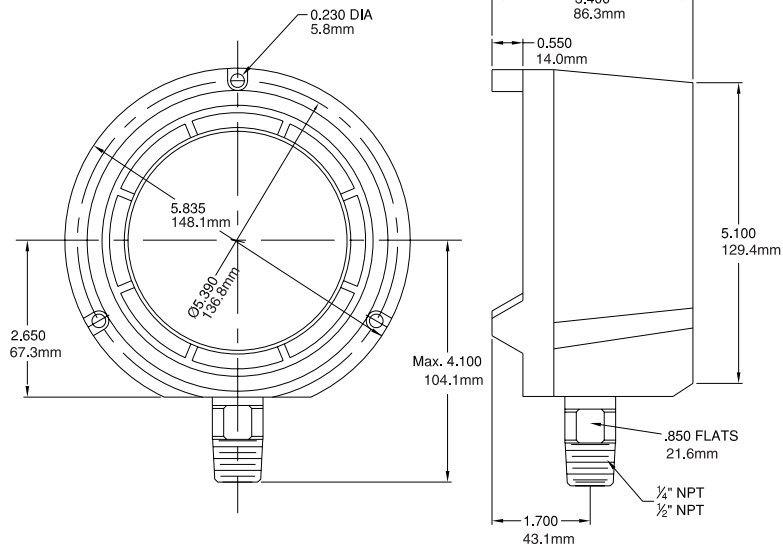
Connection	1/4" NPT Bottom	1/4" NPT Bottom	1/4" NPT Back	1/4" NPT Back
Socket, Tube	Brass	SS	Brass	SS
3-15 psi/0-100%	PRC5081REC	PRC5041REC	PRC5281REC	PRC5341REC
3-27 psi/0-100%	PRC5082REC	PRC5042REC	PRC5283REC	PRC5342REC

Option suffix for above order codes only:

SG-45 = Safety glass 4.5"
HCSF = Hinged case solid front (back connect only)
G = Glycerin filled (bottom connection only)

FMR = Front mounting ring
6HCS = 6" hinged case solid front (back connect only)
0-10 sq/root also available

4.5" Bottom Connection



4.5" Back Connection

