



Description & Features:

- General Purpose, watertight differential pressure switch
- Low pressure to 500 psi
- High current ratings for 1 x SPDT or 2 x SPDT switches
- Fixed deadband
- Die cast aluminum construction with welded seal
- 1% accuracy
- NEMA 4 & 4X, IP66 rated
- cRU recognized (switch only), file no E12252
- CRN registration pending
- 5 year warranty

Applications:

- Suitable for differential pressure applications including filter monitoring and control

Specifications

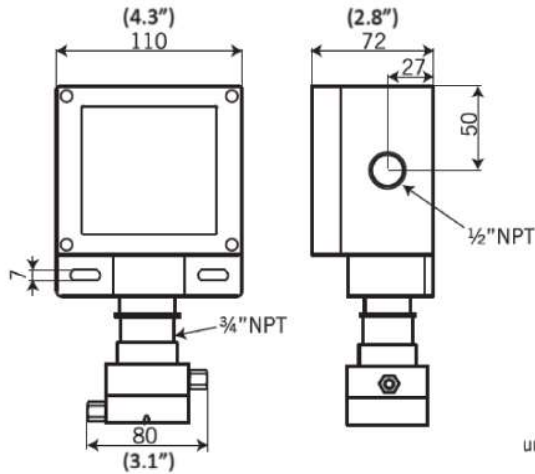
Housing	Heavy-duty die-cast aluminum, blue colour
Accuracy	+/- 1% of the adjustable set-point range
Pressure Connection	Female 1/4" NPT or BSP
Electrical Connection	Female 1/2" or 3/4" NPT, M20xP1.5
Wetted Parts	Low pressure ranges - 316 Stainless Steel welded & Titanium High pressure ranges - 316 Stainless Steel welded
Set Point Adjustment	Field selectable
Deadband	Fixed, see Order Codes
Contact Rating	15A @ 125/250VAC, 0.4A @ 125VDC, 3A @ 30VDC Gold contact microswitch 1A @ 125/250VAC
No. of Contacts	1 x SPDT or 2 x SPDT
Ambient/Process Temperature	-30 to 205 deg C (-22 to 400 deg F)
Enclosure Rating	NEMA 4 & 4X, IP66 Protection against liquid and solid ingress, suitable for indoor or outdoor use and resistant to corrosion
Approvals	cRU recognized, file no E12252 (switch only), CRN registration pending
Weight	4.95 lbs (2.25 kg)

Order Codes

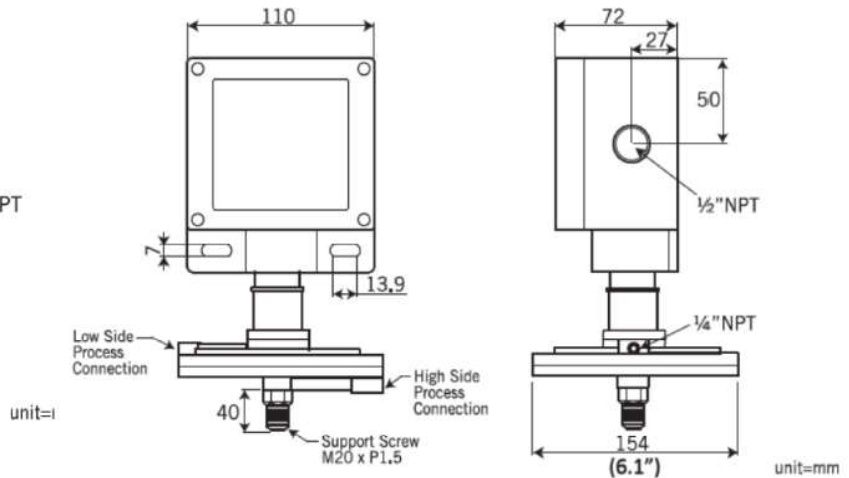
Adjustable Range PSI	Dead Band PSI	Proof Pressure PSI	1/2" NPT Electrical
			1/4" NPT Process
400-1,900 mmH2O (15.7-74.8" H2O)	30-80 mmH2O (1.2-3.1" H2O)	750	5WPSL2406F4F201
1,000-10,000 mmH2O (39.4-393.7" H2O)	70-200 mmH2O (2.8-7.9" H2O)	750	5WPSL4006F4F201
3-28	0.15-1.4	1,000	5WPS0106F4F201
7-100	0.35-5	1,000	5WPS0206F4F201
35-200	1.75-10	1,000	5WPS0306F4F201
50-500	2.5-25	1,000	5WPS0406F4F201

Dimensions

STANDARD PRESSURE RANGE



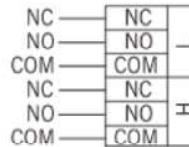
LOW PRESSURE RANGE



Wiring Diagram
1 x SPDT



2 x SPDT



Engineering Code (how to order)

SERIES
PRESSURE RANGES PSI

Pressure Range		Deadband	Proof Pressure PSI
Min	Max		
3	28	0.15-1.4	1,000
7	100	0.35-5	1,000
35	200	1.75-10	1,000
50	500	2.5-25	1,000
-----		-----	-----
400	1,900	30-80	750
1,000	10,000	70-200	750

Low Pressure Ranges, mmH2O

WETTED PARTS

316 Stainless Steel, diaphragm welded (standard)
316 Stainless Steel & Titanium (low pressure, standard)

PROCESS CONNECTION

1/2" NPT Female
1/4" NPT Female
1/2" BSP Female
1/4" BSP Female
1/2" PT Female
1/4" PT Female
M20 x P1.5

CONDUIT CONNECTION

3/4" NPT Female
1/2" NPT Female (standard)
M20 x P1.5

SWITCH TYPE

Micro Switch, 1 x SPDT
Micro Switch, 2 x SPDT (one setpoint)
Gold Contact, 1 x SPDT
Gold Contact, 2 x SPDT (one setpoint)

OPTIONS

Custom Pressure Scale (R1=psi, R2=kPa, R3=kg/cm2, R4=cmH2O, R5=ftH2O, R6=inHg, R7=mmHg, R8=inH2O, R9=oz/in2, R10=ATM, R11=bar, R12=mbar, R13=MPa, R14=mH2O, R15=mmH2O, R16=Pa)
Customer Specific (Numbers from Z01 to Z999)

