

Westlock Pharma II and AccuTrak 9881 provide position and control monitoring for linear sanitary diaphragm valves. They are both weatherproof and the Pharma II offers network connectivity.



#### Technical data

##### Agency approvals

Enclosure standards (IEC)

Pharma II IP55

##### Switches

Pharma II 99P2 Hermetically sealed dry contact switch elements

Pharma II 76P2/77P2 Hall effect sensors

AccuTrak 9881 Magnum (hermetically sealed proximity type) switches

##### Enclosures

Pharma II Engineered resin

AccuTrak 9881 Aluminum

#### Features

##### Pharma II

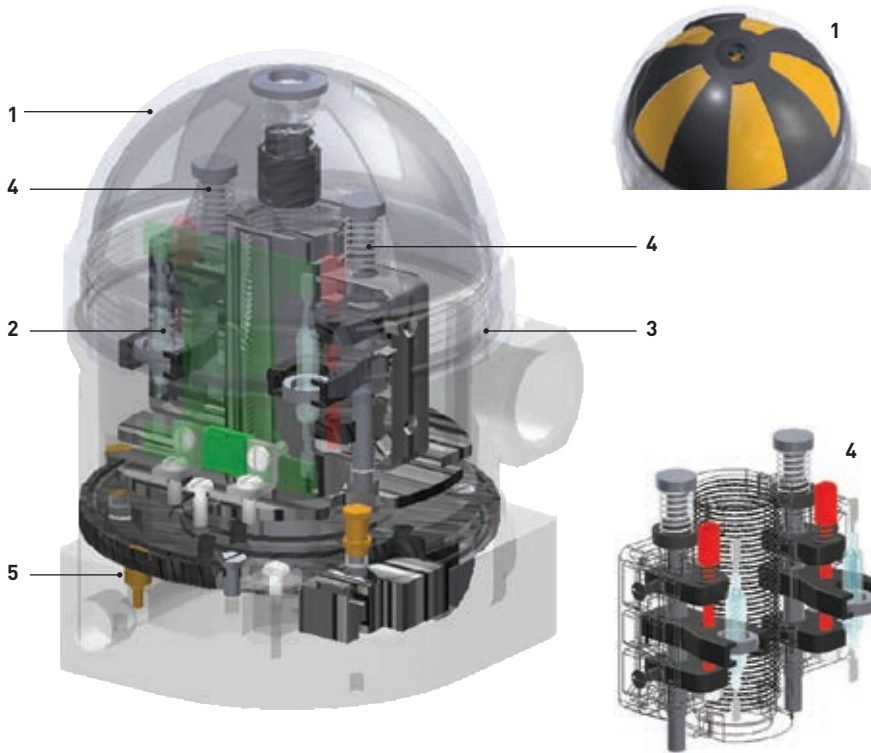
- Compact 95 mm height (without solenoid).
- Low profile and tool-free access ideal for short bend radius installations.
- Non-contact, solid state Hall effect sensors provide premium reliability, even in high cycle applications.
- Zero current leakage means excellent performance in low current I/O systems.
- QuickSwap twist lock installation allows easy integration of puck style solenoid valve base.
- QuickSwap conventional and network electronic modules.
- Easy access to terminal strip for internal wiring.
- Modular design allows the quick change out of electronics/switch module or solenoid.
- Network connectivity via DeviceNet™ (76P2) and AS-Interface® (77P2) protocols.

##### AccuTrak 9881

- Mounting kits available for all sanitary actuators.
- Mechanical visual position indicator available as an option.
- Terminal strips are pre-wired and numbered with generous working space for ease of use and extra wiring points for solenoid integration.
- Aluminum enclosures with low copper content (0.2% max.) ensure robust performance in corrosive environments.
- Thumbscrew trigger adjustments allow quick and simple hand setting of position sensors.
- Eliminator integrated coupling option for attachment of solenoid valve.

# Pharma II 99P2/76P2/77P2

Non-hazardous Position and Control Monitors



## 1. High definition visual indicator

The patent pending design of the HDVI allows 360° viewing from up to 100 feet away. The HDVI is also self-setting for all stroke lengths. It is incorporated as an integral part of the screw top, easy access enclosure.

**2. 99P2:** Hermetically sealed bifurcated dry contact switch elements.

**76P2/77P2:** Hall effect sensors offer enhanced reliability in extreme environments. As there are no moving parts in the sensor or magnet, they typically have a longer life than traditional switches.

**3.** Tool-free access with screw top cover.

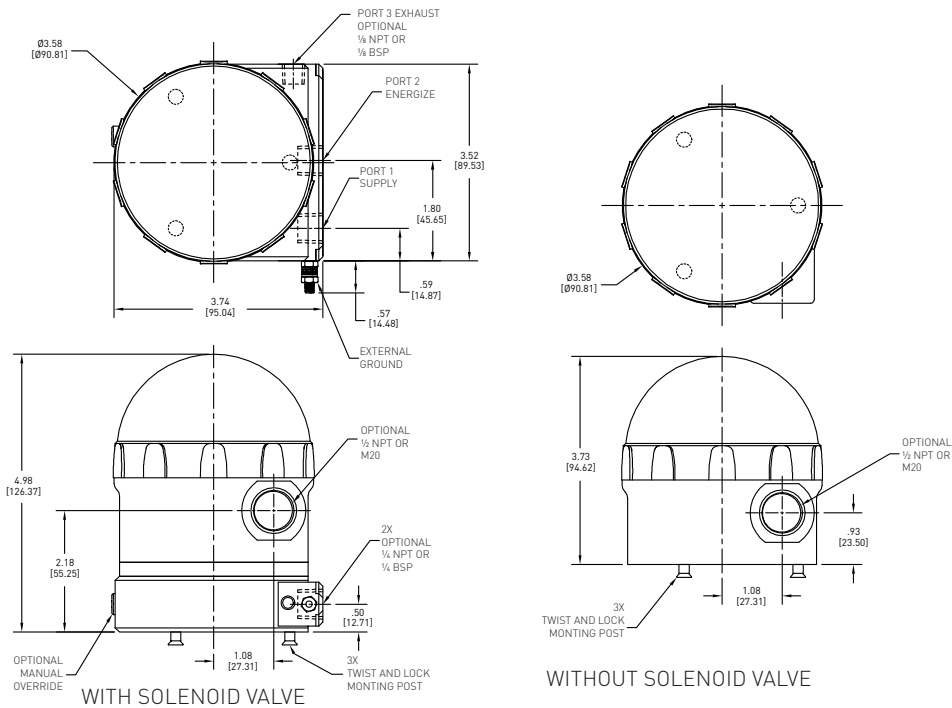
## 4. Self-setting limit switches

Self-setting position limit switch assembly is engineered to reduce control room nuisance alarms and false trips created by changes in seat durometer.

## 5. Solenoid spool design

Integrated puck style base mounted solenoid.

### Pharma II dimensions



Dimensions in inches, where available metric dimension (mm) in parentheses.

### Technical specifications

#### Materials of construction

Enclosure	Engineered resin
Beacon	Co-polyester
Solenoid valve	Stainless steel (with engineered resin block)

#### Available switches

99P2	Hermetically sealed bifurcated dry contact switch elements
76P2/77P2	Hall effect sensors

### Notes

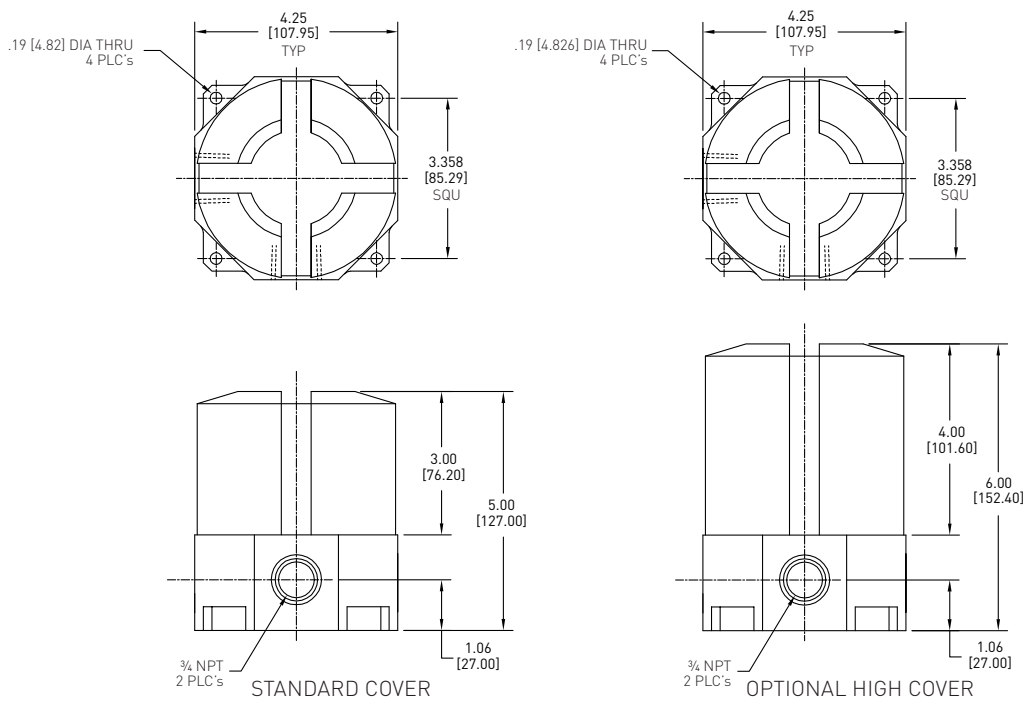
#### Mounting kits

Mounting kits sold separately; please contact your local sales representative for mounting kit part numbers and pricing.

#### Switches and sensors

For further information see our switches and sensors data sheet.

**AccuTrak 9881 dimensions**



Dimensions in inches, where available metric dimension [mm] in parentheses.

**Technical specifications**

**Materials of construction**

Enclosure Aluminum with powder coat finish

**Available switches**

Magnum, SPDT hermetically sealed switches with tungsten contacts

**Notes**

**Sanitary valve ordering code**

(see selection guide)

**Switches and sensors**

For further information see our switches and sensors data sheet.

**Mounting kits**

Mounting kits sold separately; please contact your local sales representative for mounting kit part numbers and pricing.

**Specifying your control monitor**

Specifying a control monitor is a complex process as there are many variables which affect each individual application. To ensure that you receive the best possible combination for your control and monitoring requirement, please contact your local sales office for advice and guidance from one of our experts.

**Hazardous area classification**

Please see our data sheet for further information on the global standards affecting the specification and installation of equipment in hazardous areas.

# Sanitary Valve Position and Control Monitors

## Selection Guides

Pharma II	
<b>Base model</b>	
99P2	Pharma II
76P2	DeviceNet™
77P2	AS-Interface® v3.0 (for version 2.0 contact your sales representative)
<b>Conduit size</b>	
1A	One ½" NPT (F) fitted with gland fitting
1M	One ½" NPT (F) fitted with mini-connector (not available with 99P2)
1U	One ½" NPT (F) fitted with micro-[Euro] connector (not available with 99P2)
1C	One M20
2G	One ½" NPT (F) and one ½" NPT (M) eliminator fitting
<b>Solenoid coil voltage</b>	
0	None
D	24 V DC
A	120 V AC (99P2 only)
<b>Spool valve</b>	
000	None
550	0.1 Cv, 3-way, stainless steel
<b>Override option</b>	
0	None
L	Locking
76P2	1M D 550 L = Model number <b>76P21M05500L</b>

AccuTrak 9881							
<b>Base model</b>							
9881	Aluminum enclosure						
<b>Shaft output</b>							
0	None						
<b>Beacon</b>							
00	No indicator						
MI	Mechanical indicator (not available on all applications)						
<b>Conduit</b>							
1B	One ¾" NPT (F), (standard when ordered with Falcon solenoid valve below)						
2B	Two ¾" NPT (F), (standard)						
2E	One ¾" NPT (F) and one ½" NPT (M) eliminator fitting*						
<b>Sanitary valve ordering code</b>							
XXXX							
<b>Model Code</b>							
<b>ITT</b>	<b>Valve Size</b>	<b>ASEPCO</b>	<b>Valve Size</b>	<b>SAUNDERS</b>	<b>Valve Size</b>		
I001	¼" (Biotek)	A001	½"	S001	¼"		
I002	½"	A002	1"	S002	½"		
I003	¾"	A003	2"	S003	¾"		
I004	1"	A004	3"	S004	1"		
I005	1½"	<b>GEMU</b>	<b>Valve Size</b>	S005	1½"		
I006	1½" Style 33			G001	½" to ½" Style 605	S006	2"
I007	2"			G002	¾" to ¾" Style 625		
I008	2" Style 33			G003	½" to 1" Style 687		
I009	3" and 4" Style 47			G004	1½" Style 687		
I010	3" and 4" Style 33		2" Style 687				
<b>Analog position transmitter</b>							
00	None						
<b>Coil Voltage</b>							
0	None**						
<b>Falcon Valve Body</b>							
00	None**						
<b>Special Valve Features</b>							
0	None**						
<b>Override Options</b>							
0	None**						
9881	0 MI 2B A002 00 0 00 0 0 = Model number <b>98810M12BA002000000</b>						

\* Eliminator fitting is ½" NPT (M) for the purpose of mounting an aftermarket solenoid valve.

\*\* For solenoid options, please consult your sales representative.

### US/Canada: Saddle Brook, NJ

Ph: +1 201 794 7650

Fax: +1 201 794 0913

E-mail: [westlockinfo@westlockcontrols.com](mailto:westlockinfo@westlockcontrols.com)

### South America: Sao Paulo, Brazil

Ph: +55 11 2588 1400

Fax: +55 11 2588 1410

E-mail: [comercial@westlock.com.br](mailto:comercial@westlock.com.br)

### Europe: Kent, England

Ph: +44 1892 516277

Fax: +44 1892 707620

E-mail: [sales@westlockuk.com](mailto:sales@westlockuk.com)

### Asia: Singapore

Ph: +65 6768 5850

E-mail: [sales@westlockuk.com](mailto:sales@westlockuk.com)