

1. Gas Test Gauge  
2. Water Test Gauge

### Description & Features:

- Economical pressure gauge and valve body assembly used for pressure testing
- Bleed port and plated housing on the gas test assembly
- Swivel hose adaptor on the Water Test Gauge
- Black steel case
- Brass or lead free brass wetted parts
- Dual scale (PSI/kPa)
- $\pm 3-2-3\%$  accuracy
- ASME B40.100 compliant
- CRN registered
- 5 year warranty

### Applications:

- Residential & commercial pressure testing of natural gas, air and water lines
- Lead free version for potable water systems
- Suitable for non-clogging and non-corroding media

### Specifications

<b>Dial</b>	2" (50mm), 2.5" (63mm) white aluminum with black and red markings
<b>Case</b>	Steel painted black
<b>Lens</b>	PETG: Polycarbonate PETM, PETM-LF, PETW, PETW-LF: Acrylic
<b>Ring</b>	Steel, painted black
<b>Bourdon Tube</b>	PET: Phosphor bronze PET-LF: Lead free phosphor bronze
<b>Movement</b>	Brass
<b>Pointer</b>	Aluminum, black
<b>Connection</b>	PETG: 3/4" NPTF PETM, PETM-LF, PETW, PETW-LF: 3/4" female swivel hose connection
<b>Maximum Pointer</b>	Available on Water Test Gauge only
<b>Welding</b>	#50 tin solder
<b>Ambient/Process Temperature</b>	-40°F to 150°F (-40°C to 65°C)
<b>Gas Test</b>	-40°F to 150°F (-40°C to 65°C)
<b>Water Test</b>	32°F to 150°F (0°C to 65°C)
<b>Working Pressure</b>	Maximum 75% of full scale value
<b>Accuracy</b>	$\pm 3-2-3\%$ ANSI/ASME Grade B
<b>Enclosure Rating</b>	IP52

### PET Order Codes (products in bold are normally stock in North America)

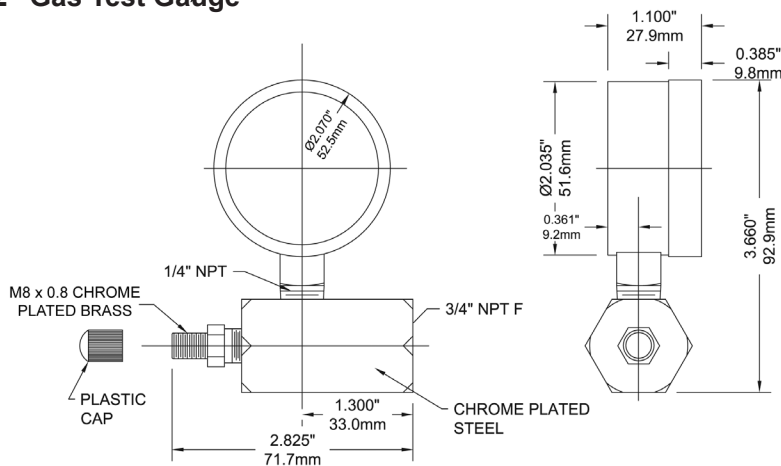
Product	Gas Test Gauge	Water Test Gauge	Maximum Pointer Water Test Gauge
Dial Size	<b>2" (50mm)</b>	<b>2.5" (63mm)</b>	<b>2.5" (63mm)</b>
Connection	<b>Adapts to 3/4" NPTF</b>	<b>3/4" Female Swivel Hose Connection</b>	<b>3/4" Female Swivel Hose Connection</b>
0/15 psi	<b>PETG201</b>	-	-
0/30 psi/kPa	<b>PETG202</b>	-	-
0/60 psi/kPa	<b>PETG203</b>	-	-
0/100 psi/kPa	<b>PETG204</b>	-	-
0/160 psi/kPa	PETG205	PETW213	<b>PETM213</b>
0/300 psi/kPa	-	<b>PETW217</b>	<b>PETM217</b>

### PET-LF Order Codes (products in bold are normally stock in North America)

Product	Water Test Gauge	Maximum Pointer Water Test Gauge
Dial Size	<b>2.5" (63mm)</b>	<b>2.5" (63mm)</b>
Connection	<b>3/4" Female Swivel Hose Connection</b>	<b>3/4" Female Swivel Hose Connection</b>
0/160 psi/kPa	<b>PETW213LF</b>	<b>PETM213LF</b>
0/300 psi/kPa	<b>PETW217LF</b>	<b>PETM217LF</b>

Other ranges and connection sizes available upon request. For scale change, refer to How to Order Guide for scale codes.

### 2" Gas Test Gauge



### 2.5" Water Test Gauge

