



1. Bottom Connection
2. Back Connection

Description & Features:

- Highly accurate reading of low pressures
- Brass or stainless steel wetted parts
- Ranges from 15" H₂O/oz to 10 psi
- Over-pressure protection on some models (OP)
- ASME B40.100 compliant
- CRN registered
- 5 year warranty

Applications:

- Suitable for measuring gaseous media both corrosive and non-corrosive
- Used to measure natural gas pressure as well as air flow indication and leak detection
- Vacuum pumps, air compressors, air filters, gas burners, vacuum ovens, suction regulators and respirators

Specifications	Stainless Steel Internals	Brass Internals
Dial	2.5" (63mm), 4" (100mm), 4.5" (115mm) and 6" (150mm), white aluminum with black and red markings	2.5" (63mm), 4" (100mm), 4.5" (115mm) and 6" (150mm), white aluminum with black and red markings
Case	2.5" (63mm), 4" (100mm): AISI 304 SS 4.5" (115mm), 6" (150mm): Aluminum, painted black	2.5" (63mm), 4" (100mm): Steel, painted black 4.5" (115mm), 6" (150mm): Cast aluminum, painted black
Lens	2.5" (63mm), 4" (100mm): Polycarbonate 4.5" (115mm), 6" (150mm): Glass	2.5" (63mm), 4" (100mm): Polycarbonate 4.5" (115mm), 6" (150mm): Glass
Ring	2.5" (63mm), 4" (100mm): No ring 4.5" (115mm), 6" (150mm): Aluminum	2.5" (63mm): No ring 4" (100mm): Steel 4.5" (115mm), 6" (150mm): Aluminum
Socket	AISI 316 SS	Brass
Connection	1/4" NPT standard	1/4" NPT standard
Diaphragm Element	AISI 316 SS	Phosphor bronze
Movement	AISI 316 SS	2.5" (63mm): Engineering plastic upper and lower plate with brass pinion and sector; 4" (100mm), 4.5" (115mm), 6" (150mm): Brass
Pointer	Aluminum, anodized black	Aluminum, anodized black
Welding	TIG	Solder/brazed
Working Pressure	75% of full scale value	60% of full scale value (fluctuating) 75% of full scale value (static)
Over-pressure Limit	30% of full scale value	30% of full scale value, up to 200% with over-pressure protection (OP) option
Ambient/Process Temperature	-40°F to 150°F (-40°C to 65°C)	-40°F to 150°F (-40°C to 65°C)
Accuracy	±1.6% of full scale	±3-2-3% ANSI/ASME Grade B
Enclosure Rating	IP52	IP52

Order Codes (products in bold are normally stock in North America)

Dial Size	2.5" (63mm)			4" (100mm)				4.5" (115mm)			
Case Material	Steel		SS	Steel		SS	Aluminum				
Connection	1/4" Bottom	1/4" Back (CB)	1/4" Bottom	1/4" Bottom	1/4" Back (CB)	1/4" Back (CB)	1/4" Bottom	1/4" Bottom	1/4" Back (CB)	1/4" Bottom	1/4" Back (CB)
Capsule, Movement, Socket	Brass		SS	Brass		SS	Brass		SS		
0/15" water/vac	PLP300V	PLP340V	PLP350V	PLP310V	PLP4230V	PLP4240V	PLP4200V	PLP4250V	PLP4290V	PLP4260V	PLP4300V
0/32" water/vac	PLP301V	PLP341V	PLP351V	PLP311V	PLP4231V	PLP4241V	PLP4201V	PLP4251V	PLP4291V	PLP4261V	PLP4301V
0/55" water/vac	PLP302V	PLP342V	PLP352V	PLP312V	PLP4232V	PLP4242V	PLP4202V	PLP4252V	PLP4292V	PLP4262V	PLP4302V
0/100" water/vac	PLP304V	PLP343V	PLP353V	PLP313V	PLP4233V	PLP4243V	PLP4203V	PLP4253V	PLP4293V	PLP4263V	PLP4303V
0/200" water/vac	PLP303V	-	PLP356V	-	-	-	-	-	-	-	-
0/15" water/oz	PLP300	PLP340	PLP350	PLP310	PLP4230	PLP4240	PLP4200	PLP4250	PLP4290	PLP4260	PLP4300
0/32" water/oz	PLP301	PLP341	PLP351	PLP311	PLP4231	PLP4241	PLP4201	PLP4251	PLP4291	PLP4261	PLP4301
0/55" water/oz	PLP302	PLP342	PLP352	PLP312	PLP4232	PLP4242	PLP4202	PLP4252	PLP4292	PLP4262	PLP4302
0/100" water/oz	PLP304	PLP343	PLP353	PLP313	PLP4233	PLP4243	PLP4203	PLP4253	PLP4293	PLP4263	PLP4303
0/200" water/oz	PLP303	PLP346	PLP356	PLP316	PLP4236	PLP4246	PLP4206	PLP4256	PLP4296	PLP4266	PLP4306
0/5 psi/kPa	PLP305	PLP344	PLP354	PLP314	PLP4234	PLP4244	PLP4204	PLP4254	PLP4294	PLP4264	PLP4304
0/10 psi/kPa	PLP306	PLP345	PLP355	PLP315	PLP4235	PLP4245	PLP4205	PLP4255	PLP4295	PLP4265	PLP4305

Dial Size	6" (150mm)			
Case Material	Aluminum			
Connection	1/4" Bottom	1/4" Back (CB)	1/4" Bottom	1/4" Back (CB)
Capsule, Movement, Socket	Brass		SS	
0/15" water/vac	PLP4310V	-	PLP4320V	-
0/32" water/vac	PLP4311V	-	PLP4321V	-
0/55" water/vac	PLP4312V	-	PLP4322V	-
0/100" water/vac	PLP4313V	-	PLP4323V	-
0/200" water/vac	-	-	-	-
0/15" water/oz	PLP4310	-	PLP4320	PLP4360
0/32" water/oz	PLP4311	PLP4351	PLP4321	PLP4361
0/55" water/oz	PLP4312	-	PLP4322	-
0/100" water/oz	PLP4313	PLP4353	PLP4323	PLP4363
0/200" water/oz	PLP4316	-	PLP4326	-
0/5 psi/kPa	PLP4314	PLP4354	PLP4324	PLP4364
0/10 psi/kPa	PLP4315	PLP4355	PLP4325	PLP4365

Dial Size	2.5" (63mm)
Case Material	Steel
Connection	1/4" Bottom
Capsule, Movement, Socket	Brass w/Over-pressure protection
0/5 psi/kPa	PLP305OP
0/8 psi/kPa	PLP307OP
0/10 psi/kPa	PLP306OP

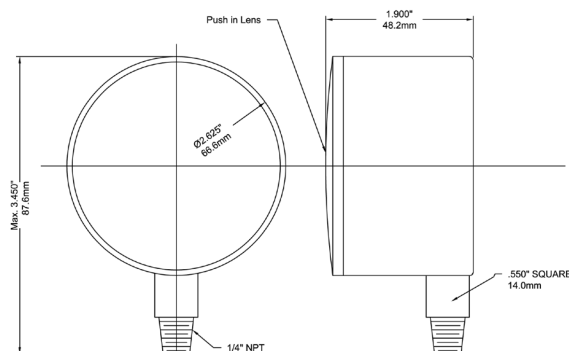
Other ranges and connection sizes available upon request. For scale change, refer to How to Order Guide for scale codes. **For options, attach suffix to end of order code: i.e. PLP340-UC for U-CLAMP**

Option suffix:

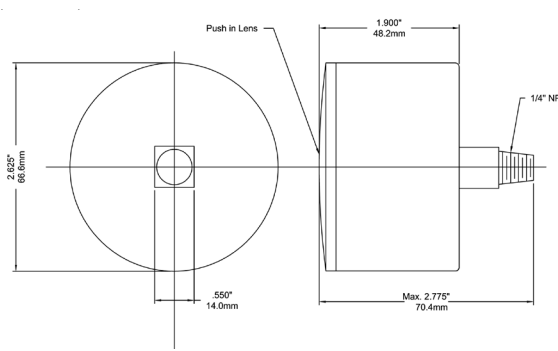
3Y = 4" (100mm) PBT Enclosure
 LPBF = Back flange (all sizes except 2.5" (63mm))
 LPFF = 4.5" (115mm) Front flange

LPFF6 = 6" (150mm) Front flange
 UC = 2.5" (63mm) U-clamp

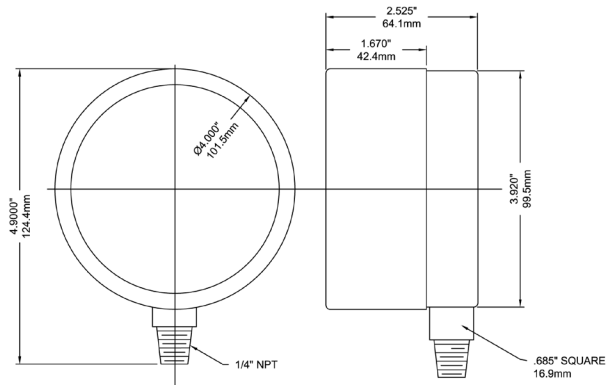
2.5" Bottom Connection Brass



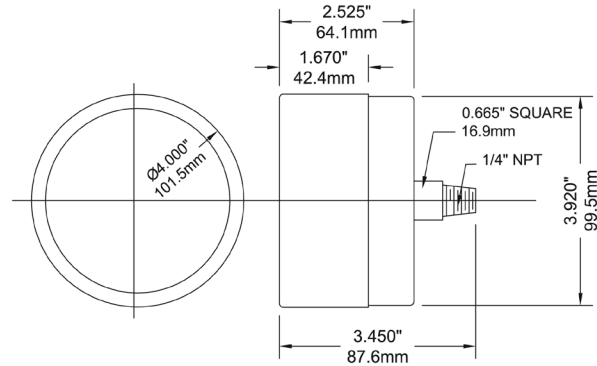
2.5" Back Connection Brass



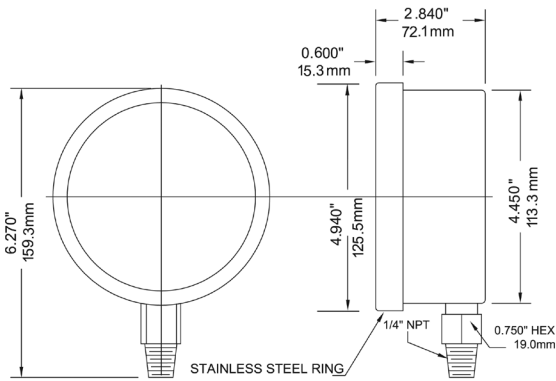
4" Bottom Connection Brass



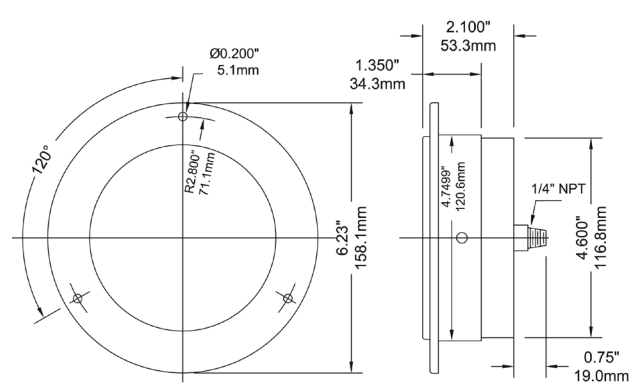
4" Back Connection Brass



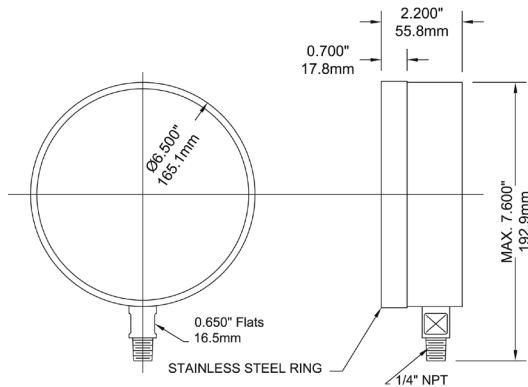
4.5" Bottom Connection Stainless Steel



4.5" Back Connection Stainless Steel with Front Flange



6" Bottom Connection Stainless Steel



6" Back Connection Stainless Steel with Front Flange

