

# DM10 ( SERIES SPRING RETURN CARTRIDGES )

The SOLDO DM10 series Spring Return cartridges are used on manually operated valves to ensure that a fail safe position is achieved. The hand wheel is used to manually operate the valve and when the operator releases the hand wheel the spring return cartridge will automatically stroke the valve to the failsafe position.

## ( HAND WHEEL OPERATOR )

A hand wheel is utilized to prevent safety risks that are associated with spring return lever operators.

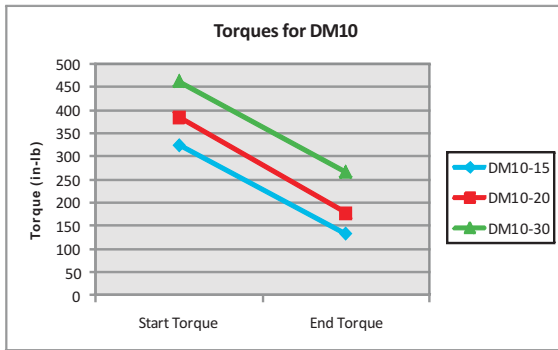
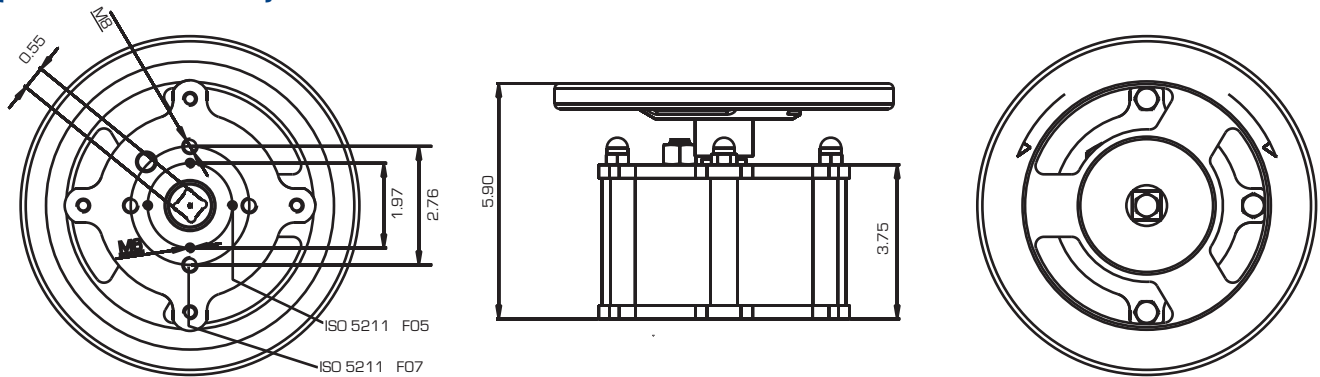
## ( ENCLOSED WEATHER PROOF HOUSING )

The spring, pinion and limit stops are fully enclosed in an aluminium and steel housing. This provides a rugged enclosure with environmental protection and also provides protection for the operator.

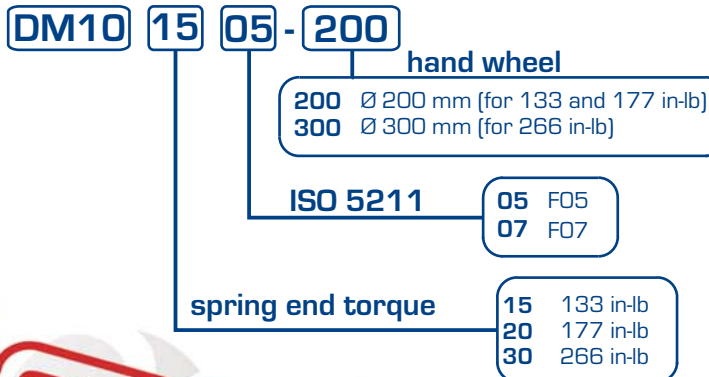
## ( STANDARDIZED MOUNTING )

Housing mounting pattern conforms to the international dimensional standard ISO 5211. This maximizes interchangeability and simplifies mounting hardware requirements.

## ( DIMENSION inch )



## ( HOW TO ORDER )



## ( MATERIALS )

Body : anodized aluminium  
End caps & Shaft : nickel plated carbon steel  
Spring : spring steel  
Bushing : delrin  
Seals : buna N

**SOLDO**  
CONTROLS

BULLETIN NUMBER: PS00074-03

**SOLDO USA LLC**  
10178 International Blvd. - Cincinnati, Ohio 45246  
tel. (513) 860-5465 - fax (513) 860-5464  
e-mail: usa@soldo.net