

Nickel-Plated Brass Adjustable Non-Return Valves

These nickel-plated brass adjustable non-return valves, suitable for **harsh environments**, allow compressed air to flow in one direction and prevent flow in the other. This product incorporates **precise adjustment** of opening pressure for greater flexibility.

Product Advantages

- Robust** | Excellent resistance to abrasion and corrosion
Developed for the food process industry
- Optimised Inventory Management** | A single valve for multiple opening pressure settings
Limits the number of versions
Flexibility of use
- Protection & Safety** | Maintains downstream pressure if upstream pressure drops
Designed with locking nut to protect initial setting in the event of:
 - vibration
 - intensive use
 - accidental handling
 Adjustment and locking of the non-return valve cracking pressure with two different Allen keys prevents the settings from being accidentally changed
Smooth external profile to facilitate cleaning in situ
Maximum constant flow guaranteed whatever the setting of the cracking pressure



Applications

- Printing
- Machine Tools
- Food Process
- Petrochemical
- Textile
- Automotive Process
- Chemical

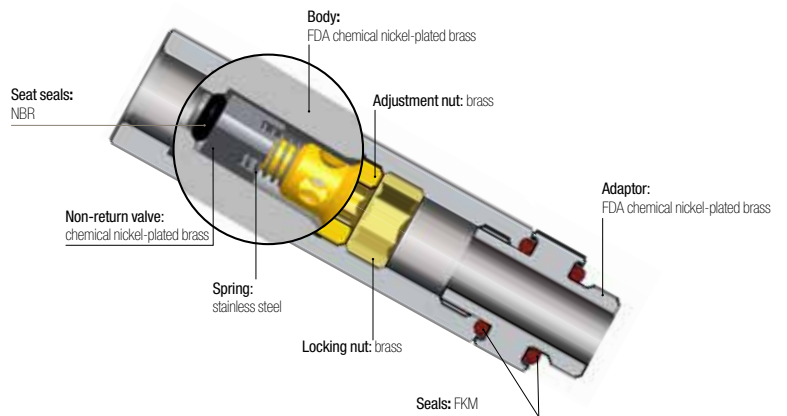
Technical Characteristics

Compatible Fluids	Compressed air
Working Pressure	0 to 12 bar
Working Temperature	-20°C to +80°C

Cracking Pressure	Threads	0 to 4 turns (values given as an example only)
	M5x0.8 - G1/8 - G1/4	1 to 0.10 bar
G3/8	1 to 0.15 bar	
G1/2	1 to 0.20 bar	

Max. Tightening Torques	Threads	M5x0.8	G1/8	G1/4	G3/8	G1/2
	daN.m		0.16	0.8	1.2	3

Component Materials



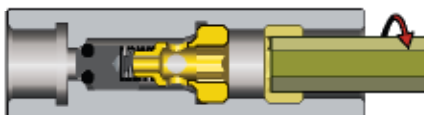
Silicone-free

Regulations

- DI: 2002/95/EC (RoHS)
- RG: External Components: 21CFR (FDA)
(seal: § 177.2600, nickel: §184.1537, grease: NSF H1)
- RG: 1935/2004 (external surface flow \geq 0.02 litre per hour)
- DI: 2006/42/EC (external surface Pa < 0.8 μ m)
- RG: 1907/2006 (REACH)

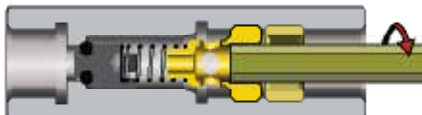
Operation

Step 1



Unscrew the locking nut with an Allen key.

Step 2



Unscrew the adjustment nut with a smaller Allen key to adjust the cracking pressure. The number of turns adjusts the cracking pressure from 1 bar to 0.10 bar.

Step 3



Tighten the locking nut with the Allen key to lock the cracking pressure setting. Then, control the pressure with a pressure gauge downstream.