

EL Series Bimetal Thermometers



FEATURES

- *Silicone liquid fill*
- *1% full span accuracy ASME B40.200 (ASME B40.3 Grade A)*
- *Maximum ambient temp. is 150°F (65°C)*
- *Hermetically sealed case to prevent entry of moisture, interior corrosion and coil freeze-up.*
- *External adjustment permits zero reset from outside the case.*
- *Maxivision® dial allows readability from any angle without parallax error.*
- *Silicone coil dampening (up to 400°F) provides vibration dampening and improves response time.*
- *All-welded stainless steel construction*
- *Durable polycarbonate window*
- *Protection NEMA 4X/IP66*
- *Five-year limited warranty*



SPECIFICATIONS

Ashcroft®																			
Series:	EL																		
Dial Sizes:	3", 5"																		
Stem Length:	2½"-36" ⁽¹⁾																		
Case & Stem:	304 stainless steel, hermetically sealed																		
Stem Dia:	.250"																		
Window:	Durable polycarbonate window																		
Dial:	Maxivision®, black figures on white background																		
Pointer:	Black																		
Connection:	½ NPT and ½ NPT union																		
Connection Location:	Everyangle™, Rear																		
Ranges:	-40/160°F-50/550°F -20/120°C-0/300°C																		
Options:	<table border="0"> <tr> <td>Code Description</td> <td></td> </tr> <tr> <td>C4</td> <td>Individual calibration cert.</td> </tr> <tr> <td>XCS</td> <td>Dual scale</td> </tr> <tr> <td>XDM</td> <td>Dial marking</td> </tr> <tr> <td>XNH</td> <td>Stainless steel tag</td> </tr> <tr> <td>XNN</td> <td>Paper tag</td> </tr> <tr> <td>X3B</td> <td>¾" stem dia. with ½ NPT</td> </tr> <tr> <td>X02</td> <td>¼ NPT when ½ NPT is standard⁽²⁾</td> </tr> <tr> <td>XYW</td> <td>316 SS housing and stem⁽³⁾</td> </tr> </table>	Code Description		C4	Individual calibration cert.	XCS	Dual scale	XDM	Dial marking	XNH	Stainless steel tag	XNN	Paper tag	X3B	¾" stem dia. with ½ NPT	X02	¼ NPT when ½ NPT is standard ⁽²⁾	XYW	316 SS housing and stem ⁽³⁾
Code Description																			
C4	Individual calibration cert.																		
XCS	Dual scale																		
XDM	Dial marking																		
XNH	Stainless steel tag																		
XNN	Paper tag																		
X3B	¾" stem dia. with ½ NPT																		
X02	¼ NPT when ½ NPT is standard ⁽²⁾																		
XYW	316 SS housing and stem ⁽³⁾																		

(1) 25"-36" lengths available, consult factory

(2) Only available on rear connection

(3) Only available on 5" Everyangle™

Thermowells must be used on all pressure or velocity applications, to protect the stem of thermometer from corrosion and physical damage, and to facilitate removal of the thermometer without disturbing the process. Maximum ambient temperature is 150°F (65°C).

HOW TO ORDER

30 EL 60 R 040 0/250°F XNH

Dial Size: 3" Code 30	_____	_____	_____	_____	_____
Case Style: EL	_____	_____	_____	_____	_____
Stem Connection: ½ NPT Code 60	_____	_____	_____	_____	_____
Stem Location: Rear Code R	_____	_____	_____	_____	_____
Stem Length: 4" Code 040	_____	_____	_____	_____	_____
Range: Code 0/250°F	_____	_____	_____	_____	_____
Options: Stainless steel tag	_____	_____	_____	_____	_____

EL Series Bimetal Thermometers

EL Series selection table																					
Case	Size	Dial Code	Style Code	Stem			Stem Lengths Available "S"			Temperature Range											
				Conn.	Code	Location	Code	Length (inches)	Code	°F* Fahrenheit	% Div.	Fig. Inter.	°C Celsius	% Div.	Fig. Inter.						
3"	30	EL	½ NPT	60	Rear	R	2½	025	-40/160	2	20	-10/110	2	10							
							4	040	-20/120††			-20/120									
							6	060	30/130††			0/50††									
							5"	50	EL	½ NPT Union	42	Everyangle	E	9	090	0/200	2	20	0/100	1	10
														12	120	0/250			10/150		
														15	150	50/300			50/550		
5"	50	EL	½ NPT	60	Rear	R								18	180	5	50	5	50		
														24	240						

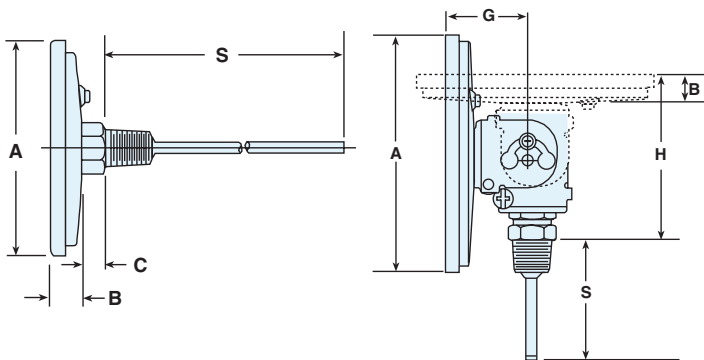
EL Series dual scale ranges	
Inner	Outer
-40/160°F	and -40/70°C
-20/120°F	and -30/50°C†
0/200°F	and -20/90°C
0/250°F	and -20/120°C
30/130°F	and 0/55°C†
50/300°F	and 10/150°C
50/550°F	and 10/290°C

EL Dimensions											
Case Series	Dial Size	Connection Location	A	B	C	G	H	S	NPT	Hex	Weight in ounces ⁽³⁾
EL	3"	Rear	3½ (80)	1½ (15)	¾ (8)	-	-	-(2)	½	¾	S - 2½"
EL	5"	Rear	5½ (128)	2½ (18)	¾ (8)	-	-	-(2)	½	¾	16
EL	5"	Everyangle	5½ (128)	2½ (18)	-	1½ (48)	3½ (93)	-(2)	½	¾	25

NOTES:

- Figures in parenthesis () are in millimeters. All other dimensions are in inches.
- Standard "S" dimensions are 2½, 4, 6, 9, 12, 15, 18 and 24 inches. Standard stem diameter is ¼ inch.
- Add 1 oz. for every 2 inches of stem length.

DIMENSIONS



*Dual scale ranges available for all standard °F ranges
Use Ashcroft Duratemp® thermometers for ranges above and below those listed above.
††Minimum stem length for Everyangle is 4".

Overtemperature limits	
Top of Range °F	Maximum Over Temperature
up to 160	100% of span
161/300	300°F
301/550	550°F