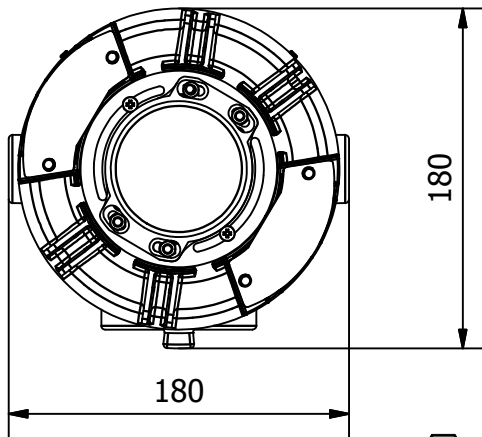
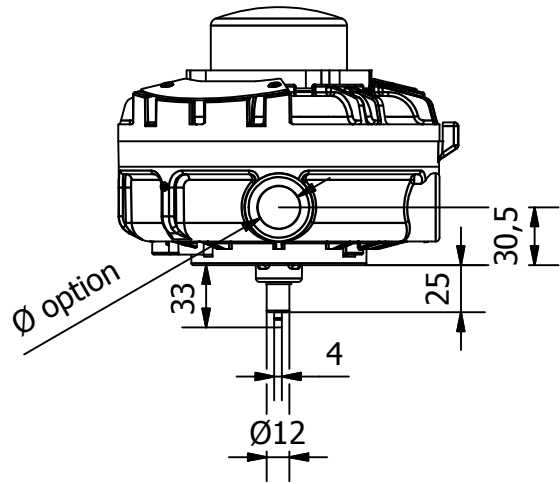
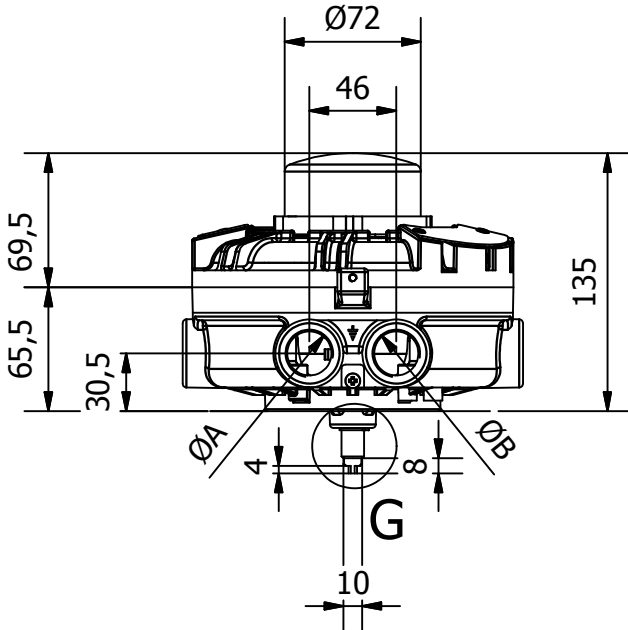
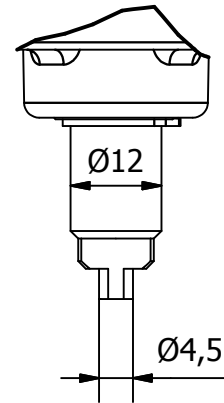


G (1:1)



INGRESSO CAVI - CABLE ENTRY		
CODE	ENTRY A	ENTRY B
1	1/2" NPT	1/2" NPT
2	M20 x 1,5	M20 x 1,5
7	3/4" NPT	3/4" NPT
8	M25 x 1,5	M25 x 1,5

PART NUMBER:

SY-SR

GENERAL TOLERANCES (UNI 5307) - PRECISION DEGREE:
TOLLERANZE GENERALI (UNI 5307) - GRADO DI PRECISIONE:
HOLES TOL. + / SHAFTS TOL. - / DEGREE:
FORO TOL. + / ALBERO TOL. - / GRADO:

WHERE NOT SPECIFIED FLASHES AND SHARP EDGES SHALL BE REMOVED
Ove non espressamente indicato togliere bave e spigoli vivi

ST Quote evidenziate da controllare

ST Checked dimensions

DEVIATION FOR LINEAR DIMENSIONS (\pm)
DEVIATIONE DALLE DIMENSIONI LINEARI

DIMENSIONE/DIMENSIONE	PRECISION DEGREE / GRADO DI PRECISIONE		
	ROUGH / GROSSOLANO	MEDIUM / MEDIO	PRECISE / PRECISO
up to 6	0.2	0.1	0.05
> 6 up to 30	0.5	0.2	0.1
> 30 up to 120	0.8	0.3	0.15
> 120 up to 315	1.2	0.5	0.2

DIMENSIONE/DIMENSIONE	PRECISION DEGREE / GRADO DI PRECISIONE		
	ROUGH / GROSSOLANO	MEDIUM / MEDIO	PRECISE / PRECISO
> 315 up to 1000	2	0.8	0.3
> 1000 up to 2000	3	1.2	0.5
> 2000 up to 4000	4	2	--
> 4000	5	3	--

DEVIATION FOR ANGULAR DIMENSIONS (\pm)
DEVIATIONE ANGOLARE (\pm)

DIMENSIONE/DIMENSIONE (SHORT SIDE / LATO CORTO)	FOR ALL PRECISION DEGREES / PER TUTTI I GRADI DI PRECISIONE
> 3 up to 6	1'
> 6 up to 30	30'
> 30 up to 120	20'
> 120	10'

N.rev	Nota sulla revisione/Revision note	Data/Date	Signat.	Designer: BL	Checked by: G.L.	Material:	Dimensions mm.	
				Treatment:	3.2	Values for not stated dimensions: Radii R= Chamfers =	A4	Scale:
				Description: SY-SR Dimensional drawing				
				Drawing number / rev. SL-0225184-00		Date: 20/10/2008		

