

FEATURES

- Acid sensing component (yellow in photo turns **red** when exposed to acid with a pH ≤3.0)
- Available with pressure ranges to 10,000 psi
- Gauge welded to seal (STD.)
- Available with Halocarbon[®] fill for oxidizing acids
- Orange or yellow gauge case for identification (OPT.)
- Available with Silicone-free **PLUS!**[™] Performance
- Custom dials available

SPECIFICATIONS

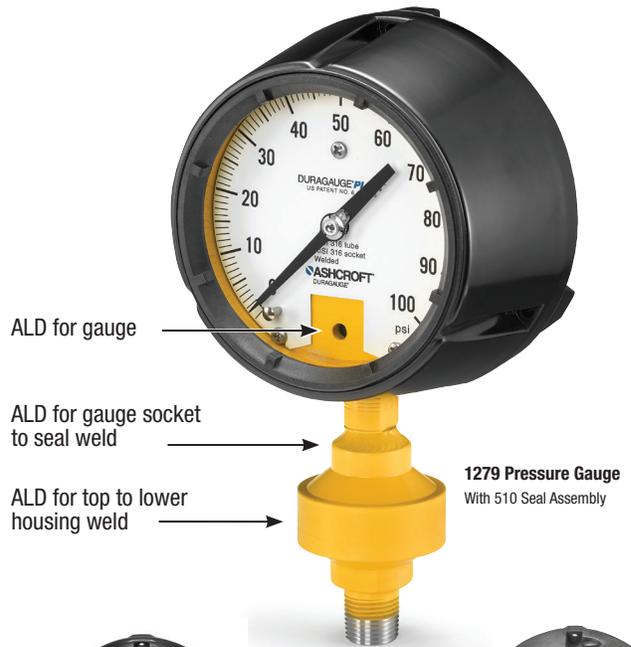
Accuracy:	1259, 1279: ±1.0% of span T6500: ±1.5% of span
Dial Sizes:	1259, 1279: 4½" T6500: 100mm
Process Connection:	½ NPT
Case Style:	Solid front with pressure relief back
Pointer:	Micrometer, adjustable, aluminum
Weather Protection:	Hermetically sealed: IP66
Diaphragm Seal Type:	510 Threaded or DF Flanged
Window Material:	1259: Safety glass (STD.) acrylic (OPT.) 1279: Safety glass (STD.), non-glare glass (OPT.) or acrylic (OPT.) T6500: Safety glass or polycarbonate (OPT.)
Tamper Proof Design:	Diaphragm seal welded to gauge socket
Pressure Rating (MAWP):	Vac. to 1,500 psi @ 100°F 1,500 to 10,000 psi @ 100°F (OPT.)

WETTED COMPONENTS

Models	Diaphragm	Lower Housing
510	316L SS, Hastelloy [®] C-276 or Monel [®]	316 SS, Hastelloy [®] C-276 or Monel [®]
DF Flanged	316L SS, Hastelloy [®] C-276, Monel [®] or Tantalum	N/A

NON-WETTED COMPONENTS

Models	Top Housing
510	316L Stainless steel, Monel [®]
DF Flanged	316L Stainless steel

 Consult material selector/corrosion guide at www.ashcroft.com for acid compatibility

1279 Pressure Gauge
 With 510 Seal Assembly

1279 Pressure Gauge
 With Flanged DF Seal Assembly

1259 Pressure Gauge
 With 510 Seal Assembly

KEY BENEFITS

- Tamper proof design, gauge welded to seal
- Visual indication of leaking process media
- Dual containment for safety

NON-WETTED COMPONENTS

Models	Case	Ring	Back Cover
1259	PBT	PBT	PBT
1279	Phenolic	Polycarbonate	Polycarbonate
T6500	304 SS	304 SS	304 SS

Data Sheet

Acid Leak Detection (ALD) Assembly

ORDERING CODE	Example:	45	ALD	1	S	1P	P	04	G	100#	-XOC
Dial Size											
45 - 4½" dial (available only with cases 1 and 2)		45									
10 - 100mm dial (available only with case 3)											
Assembly											
ALD - Acid leak detection			ALD								
Case											
1 - 1279 (available only with dial size 4½")				1							
2 - 1259 (available only with dial size 4½")											
3 - T6500 (available only with dial size 100mm)											
Bourdon Tube & Gauge Process Connection											
S - 316 Stainless steel					S						
P - Monel [®]											
Diaphragm Seal and Material											
1S (510) - 316L Stainless steel											
1P (510) - Monel [®] (available only with (P-Monel [®]) lower housing)						1P					
1H (510) - Hastelloy [®] C-276											
2S (DF) - 316L Stainless steel											
2P (DF) - Monel [®]											
2H (DF) - Hastelloy [®] C-276											
2U (DF) - Tantalum											
Lower Housing Material (510 seal only)											
N - No lower housing for DF seal											
S - 316L Stainless steel											
P - Monel [®] (available only with (P-Monel [®]) diaphragm material)							P				
H - Hastelloy [®] C-276											
Process Connection Size and Type											
04 - ½ NPT Male								04			
1A - 1" 150RF Flange DF seal											
1B - 1" 300RF Flange DF seal											
1C - 1" 600RF Flange DF seal											
1D - 1.5" 150RF Flange DF seal											
1E - 1.5" 300RF Flange DF seal											
1F - 1.5" 600RF Flange DF seal											
2A - 2" 150RF Flange DF seal											
2B - 2" 300RF Flange DF seal											
2C - 2" 600RF Flange DF seal											
2D - 2" 1500RF Flange DF seal											
3A - 3" 150RF Flange DF seal											
3B - 3" 300RF Flange DF seal											
3C - 3" 600RF Flange DF seal											
3D - 3" 900RF Flange DF seal											
3E - 3" 1500RF Flange DF seal											
System Fill Fluid											
G - Glycerin									G		
S - Silicone											
H - Halocarbon [®]											
Range (see data sheet)											
100# - 100 psi										100#	
Options (if in choosing an option(s) must include an "X")											
D3 - DuraVis™ Retroreflective Dial (dry case only)											-X_
HP - High pressure seal option for ranges 2,000 psi to 10,000 psi											
LL - PLUS! ™ Performance (1279, T6500 only)											
NZ - Silicone free PLUS! ™ Performance (1279, T6500 only)											
OC - Orange case (available only with case 1)											OC
PD - Acrylic window (recommended for HF applications)											
YC - Yellow case (available only with case 1)											

Data Sheet

Acid Leak Detection (ALD) Assembly

1259, 1279 Pressure Ranges					
	psi	bar	kPa	mPa	kg/cm ²
Vacuum	30IMV	N1BR	N100KP	N1MP	N1KG
	-	N1/.6BR	N100/60KP	.1/.06MP	N1/.6KG
Compound	V/15#	-	-	-	-
	-	N1/1.5BR	N100/150KP	N.1/.15MP	N1/1.5KG
	V/30#	-	-	-	-
	-	N1/3BR	N100/300KP	N.1/.3MP	N1/3KG
	V/60#	-	-	-	-
	-	N1/5BR	N100/500KP	N.1/.5MP	N1/5KG
	V/100#	-	-	-	-
	-	N1/9BR	N100/900KP	N.1/.9MP	N1/9KG
	15#	1BR	100KP	.1MP	1KG
	20#	-	-	-	-
	-	1.6BR	160KP	.16MP	1.6KG
	30#	-	-	-	-
	-	2.5BR	250KP	.25MP	2.5KG
	60#	4BR	400KP	.4MP	4KG
	-	6BR	600KP	.6MP	6KG
	100#	-	-	-	-
	120#	-	-	-	-
	-	10BR	1000KP	1MP	10KG
160#	-	-	-	-	
200#	-	-	-	-	
-	16BR	1600KP	1.6MP	16KG	
300#	-	-	-	-	
-	25BR	2500KP	2.5MP	25KG	
400#	-	-	-	-	
500#	-	-	-	-	
600#	40BR	4000KP	4MP	40KG	
800#	-	-	-	-	
-	60BR	6000KP	6MP	60KG	
1000#	-	-	-	-	
1500#	100BR	10000KP	10MP	100KG	
2000#	-	-	-	-	
-	160BR	16000KP	16MP	160KG	
3000#	-	-	-	-	
-	250BR	25000KP	25MP	250KG	
4000#	-	-	-	-	
5000#	-	-	-	-	
6000#	400BR	40000KP	40MP	400KG	
8000#	-	-	-	-	
-	600BR	60000KP	60MP	600KG	
10000#	-	-	-	-	

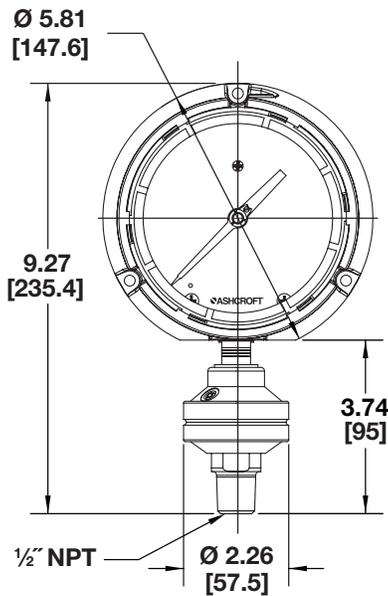
T6500 Pressure Ranges					
	psi	bar	kPa	mPa	kg/cm ²
Vacuum	30IMV	N1BR	N100KP	N1MP	N1KG
	-	N1/.6BR	N100/60KP	.1/.06MP	N1/.6KG
Compound	V/15#	-	-	-	-
	-	N1/1.5BR	N100/150KP	N.1/.15MP	N1/1.5KG
	V/30#	-	-	-	-
	-	N1/3BR	N100/300KP	N.1/.3MP	N1/3KG
	V/60#	-	-	-	-
	-	N1/5BR	N100/500KP	N.1/.5MP	N1/5KG
	V/100#	-	-	-	-
	-	N1/9BR	N100/900KP	N.1/.9MP	N1/9KG
	15#	1BR	100KP	.1MP	1KG
	20#	-	-	-	-
	-	1.6BR	160KP	.16MP	1.6KG
	30#	-	-	-	-
	-	2.5BR	250KP	.25MP	2.5KG
	60#	4BR	400KP	.4MP	4KG
	-	6BR	600KP	.6MP	6KG
	100#	-	-	-	-
	120#	-	-	-	-
	-	10BR	1000KP	1MP	10KG
160#	-	-	-	-	
200#	-	-	-	-	
-	16BR	1600KP	1.6MP	16KG	
300#	-	-	-	-	
-	25BR	2500KP	2.5MP	25KG	
400#	-	-	-	-	
500#	-	-	-	-	
600#	40BR	4000KP	4MP	40KG	
800#	-	-	-	-	
-	60BR	6000KP	6MP	60KG	
1000#	-	-	-	-	
1500#	100BR	10000KP	10MP	100KG	
2000#	-	-	-	-	
-	160BR	16000KP	16MP	160KG	
3000#	-	-	-	-	
-	250BR	25000KP	25MP	250KG	
4000#	-	-	-	-	
5000#	-	-	-	-	
6000#	400BR	40000KP	40MP	400KG	
8000#	-	-	-	-	
-	600BR	60000KP	60MP	600KG	
10000#	-	-	-	-	

Data Sheet

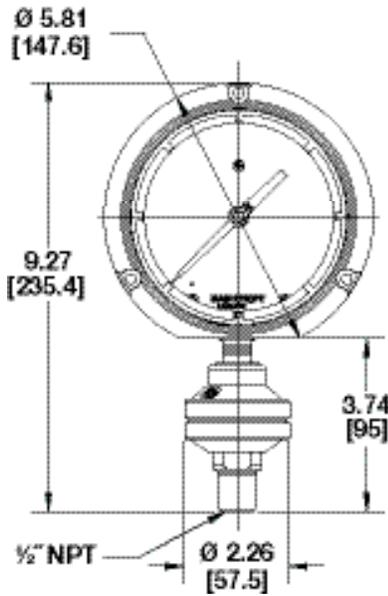
Acid Leak Detection (ALD) Assembly

DIMENSIONS in [] are millimeters

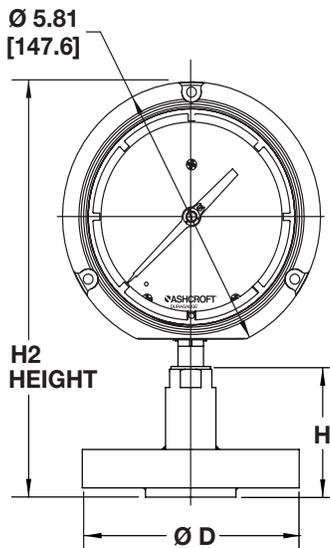
1259/510 Seal Assembly



1279/510 Seal Assembly



1279 or 1259/DF Seal Assembly



1279 or 1259/DF Seal Dimensions

SIZE DN	PRESSURE CLASSES	Ø D	H	H2 HEIGHT	MIN SPAN	WEIGHT lbs [kg]
1"	150	4.33 [110]	2.71 [68.8]	8.835 [224.4]	1bar 14.5 psi	3.3 [1.5]
	300	4.92 [125]	2.75 [69.8]	8.875 [225.4]		4.4 [2.0]
1½"	150	4.92 [125]	2.75 [69.8]	8.875 [225.4]		4.6 [2.1]
	300	6.10 [155]	2.87 [72.9]	8.995 [228.5]		7.7 [3.5]
2"	150	5.91 [150]	2.81 [71.3]	8.935 [223.95]		66 [3.0]
	300	6.50 [165]	2.93 [74.5]	9.055 [230]		88 [4.0]