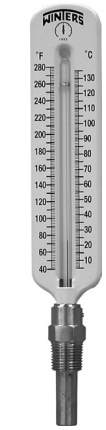


Dial Type



Scale Type



Description & Features:

- An economical and accurate way to measure air or water temperatures
- Separable brass or lead free brass thermowell
- Bi-metallic element (dial type only)
- Dual scale (°F & °C)
- Dial type or vertical scale type
- Easy to install
- 1/2" NPT process connection
- ASME B40.200 compliant
- 5 year warranty

Applications:

- Hot water lines, boilers and hydronic heating
- Lead free version for potable water systems

Dial Type Specifications

| | |
|------------------------|---|
| Dial | 2" (50mm), 2.5" (63mm) aluminum, painted white with black and red markings |
| Case | Aluminum |
| Lens | Glass |
| Ring | Steel, chrome plated |
| Thermowell | TSW: Brass (HPB59-1), 1/2" NPT standard, separable TSW-LF: Lead free brass, 1/2" NPT standard, separable |
| Stem | Brass |
| Sensing Element | Bi-metallic element |
| Pointer | Aluminum, painted black |
| Recalibrator | Standard |
| Accuracy | ±1% |

Scale Type Specifications

| | |
|-----------------------|---|
| Scale/Case | 8" (200mm) scale with steel case, painted white with black markings |
| Tube | #N-16 glass |
| Sensing Liquid | Organic fluid |
| Thermowell | TSW: Brass (HPB59-1), 1/2" NPT standard, separable TSW-LF: Lead free brass, 1/2" NPT standard, separable |
| Accuracy | ±1% |

TSW Dial Order Codes (products in bold are normally stock in North America)

| Dial | Range | Connection | Code |
|-------------|------------------------------|----------------------|------------------|
| 2" (50mm) | 30°F to 250°F & 0°C to 120°C | 1/2" NPT centre back | TSW174-2 |
| 2.5" (63mm) | 30°F to 250°F & 0°C to 120°C | 1/2" NPT centre back | TSW174 |
| | | 3/4" Sweatwell | TSW174-SW |

Other ranges, stem lengths, dial and connection sizes available upon request.

TSW Scale Order Codes (products in bold are normally stock in North America)

| Scale | Range | Connection | Code |
|------------|------------------------------|------------|---------------|
| 8" (200mm) | 40°F to 280°F & 5°C to 135°C | Straight | TSW172 |
| | | Angle | TSW173 |

Other ranges and connection sizes available upon request.

TSW-LF Dial Order Codes (products in bold are normally stock in North America)

| Dial | Range | Connection | Code |
|-------------|------------------------------|----------------------|--------------------|
| 2" (50mm) | 30°F to 250°F & 0°C to 120°C | 1/2" NPT centre back | TSW174-2LF |
| 2.5" (63mm) | 30°F to 250°F & 0°C to 120°C | 1/2" NPT centre back | TSW174LF |
| | | 3/4" Sweatwell | TSW174-SWLF |

Other ranges, stem lengths, dial and connection sizes available upon request.

TSW-LF Scale Order Codes (products in bold are normally stock in North America)

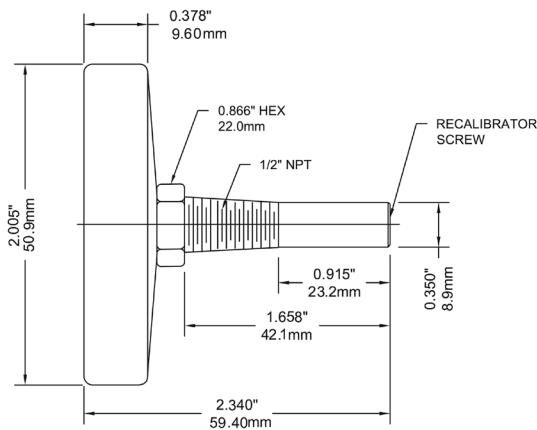
| Scale | Range | Connection | Code |
|------------|------------------------------|------------|-----------------|
| 8" (200mm) | 40°F to 280°F & 5°C to 135°C | Straight | TSW172LF |
| | | Angle | TSW173LF |

Other ranges and connection sizes available upon request.

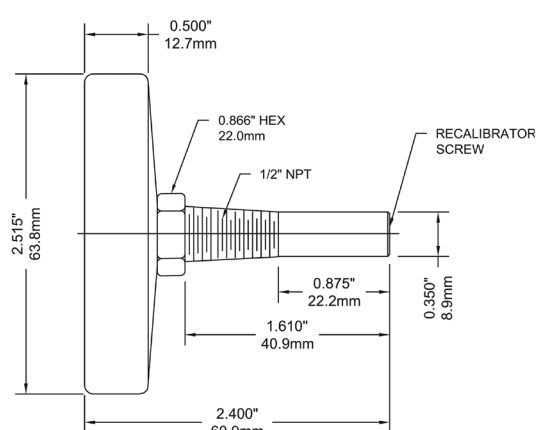
Thermowell Order Codes (products in bold are normally stock in North America)

| Connection | Material | Code |
|--------------------------------|-----------------|----------------|
| 1/2" NPT (for TSW174-2) | Lead Free Brass | TSW45LF |
| 1/2" NPT (for TSW174) | Lead Free Brass | TSW65LF |
| 1/2" NPT (for TSW174-SW) | Lead Free Brass | TSW85LF |
| 1/2" NPT (for TSW172 & TSW173) | Lead Free Brass | TSW25LF |

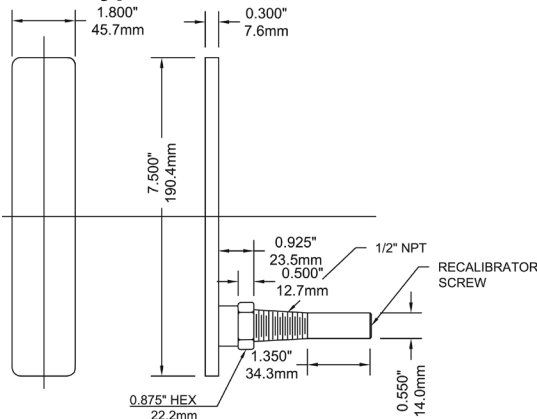
2" Dial Type



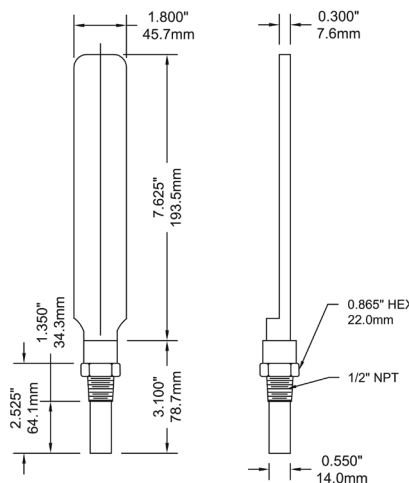
2.5" Dial Type



Scale Type



Back Connection



Bottom Connection