


Self-Regulating Heating Cable Installation & Maintenance Instruction Manual

SAVE THESE INSTRUCTIONS!

Additional copies of this manual are available upon request.

	<p>You must read and understand this manual before installing, operating, or servicing this product. Failure to understand these instructions could result in an accident causing serious injury or death.</p> <p>Keep these instructions for future reference.</p>
---	---

Language	Page
English	1
Spanish (Español).....	33
French (Français).....	65
German (Deutsch)	97
Italian (Italiano)	129

TABLE OF CONTENTS

IMPORTANT SAFETY INSTRUCTIONS.....	3
PART INTENDED USE.....	4
PART NUMBER MATRIX	4
TECHNICAL PARAMETERS.....	5
GENERAL INFORMATION.....	6
How Heating Systems Work	6
PRODUCT SELECTION.....	6
RECEIPT & STORAGE	6
Receipt.....	6
Storage.....	6
INSTALLATION	6
Scheduling	7
Pre-Installation Check.....	7
Heater Handling	7
Heating Cable Location.....	7
Straight Tracing.....	7
Spiraling	8
Attachment	8
Cutting the Heating Cable.....	8
Installation Details.....	8
SYSTEM COMPONENTS	11
System Component Compatibility	12
SLCBL Connection / Termination Kits	13
SLCBL, SLMCBL, SLHCBL Connection / Termination Kits	14
FM APPROVED SLCAB connection / termination kit	15
FM APPROVED SLMCAB connection / termination kit	15
CSA APPROVED SLCAB AND SLMCAB connection / termination kit.....	16
THERMAL INSULATION	17
Pre-Installation Checks	17
Installation.....	17
Marking	17
THERMOSTATS & SENSORS.....	17
ELECTRICAL REQUIREMENTS.....	17
Voltage Rating.....	17
Electrical Loading.....	18
Ground Fault Protection.....	24
Waterproofing.....	24
TESTING	24
Recommendations	24
Procedure.....	24
START-UP	27
Heat-up Time	27
Diversity Factor	27
OPERATION & MAINTENANCE	27
System Design, Installation & Documentation	27
Preventive Maintenance.....	27
Visual Inspections	27
Frequency	27
Personnel Training	27
Maintenance.....	27
Piping Repairs.....	27
DAMAGED PRODUCTS.....	28
TROUBLESHOOTING GUIDE	28
WARRANTY INFORMATION	32

IMPORTANT SAFETY INSTRUCTIONS



SAFETY ALERT SYMBOL

The symbol above is used to call your attention to instructions concerning your personal safety. It points out important safety precautions. It means **“ATTENTION! Become Alert! Your Personal Safety is involved!”** Read the message that follows and be alert to the possibility of personal injury or death.



A person who has not read and understood all operating Instructions is not qualified to operate this product.



- Do not immerse heater in liquid.
- Keep volatile or combustible material away from heater when in use.
- Use heater only in approved locations.
- Keep sharp metal objects away from heater.

Failure to observe these warnings may result in electric shock, risk of fire, and personal injury.



- Never handle the heater while it is in operation; always disconnect the heater from the power source and allow to cool prior to handling.
- Inspect heater and connection kits before use.
- If spillage of foreign matter onto heater occurs, disconnect from power source and clean after heater is allowed to cool.
- Never operate a heater without an appropriate heat sink (device being heated is considered a heat sink).
- Do not operate heater above rated temperature value.
- Fasten heater to device using approved methods only.
- Do not repair damaged or faulty heaters.
- Do not crush or apply severe physical stress on heater or cord assembly.
- Disconnect heater when not in use.

Failure to observe these warnings may result in personal injury or damage to the product and/or property.



Immediate hazards which **WILL** result in severe personal injury or death.



Hazards or unsafe practices that **COULD** result in severe personal injury or death.



Hazards or unsafe practices that **COULD** result in minor personal injury or property damage.



End User Must Comply to the Following:

- Only qualified personnel are allowed to connect the electrical wiring.
- De-energize all power circuits before installation or servicing.
- Keep ends of heating devices and kit components dry before and during installation.
- The conductive layer of this heating device must be connected to a suitable grounding/earthing terminal.
- Installation in accordance with the Canadian Electrical Code Part I (Canada) or the National Electric Code (USA) as applicable.
- All electrical wiring must follow local electrical codes.
- The person who performs the final installation / wiring must be qualified for this work.
- The end-user is responsible for providing a suitable disconnecting device.
- The end-user is responsible for providing suitable electrical protection device. It is highly recommended that a ground fault circuit breaker be used.

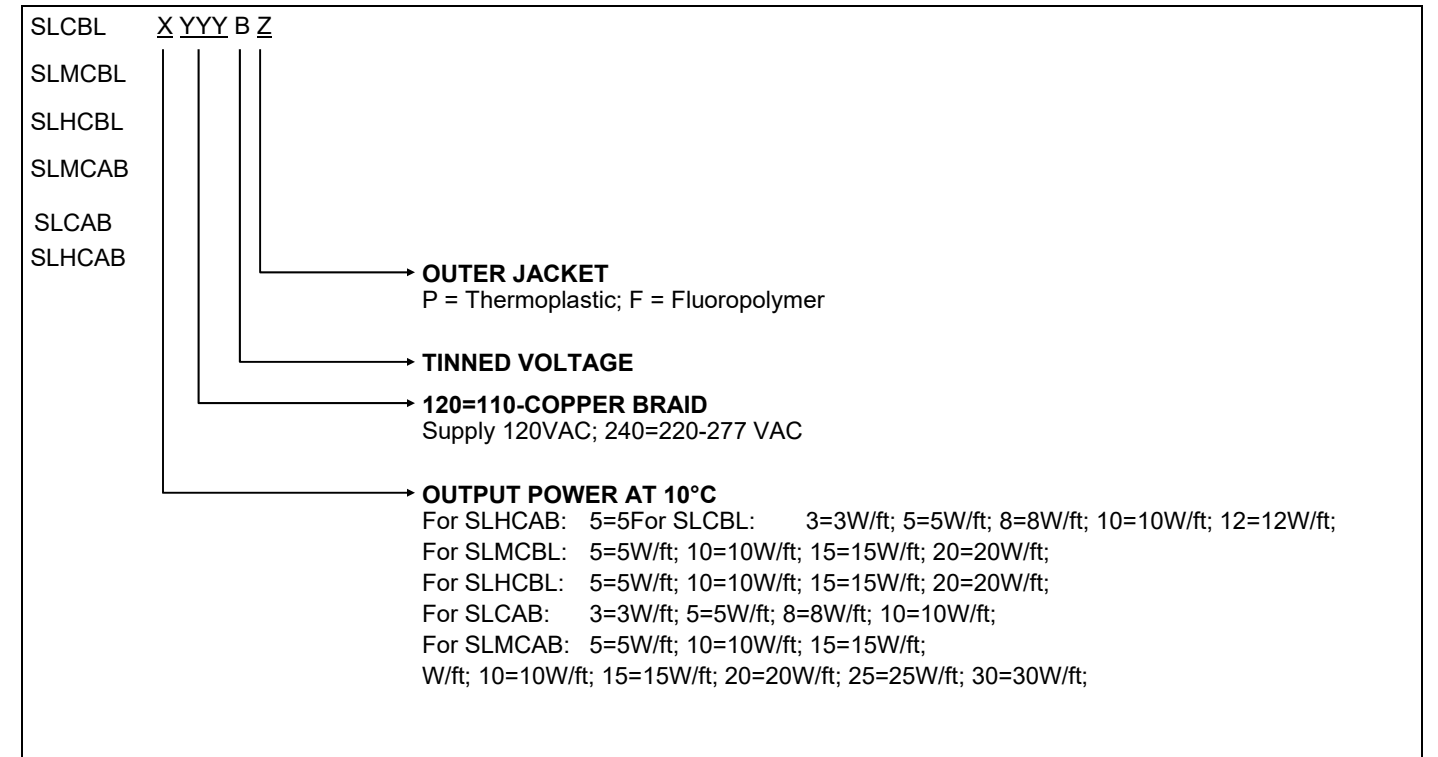
Failure to observe these warnings could result in severe personal injury or death.

PART INTENDED USE

The following standard must apply for installations in the USA.

- IEEE 515.1 Installation Type A, Insulated Surfaces (including pipes)
- IEEE 515.1 Installation Type B, Roof and Gutter De-Icing
- IEEE 515.1 Installation Type C, Embedded Snow Melting

PART NUMBER MATRIX



TECHNICAL PARAMETERS

Protection Class : IP65

Part Number	Power (W/Ft)	Voltage	Maximum Intermittent Exposure Temperature	Maximum Maintain or Continuous Exposure Temperature	
SLCBL	3240	3	208V-277V	85°C	65°C
	5240	5	208V-277V	85°C	65°C
	8240	8	208V-277V	85°C	65°C
	10240	10	208V-277V	85°C	65°C
	12240	12	208V-277V	85°C	65°C
	3120	3	110V-120V	85°C	65°C
	5120	5	110V-120V	85°C	65°C
	8120	8	110V-120V	85°C	65°C
	10120	10	110V-120V	85°C	65°C
SLMCBL	12120	12	110V-120V	85°C	65°C
	5240	5	208V-277V	135°C	110°C
	10240	10	208V-277V	135°C	110°C
	15240	15	208V-277V	135°C	110°C
	20240	20	208V-277V	135°C	110°C
	5120	5	110V-120V	135°C	110°C
	10120	10	110V-120V	135°C	110°C
	15120	15	110V-120V	135°C	110°C
SCHCBL	20120	20	110V-120V	135°C	110°C
	5240	5	208V-277V	200°C	120°C
	10240	10	208V-277V	200°C	120°C
	15240	15	208V-277V	200°C	120°C
	20240	20	208V-277V	200°C	120°C
	5120	5	110V-120V	200°C	120°C
SLCAB	10120	10	110V-120V	200°C	120°C
	15120	15	110V-120V	200°C	120°C
	20120	20	110V-120V	200°C	120°C
	3240	3	208V-277V	85°C	66°C
	5240	5	208V-277V	85°C	66°C
	8240	8	208V-277V	85°C	66°C
	10240	10	208V-277V	85°C	66°C
	3120	3	110V-120V	85°C	66°C
SLMCAB	5120	5	110V-120V	85°C	66°C
	8120	8	110V-120V	85°C	66°C
	10120	10	110V-120V	85°C	66°C
	3240	3	208V-277V	185°C	121°C
	5240	5	208V-277V	185°C	121°C
	8240	8	208V-277V	185°C	121°C
	10240	10	208V-277V	185°C	121°C
	3120	3	110V-120V	185°C	121°C
SLHCAB	5120	5	110V-120V	185°C	121°C
	8120	8	110V-120V	185°C	121°C
	10120	10	110V-120V	185°C	121°C
	5240	5	208V-277V	185°C	121°C
	10240	10	208V-277V	185°C	121°C
	15240	15	208V-277V	185°C	121°C
	20240	20	208V-277V	185°C	121°C
	25240	25	110V-120V	185°C	121°C
	30240	30	110V-120V	185°C	121°C
	5120	5	110V-120V	185°C	121°C
10120	10	110V-120V	185°C	121°C	
SLHCAB	15120	15	110V-120V	232°C	190°C
	20120	20	110V-120V	232°C	190°C
	25120	25	110V-120V	232°C	190°C
	30120	30	110V-120V	232°C	190°C

GENERAL INFORMATION

This manual is designed for use with BriskHeat's self-regulating heater products. For applications not specifically addressed, please contact your local representative.

How Heating Systems Work

An electric heating cable system uses the electric heating cable to replace the heat that is lost through the thermal insulation system. Replacing the lost heat allows the pipe and product inside the pipe to be kept at a constant temperature. This will keep water from freezing and bursting a pipe, or a liquid from setting up and plugging the pipe. Simple systems may turn the entire system on with a contactor or switch, while others will use a thermostat with each heating cable to control the temperature.

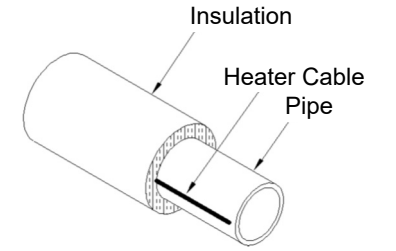


Figure 1

PRODUCT SELECTION

Consult BriskHeat factory for product selection and application engineering support.

RECEIPT & STORAGE

Receipt

- Compare the materials against the shipping bill to verify receipt of proper materials.
- Inspect heating cable and components for transit damage. Insulation resistance tests on each spool of cable are recommended.
- If design documents (line lists or per circuit bills of material) exists, check the received materials against the lists to verify of all needed materials. If no design documents exists, keep a receipt log of all materials received.

Storage

Cables and system components should be stored in a clean, dry area. The equipment should be protected from mechanical damage during storage. The storage temperature range is (-40°F to 140°F) -40°C to 60°C.

INSTALLATION

⚠ WARNING

While there are many acceptable ways of installing BriskHeat's electric heating equipment, certain actions can be dangerous to personnel and your installations. Please take care to avoid the following problems:

- Do not twist the bus wires together at either end of the heating cable. Each of these wires has a voltage or neutral applied to it; twisting them together will cause a short circuit.
- Insulate black polymer surrounding bus wires. The black compound extruded around the bus wires is electrically conductive and should be treated as a conductor.
- All electrical connections in the system should be sealed against moisture. To prevent electrical arcing and fire hazard, all cable connections and electrical wiring connections should be sealed against moisture. This includes the use of proper cable sealing kits and the moisture proofing of all wire connections.
- Do not expose heating cables to temperatures above their maximum ratings. Higher temperatures can greatly shorten the life of a heating cable.
- Immediately replace any damaged heating cable or components. Failure to replace any damaged components (heating cable, components, or thermal insulation) will result in system failure.
- Classified areas (explosive dust or gases) require the use of special electrical components. Any area having explosive gases (such as chemical / petrochemical installations) or explosive dusts (such as coal handling or graineries) require special cable, connection components and control components that are approved for use in these areas. Installation of non-approved products can result in fires or explosions.
- Installation on plastic pipe requires special considerations in selections & installation.

Scheduling

The installation of the electric heat tracing needs to be coordinated with the piping, insulation, electrical and instrument groups. It should begin only after the majority of mechanical construction is complete. Pressure testing of the pipe and installation of the instruments should be complete prior to the start of the heating cable installation.

Pre-Installation Check

Walk the piping system and plan the routing of the heating cable. Use this check to verify completion of instrumentation and mechanical work. All coatings (paint, etc.) must be dry before attempting the heating cable installation. Minimum installation temperature -40°F (-40°C)

Heater Handling

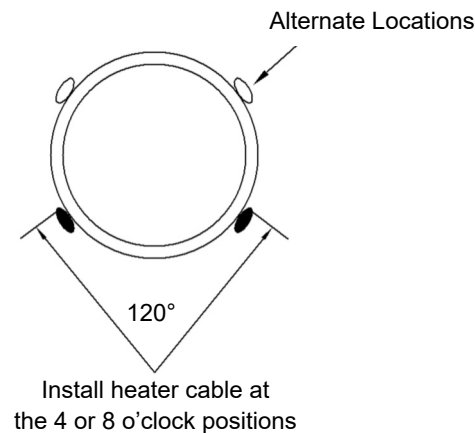
- Use a reel holder to roll out the heating cable.
- Keep the cable strung loosely, but close to the pipe being traced. This will avoid interference with supports and other equipment.
- Leave an extra 305-457mm (12-18") of heating cable at all power connections, tee splices and end seal connections to facilitate easy working of the connections.
- **ADDITIONAL HEATING CABLE IS REQUIRED ON VALVES, PIPE SUPPORTS AND OTHER EQUIPMENT.** See the installation detail section for exact lengths and method of installation.
- When handling the heating cable, avoid pulling it over or installing against sharp edges.
- Do not kink or crush the cable, including walking on it or driving over it with equipment.
- Do not exceed minimum bending radius of 0.5" (12mm) at 68°F (20°C) during installation. Colder temperatures will increase the minimum bend radius. Use caution to avoid exceeding a safe bend radius during cold temperature installations.

Heating Cable Location

The heating cable may be installed in either straight runs or spiraled around the pipe. Spiraling is generally used when a limited number of cable types are available.

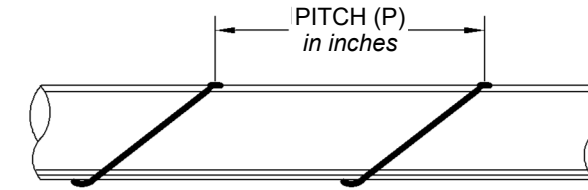
Straight Tracing

When straight tracing is used, install the heating cable on the lower quadrant of the pipe. This helps prevent physical damage to the heating cable from falling objects and being walked on, and promotes optional thermal transfer to materials inside the pipe.



Spiraling

Spiraling increases the length of heating cable installed per foot of pipe. For spiraling application assistance, contact BriskHeat factory.



Attachment

For regular installations, the heating cable may be attached with fiberglass tape. Plastic wire ties may also be used provided the plastic has a maximum temperature rating equal to or better than the system requirements. The cable should fit snugly against the pipe and be secured at one 305mm (12") intervals, as shown in Figure 4.

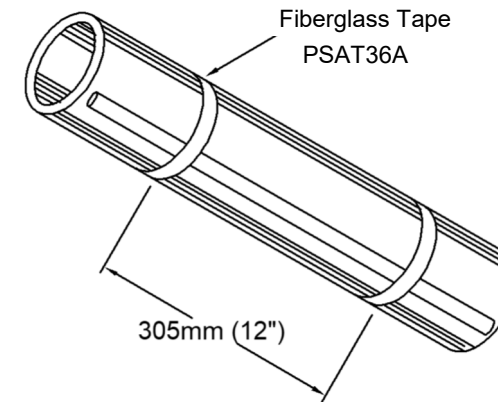


Figure 4

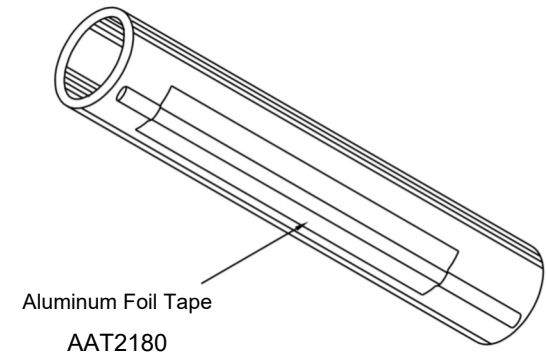


Figure 5

Notes:

1. To prevent possible damage to the heating cable, do not fasten with metal straps, wire, vinyl electrical tape or duct tape.
2. Aluminum foil tape should only be used if specified by design. The foil is most often used on plastic pipe to offset the insulate effect of the plastic. See Figure 5 above.

Cutting the Heating Cable

Do not cut the cable until it is attached to the pipe. Confirm the allowances for terminations, connections and heat sinks (valves, support, etc.) before cutting the cable. Heating cable power is not affected by cutting to length. Protect all heating cable ends from moisture or mechanical damage if exposed for long periods of time.

Installation Details

Heating cables should be applied in a manner to facilitate the easy removal of valves and small in-line devices without the removal of excessive thermal insulation or having to cut the heating cable. The best way to accomplish this is to loop the cable. The amount of heating cable installed on each valve, hanger, etc. varies with the pipe size and type of device. For installation and application assistance, contact BriskHeat factory.

The following figures show installation details for various typical situations:

Valve

Typical installation method
(may vary for different valve shapes)

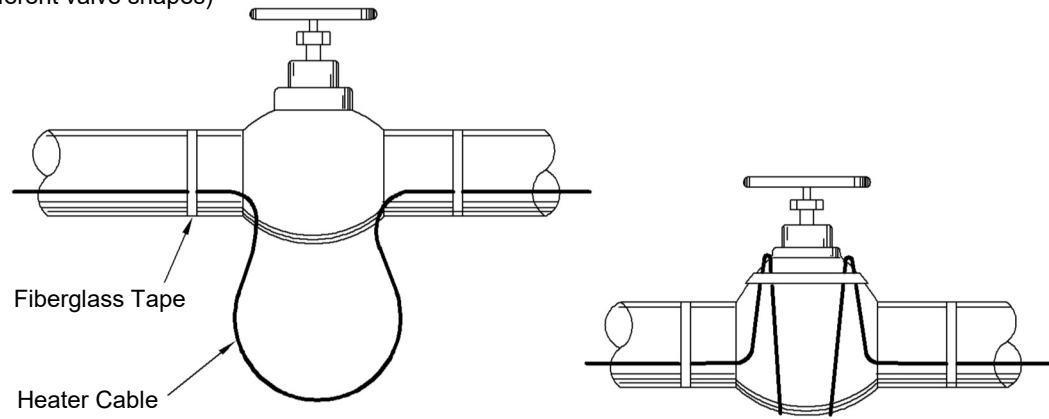
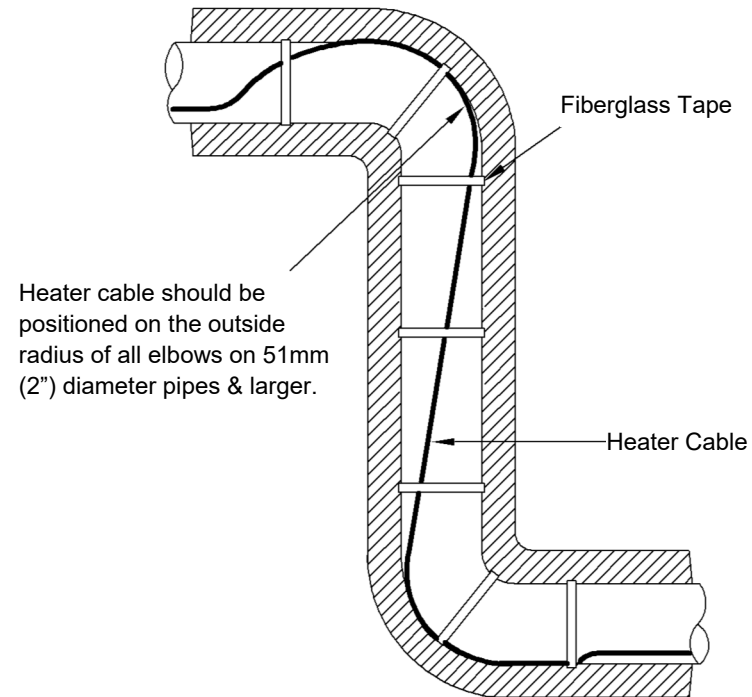


Figure 7

Elbow



Heater cable should be positioned on the outside radius of all elbows on 51mm (2") diameter pipes & larger.

Figure 7

Flange

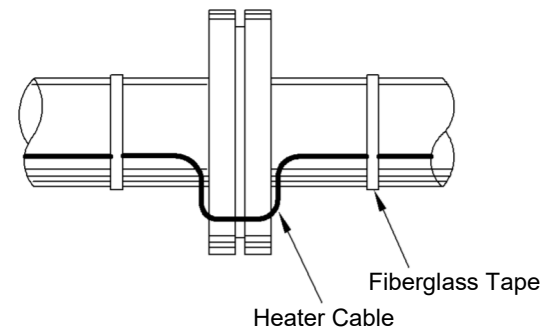


Figure 8

Hanger Support

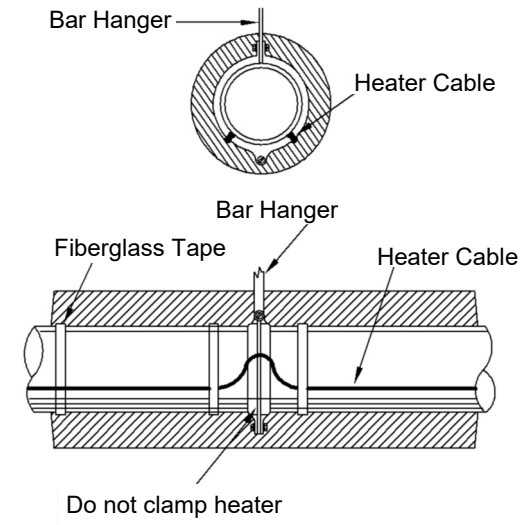


Figure 9

Shoe Support

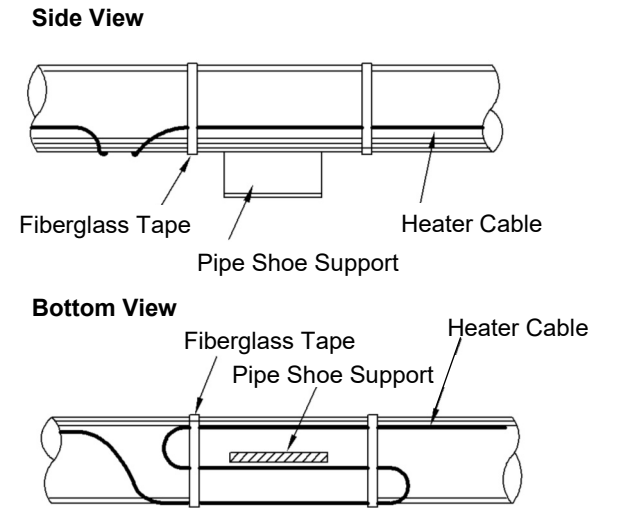


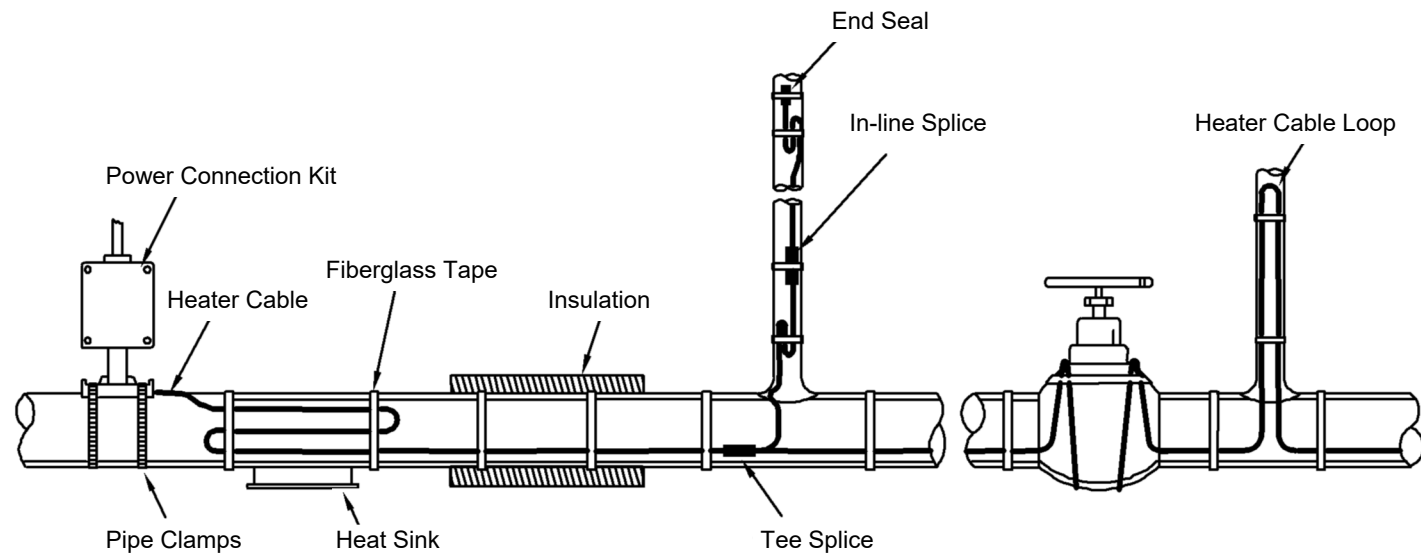
Figure 10

SYSTEM COMPONENTS

Only BriskHeat's approved termination, connection and splice kits should be used. Failure to do so will void warranties and agency approvals. Installation instructions in each component kit should be followed regarding heating cable preparation and assembly. Make end seals (terminations) and splice connections before making the power connections. It is recommended that all heating cables be tagged as they are installed with a discrete circuit number. This will facilitate identification, components needed and electrical wiring during later phases of the installation. Power connection kits utilize an adapter plate kit for installation on instrument tubing and tanks. Installation instructions for mounting are included in each kit.

⚠ WARNING

Connecting bus wires together will create an electrical short.



Note: Heating cable power connections and end seals are required for each heating cable. Heating cable splices, tees, and thermostats are used as needed.

Figure 11

System Component Compatibility

	SLCBL	SLMCBL	SLHCBL	SLCAB	SLMCAB	SLHCAB
SLCBLUC	Yes Ordinary Locations and Roof & Gutter	No	No	No	No	No
SLCBLUC-GF	Yes Ordinary Locations and Roof & Gutter	No	No	No	No	No
SLCBLKC	Yes Ordinary Locations and Roof & Gutter	No	No	No	No	No
SLCBLSK	Yes Ordinary Locations and Roof & Gutter	No	No	No	No	No
PTBO-GET	Yes Hazardous Locations	Yes	Yes	No	No	No
JHE-GET	Yes Hazardous Locations	Yes	Yes	No	No	No
JHS-GET	Yes Hazardous Locations	Yes	Yes	No	No	No
JHT-GET	Yes Hazardous Locations	Yes	Yes	No	No	No
SLCABUC	No	No	No	Yes Ordinary and Hazardous Locations	No	No
SLCABSK	No	No	No	Yes Ordinary and Hazardous Locations	No	No
SLCABKC	No	No	No	Yes Ordinary and Hazardous Locations	No	No
SLMCABUC	No	No	No	No	Yes Ordinary and Hazardous Locations	No
SLMCABKC	No	No	No	No	Yes Ordinary and Hazardous Locations	No
SLCABUC-CSA-M	No	No	No	Yes Ordinary and Hazardous Locations	Yes Ordinary and Hazardous Locations	No
SLCABEND-CSA-2	No	No	No	Yes Ordinary and Hazardous Locations	Yes Ordinary and Hazardous Locations	No
ROOFKIT	No	No	No	Yes SLCAB-BP only	No	No
ROOFENDKIT	No	No	No	Yes SLCAB-BP only	No	No
SLCABPWP-H	No	No	No	No	No	Yes Ordinary and Hazardous Locations
SLCABKC-H	No	No	No	No	No	Yes Ordinary and Hazardous Locations

SLCBL Connection / Termination Kits

For use in ordinary locations with SLCBL cable only (UL approved).

For use in roof & gutter snow melting & de-icing applications with SLCBL cable only (UL approved).



Approvals valid only when used with appropriate heating cable and installation accessories, and installed in accordance with all applicable instructions, codes, and regulations.

SLCBLUC: SLCBL Power Connection Kit

Kit Contents:



- | | |
|---|--|
| 2 Heat-trace warning labels | 3 Wire nuts |
| 2 De-icing snow melt caution labels | 1 Black heat-shrink tube 1/2" x 1" (13mm x 25mm) |
| 1 Standoff pipe mounting bracket | 1 Green/Yellow heat-shrink tube 1/4" x 6" (6mm x 15cm) |
| 1 Lock nut | 2 Black heat-shrink tubes 1/8" x 5-1/2" (3mm x 14cm) |
| 1 1/2"NPT Seal fitting with strain relief and grommet | 1 Sealing gasket |
| | 1 End seal |

Enough to complete:

One input power connection and one end seal termination.

NOTE: Junction box and pipe strap sold separately. Requires UL Listed junction box suitable for the location with a clearance hole for 1/2" conduit or 1/2" NPT thread hub. For heating cable with no outer-jacket (Type -B only), a metallic junction box must be used to ensure proper grounding.

SLCBLUC-GF: Ground Fault Power Connection Kit

Kit Contents:



- | | |
|-------------------------------------|--|
| 2 Heat-trace warning labels | 1 Heat-shrink tube 3/4" x 8" (19mm x 20cm) |
| 2 De-icing snow melt caution labels | 1 Heat-shrink tube 3/4" x 5" (19mm x 13cm) |
| 1 Cloth tape | 2 Heat-shrink tubes 1/8" x 1" (3mm x 25mm) |
| 2 Mastic strips | 1 Heat-shrink tube 1/2" x 1" (13mm x 25mm) |
| 2 Clamp ties | 1 Heat-shrink tube 5/16" x 1-1/2" (8mm x 38mm) |
| 2 Crimp-on insulated terminals | 1 Ground fault device with 120V 3-Prong NEMA 5-15 plug |
| 1 Crimp-on non-insulated barrel | |

Enough to complete:

One ground-fault protection power input power connection.

SLCBLKC: SLCBL End Seal Kit

Kit Contents:



- | | |
|---|---|
| 2 Heat-shrink caps | 2 Woven braid sleeves 1/2" x 4" (13mm x 10cm) |
| 2 Heat-shrink tubes 3/4" x 5" (19mm x 13cm) | |

Enough to complete:

Two end seal terminations.

SLCBLSK: SLCBL Splice and Tee Kit

Kit Contents:



- | | | |
|-----------------|---|---------------------------------|
| 1 Clamp tie | 1 Black heat-shrink tube 1" x 8" (25mm x 20cm) | 2 Heat-shrink caps |
| 3 Cable ties | 3 Black heat-shrink tubes 1/2" x 1" (13mm x 25mm) | 1 Heat-shrink tube |
| 1 Cloth tape | 6 Black heat-shrink tubes 1/8" x 1" (3mm x 25mm) | 1 Crimp-on non-insulated barrel |
| 5 Mastic strips | 2 Crimp-on insulated terminals | 1 End seal |

Enough to complete:

One splice connection and one end seal termination or one tee connection and one end seal termination.

NOTE: This kit does not complete an input power connection

SLCBL, SLMCBL, SLHCBL Connection / Termination Kits

For use in Hazardous Area Locations with SLCBL (BP, BF) cable only (CSA approved).

For use in non-hazardous area locations with SLCBL, SLMCBL, SLHCBL cable (non-CSA approved).



Approvals valid only when used with appropriate heating cable and installation accessories, and installed in accordance with all applicable instructions, codes, and regulations.

Hazardous (Classified) Locations
Class I, Division 2, Groups A, B, C, D
Class II, Division 2, Groups E, F, G
Class III

PTBO-GET: SLCBL, SLMCBL, SLHCBL Power Connection Kit With Octagon Enclosure

Kit Contents:



- | | |
|--|--|
| 1 Octagon junction box with terminal power connections | 1 M25x1.5 IP68 Seal fitting |
| 1 Pipe standoff mounting bracket | 2 Watertight sealing grommets |
| 2 Pipe Straps | 1 Watertight sealing plug |
| 1 Lock nut | 2 Green/Yellow heat-shrink tube 1/4" x 6" (6mm x 15cm) |
| 1 Sealing gasket | 2 Black heat-shrink tube 1/8" x 5-1/2" (3mm x 14cm) |

Enough to complete:

One input power connection.

JHE-GET: SLCBL, SLMCBL, SLHCBL Low-Profile End Seal Kit

Kit Contents:



- | |
|---------------------------------|
| 1 End seal housing |
| 1 Watertight sealing grommet |
| 3 Pressure seal end with screws |

Enough to complete:

One low-profile end seal termination.

JHS-GET: SLCBL, SLMCBL, SLHCBL Low-Profile Splice Connection Kit

Kit Contents:



- | |
|----------------------------------|
| 1 In-line splice housing |
| 2 Watertight sealing gaskets |
| 2 Housing covers with screws |
| 2 Watertight sealing grommets |
| 2 Pressure seal ends with screws |

Enough to complete:

One low-profile splice termination.

JHT-GET: SLCBL, SLMCBL, SLHCBL Low-Profile Tee Connection Kit

Kit Contents:



- | |
|----------------------------------|
| 1 Tee splice housing |
| 2 Watertight sealing gaskets |
| 2 Housing covers with screws |
| 3 Watertight sealing grommets |
| 3 Pressure seal ends with screws |

Enough to complete:

One low-profile tee connection.

NOTE: This kit does not complete an input power connection.

FM APPROVED SLCAB connection / termination kit

KITS

SLCABUC: SLCAB Universal Connection Kit. FM approved.

- 1 3/4" (19mm) NPT pipe standoff
- 2 Ring terminals
- 4 Large, Insulated crimp connectors
- 2 Small, Insulated crimp connectors
- 2 Pipe straps (for up to 6" (152mm) IPS pipe)
- 2 Heat sink end caps
- 1 6" (152mm) shrink sleeve
- 1 3 oz. (89ml) tube of RTV sealant
- 1 Roll of fiberglass tape
- 1 Caution label
- 1 Ground screw



Ordinary Locations
Hazardous (Classified) Locations
Class I, Division 2, Group B, C, D
Class II, Division 2, Group F, G
Class III, Division 2

Approvals valid only when used with appropriate heating cable and installation accessories, and installed in accordance with all applicable instructions, codes, and regulations.

Enough to complete:

Two end terminations and one input connection, or one input power splice

NOTE: Requires a 3/4" (19mm) NPT junction box

SLCABSK: SLCABSK Kit. FM approved.

- 20 Large yellow crimp connectors
- 20 Large blue crimp connectors
- 10 Heat shrink tubes
- 1 3 oz. (89ml) tube of RTV sealant

Enough to complete:

Ten input power connections, or Ten tee splices

SLCABKC: SLCAB End Seal Kit. FM approved.

- 10 Heat shrink tube

Enough to complete:

Ten end terminations

FM APPROVED SLMCAB connection / termination kit

KITS

SLMCABUC: SLMCAB Universal Connection Kit. FM approved.

- 1 3/4" (19mm) NPT pipe standoff
- 2 Ring terminals
- 3 Large, crimp connectors
- 2 Small, crimp connectors
- 2 Pipe straps (for up to 6" (152mm) IPS pipe)
- 2 End boots
- 1 3 oz. (89ml) tube of RTV sealant
- 1 Roll of fiberglass tape
- 1 Caution label
- 1 Ground screw



Ordinary Locations
Hazardous (Classified Locations)
Class I, Division 2, Group B, C, D
Class II, Division 2, Group F, G
Class III, Division 2

Approvals valid only when used with appropriate heating cable and installation accessories, and installed in accordance with all applicable instructions, codes, and regulations.

Enough to complete:

Two end terminations and one input connection, or one input power splice, or one tee splice

NOTE: Requires a 3/4" (19mm) NPT junction box

SLMCABKC: SLMCAB End Seal Kit. FM approved.

- 10 End boots
- 4 Roll of fiberglass tape
- 1 3 oz. (89ml) tube of RTV sealant

Enough to complete:

Ten end terminations

CSA APPROVED SLCAB AND SLMCAB connection / termination kit

KITS

SLCABUC-CSA-M: SLCAB and SLMCAB Universal Connection Kit. CSA approved.

- 1 Connector body
- 1 Connector cap
- 2 Connector gland washers
- 1 Grommet
- 1 Termination boot
- 1 Stain relief grip
- 1 Standoff bracket
- 1 Locknut
- 1 Termination block
- 1 Roll of fiberglass tape
- 1 Silicone sealant
- 1 Pipe strap (for 2" to 6" (51 to 152mm) O.D.pipes)
- 1 Ring tongue terminal
- 1 End seal kit



Ordinary Locations 130-03 (-G,-W, -S)
Hazardous (Classified) Locations
Class I, Division 1[†] and 2, Groups B, C, D
Class II, Division 1[†] and 2, Groups E, F, G
Class III, Division 1[†] and 2
3, 5, 8 W/ft T6
10 W/ft T5

Approvals valid only when used with appropriate heating cable and installation accessories, and installed in accordance with all applicable instructions, codes, and regulations.

*2E approved for 3 watts/ft and 5 watts/ft only

Enough to complete:

One input connection and one end termination. Splices and power input splices can be made using two kits

NOTE: Requires a 3/4" (19mm) NPT junction box

SLCABEND-CSA-2: SLCAB and SLMCAB End Seal Kit. CSA approved.

- 1 End cap
- 1 Clamp
- 1 Sealant

Enough to complete:

One end termination

CSA APPROVED SLHCAB connection / termination kit

KITS

SLCABPWP-H : SLHCAB Power Connection Kit for pipes. CSA approved.

- 1 Base
- 1 Top
- 2 Junction Box
- 1 Sealing Grommet (large hole)
- 1 Sealing Grommet (small hole)
- 1 Sealing Gasket
- 2 Shrink Tubes 1/8" x 51/2" (black)
- 1 Shrink Tube 1/4" x 51/2" (green/yellow)
- 1 Shrink Tube 1/2" x 11/2" (white)
- 1 Lock Ring
- 1 Adaptor (for installation on pipe smaller than 1")
- 1 Stainless Steel Tie Wire



Ordinary Locations 130-03 (-G,-W, -S)
Hazardous (Classified) Locations
Class I, Division 1[†] and 2, Groups B, C, D
Class II, Division 1[†] and 2, Groups E, F, G
Class III, Division 1[†] and 2
3, 5, 8 W/ft T6
10 W/ft T5

Approvals valid only when used with appropriate heating cable and installation accessories, and installed in accordance with all applicable instructions, codes, and regulations.

Enough to complete:

One input connection and one end termination. Splices and power input splices can be made using two kits

NOTE: Requires a 3/4" (19mm) NPT junction box

SLCABKC-H: SLHAB End Seal Kit. CSA approved.

- 1 End cap
- 1 Clamp
- 1 Sealant

Enough to complete:

One end termination

[†]CI/D1 approval for BF only. Contact a BriskHeat representative for information on Division I hazardous location systems.

THERMAL INSULATION

Pre-Installation Checks

Inspect the heating cable and components for correct installation and possible damage. In particular, verify that:

- The proper extra amount of heating cable has been installed at each valve, flange, pipe support, etc. and that it is free from physical nicks, tears or gouging. Additional cable beyond the specified amount at a heat sink is not a problem due to the self-regulation effect of the heating cable.
- Connections, splices and end seals are correctly installed, including cable seals at power connection enclosures.
- Ensure insulation is properly rated for the maximum exposure temperature of the heated system.

Installation

Check the thermal insulation type and thickness against the design criteria. Changes in insulation type or thickness may require a different wattage heating cable. Verify that all pipe work, including wall penetrations, fittings, etc. has been completely insulated.

Check the system to verify that:

- Insulation is not wet from rainfall prior to the application of waterproofing.
- Lap joints on vertical piping are properly overlapped - higher piece lapped over the top of lower piece.
- Band seals are used at lap joints to prevent the ingress of water.
- All penetrations of lagging (valve stems, hanger rods, etc.) are properly water proofed.
- Irregular shaped items (i.e. pumps, etc.) are properly waterproofed.

To minimize potential damage to the heating cable, install the insulation as soon as possible. It is recommended that another insulation resistance (megger) test be done after the insulation has been installed to verify that the heating cable was not damaged during the insulation installation.

Marking

Install "Electric Trace" signs on alternate sides of the piping at regular intervals, as a warning to maintenance personnel. Permanently mark the outside of the insulation lagging with the location of heating cable components. This will facilitate maintenance in the event of a problem.

THERMOSTATS & SENSORS

Temperature sensitive applications will require the use of a thermostatic control. Selection of the proper thermostat must consider voltage and amperage ratings of the device as well as the suitability of housing for the environment (explosion proof, rain tight, corrosion resistance, etc.). Thermostat housing should be mounted as close as possible to the power connection kit. It may be attached to the power connection kit provided code requirements are met with regard to conduit connections seals, etc. To sense the coolest air temperature, ambient (air sensing) thermostats should be mounted in the shade when possible. When using pipe-sensing thermostats, the bulb (sensor) should be mounted on the opposite side of the pipe from the heater, or as far away as is practical. This will allow the thermostat to sense the actual pipe temperature and not be influenced by the heater temperature. Mount the bulb at least three (3) feet from the closest heat sink if possible.

Moisture inside the enclosure will cause both corrosion and electrical shorting problems. The potential for this type of problem can be greatly reduced by:

- Proper sealing of all enclosures openings.
- Keeping enclosure cover closed and secured as much as possible during installation sequence.
- Proper closing and sealing of the cover to prevent leaking into the housing.
- Use of a moisture proofing/electrical spray (aerosol) sealant on thermostat and electrical connections (including all metal parts) at completion of installation.
- Connection and use of space heater if thermostat is so equipped. **Do not de-energize space heater during summer months.**

ELECTRICAL REQUIREMENTS

Voltage Rating

Verify that the heating cable voltage rating is suitable for the service being used. 240 volt rated cables may be used from 208 to 277 volts, with an accompanying change in power output.

Electrical Loading

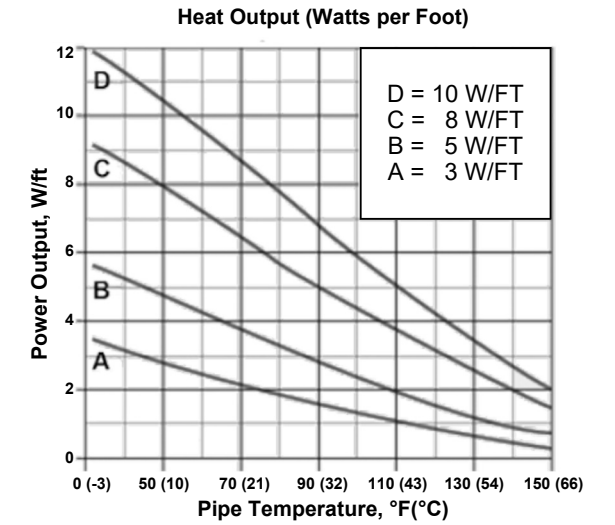
Size over-current protective devices shown in Figure 12 and 13. If devices are other than standard thermal magnetic circuit breakers, consult factory.

(For installation in USA) All appropriately rated circuit breakers must be identified using a reference label indicating which branch circuit supplies the circuits to the series heating cable sets.

SLCAB

Maximum Circuit Length in Feet Vs. Circuit Breaker Size

Heat Cable Type	Circuit Breaker Size	Start-up Temperature		
		50°F (10°C)	0°F (-18°C)	-20°F (-29°C)
SLCAB3120	15 amp	300	200	180
	20 amp	-	270	230
	30 amp	-	330	330
SLCAB3240	15 amp	660	410	360
	20 amp	-	560	480
	30 amp	-	660	660
SLCAB5120	15 amp	230	150	130
	20 amp	270	200	175
	30 amp	-	270	260
SLCAB5240	15 amp	460	300	260
	20 amp	540	400	345
	30 amp	-	540	520
SLCAB8120	15 amp	150	95	85
	20 amp	200	125	100
	30 amp	210	190	170
	40 amp	-	210	210
SLCAB8240	15 amp	295	195	170
	20 amp	390	250	225
	30 amp	420	375	340
SLCAB10120	15 amp	115	70	60
	20 amp	150	95	85
	30 amp	180	145	120
	40 amp	-	180	165
SLCAB10240	15 amp	230	150	130
	20 amp	305	200	175
	30 amp	360	300	260
	40 amp	-	360	360



Voltage Adjustment Factors

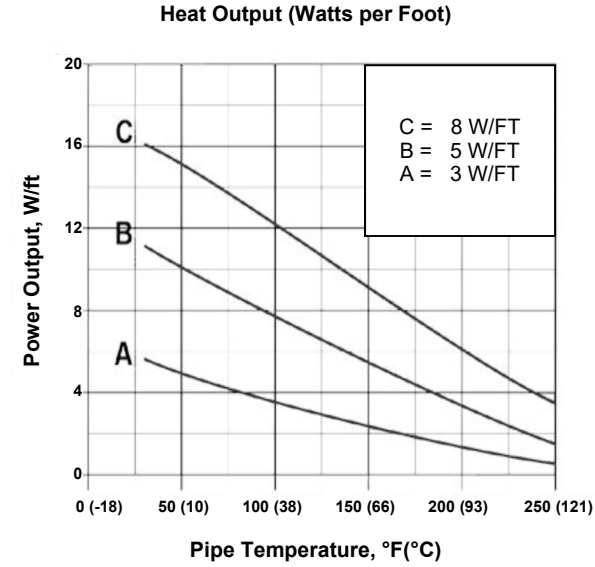
Product Type	Power Adjustment Factor	
	208 VAC	277 VAC
SLCAB3240	0.75	1.28
SLCAB5240	0.86	1.16
SLCAB8240	0.91	1.10
SLCAB10240	0.93	1.08

Figure 12

SLMCAB

Maximum Circuit Length in Feet Vs. Circuit Breaker Size

Heat Cable Type	Circuit Breaker Size	Start-up Temperature		
		50°F (10°C)	0°F (-18°C)	-20°F (-29°C)
SLMCAB5120	15 amp	150	135	130
	20 amp	200	180	170
	30 amp	240	220	210
SLMCAB5240	15 amp	250	230	220
	20 amp	330	305	295
	30 amp	480	440	420
SLMCAB10120	15 amp	90	85	80
	20 amp	120	110	105
	30 amp	180	165	160
SLMCAB10240	15 amp	140	130	125
	20 amp	190	175	170
	30 amp	280	260	250
SLMCAB15120	15 amp	70	65	60
	20 amp	90	85	80
	30 amp	130	125	120
SLMCAB15240	15 amp	100	95	90
	20 amp	135	125	120
	30 amp	200	185	180



Voltage Adjustment Factors

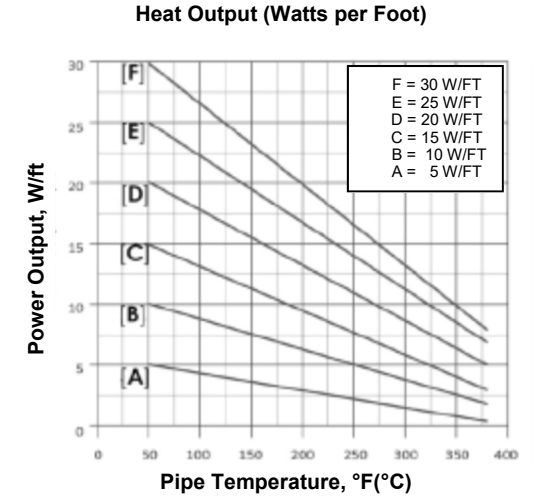
Product Type	Power Adjustment Factor	
	208 VAC	277 VAC
SLMCAB5240	0.78	1.25
SLMCAB10240	0.86	1.16
SLMCAB15240	0.92	1.09

Figure 13

SLHCAB

Maximum Circuit Length in Feet Vs. Circuit Breaker Size

Heat Cable Type	Circuit Breaker Size	Start-up Temperature		
		50°F (10°C)	0°F (-20°C)	-50°F (-45°C)
SLHCAB5120	10 amp	240	140	115
	15 amp	320	220	190
	20 amp	330	265	225
SLHCAB5240	10 amp	485	275	232
	15 amp	643	436	377
	20 amp	660	530	449
SLHCAB10120	10 amp	162	105	80
	15 amp	249	170	127
	20 amp	265	215	164
SLHCAB10240	10 amp	324	209	160
	15 amp	498	337	255
	20 amp	530	433	328
SLHCAB15120	10 amp	123	54	52
	15 amp	177	90	82
	20 amp	200	115	103
SLHCAB15240	30 amp	420	350	275
	40 amp	420	350	320
	10 amp	75	45	35
SLHCAB20120	15 amp	121	65	55
	20 amp	150	80	70
	20 amp	295	164	141
SLHCAB20240	30 amp	315	215	170
	40 amp	360	215	215
	10 amp	55	30	25
SLHCAB25120	15 amp	90	45	45
	20 amp	115	60	50
	20 amp	229	124	98
SLHCAB25240	30 amp	229	158	120
	40 amp	240	158	158
	20 amp	229	124	98
SLHCAB30120	30 amp	229	158	120
	40 amp	240	158	158
	20 amp	229	124	98
SLHCAB30240	30 amp	229	158	120
	40 amp	240	158	158



Voltage Adjustment Factors

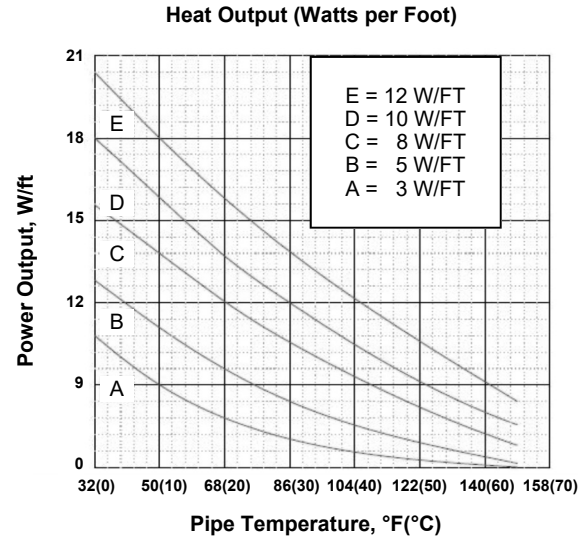
Product Type	Watt/ft Output Adjustment Factor	
	208 VAC	277 VAC
SLHCAB10240	0.88	1.14
SLHCAB20240	0.94	1.08
SLHCAB30240	0.99	1.01

Figure 14

SLCBL

Maximum Circuit Length in Feet Vs. Circuit Breaker Size

Heat Cable Type	Circuit Breaker Size	Start-up Temperature			
		50°F (10°C)	32°F (0°C)	-4°F (-20°C)	-40°F (-40°C)
SLCBL3120	10 amp	240	200	140	115
	15 amp	320	300	220	190
	20 amp	330	320	265	225
	30 amp	330	320	280	265
	40 amp	330	320	280	265
SLCBL3240	10 amp	485	396	275	232
	15 amp	643	606	436	377
	20 amp	660	643	530	449
	30 amp	660	643	557	530
SLCBL5120	10 amp	162	135	105	80
	15 amp	249	215	170	127
	20 amp	265	252	215	164
	30 amp	265	252	240	200
SLCBL5240	10 amp	324	269	209	160
	15 amp	498	429	337	255
	20 amp	530	505	433	328
	30 amp	530	505	480	400
SLCBL8120	10 amp	123	100	54	52
	15 amp	177	145	90	82
	20 amp	200	180	115	103
	30 amp	210	180	175	135
SLCBL8240	10 amp	246	203	108	104
	15 amp	354	291	183	164
	20 amp	406	360	229	206
	30 amp	420	360	350	275
SLCBL10120	10 amp	75	55	45	35
	15 amp	121	85	65	55
	20 amp	150	105	80	70
	30 amp	155	120	105	85
SLCBL10240	10 amp	147	111	85	68
	15 amp	242	177	131	114
	20 amp	295	216	164	141
	30 amp	315	246	215	170
SLCBL12120	10 amp	55	40	30	25
	15 amp	90	60	45	45
	20 amp	115	80	60	50
	30 amp	115	90	80	60
SLCBL12240	10 amp	111	78	59	49
	15 amp	183	124	91	85
	20 amp	229	160	124	98
	30 amp	229	180	158	120
SLCBL10240	10 amp	111	78	59	49
	15 amp	183	124	91	85
	20 amp	229	160	124	98
	30 amp	229	180	158	120



Voltage Adjustment Factors

Watt/ft Output Adjustment Factor		
Product Type	208 VAC	277 VAC
SLCBL3240	0.82	1.13
SLCBL5240	0.85	1.12
SLCBL8240	0.89	1.08
SLCBL10240	0.89	1.08
SLCBL12240	0.89	1.08

Max Circuit Length Adjustment Factor

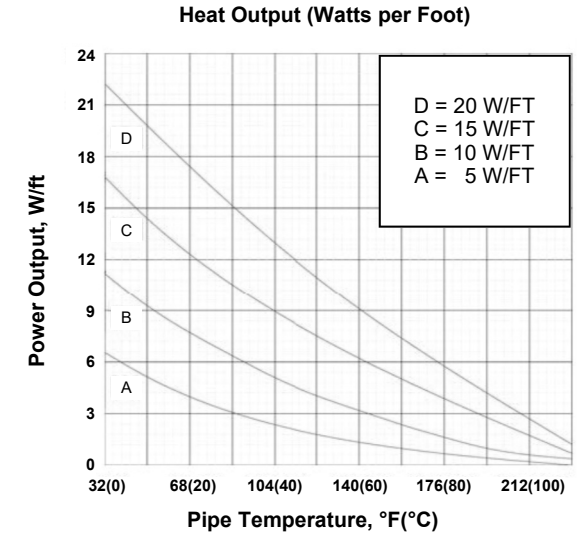
Max Circuit Length Adjustment Factor		
Product Type	208 VAC	277 VAC
SLCBL3240	0.96	1.08
SLCBL5240	0.94	1.09
SLCBL8240	0.92	1.11
SLCBL10240	0.92	1.11
SLCBL12240	0.92	1.11

Figure 15

SLMCBL

Maximum Circuit Length in Feet Vs. Circuit Breaker Size

Heat Cable Type	Circuit Breaker Size	Start-up Temperature			
		50°F (10°C)	32°F (0°C)	-4°F (-20°C)	-40°F (-40°C)
SLMCBL5120	10 amp	110	80	-	-
	15 amp	133	105	98	90
	20 amp	195	160	148	138
	30 amp	210	195	170	165
	40 amp	210	195	183	180
SLMCBL5240	10 amp	220	160	145	135
	15 amp	265	210	195	180
	20 amp	390	320	295	275
	30 amp	420	390	365	360
	40 amp	420	390	340	330
SLMCBL10120	10 amp	75	73	-	-
	15 amp	100	95	80	70
	20 amp	133	148	125	100
	30 amp	174	180	156	130
	40 amp	174	175	156	140
SLMCBL10240	10 amp	150	145	121	114
	15 amp	200	190	160	140
	20 amp	265	295	249	200
	30 amp	347	360	311	280
	40 amp	347	350	311	260
SLMCBL15120	10 amp	57	51	-	-
	15 amp	94	87	57	54
	20 amp	120	108	71	69
	30 amp	154	133	80	80
	40 amp	154	133	90	87
SLMCBL15240	10 amp	114	101	68	65
	15 amp	187	173	114	108
	20 amp	239	216	141	137
	30 amp	308	265	180	173
	40 amp	308	265	160	160
SLMCBL20120	10 amp	51	41	-	-
	15 amp	82	72	51	49
	20 amp	102	90	67	61
	30 amp	131	115	84	74
	40 amp	150	128	110	95
SLMCBL20240	10 amp	101	82	62	55
	15 amp	164	144	101	98
	20 amp	203	180	134	121
	30 amp	262	229	167	147
	40 amp	300	255	220	190



Voltage Adjustment Factors

Watt/ft Output Adjustment Factor		
Product Type	208 VAC	277 VAC
SLMCBL5240	0.84	1.20
SLMCBL10240	0.85	1.18
SLMCBL15240	0.91	1.09
SLMCBL20240	0.90	1.07

Max Circuit Length Adjustment Factor

Max Circuit Length Adjustment Factor		
Product Type	208 VAC	277 VAC
SLMCBL5240	0.95	1.04
SLMCBL10240	0.94	1.06
SLMCBL15240	0.91	1.10
SLMCBL20240	0.91	1.11

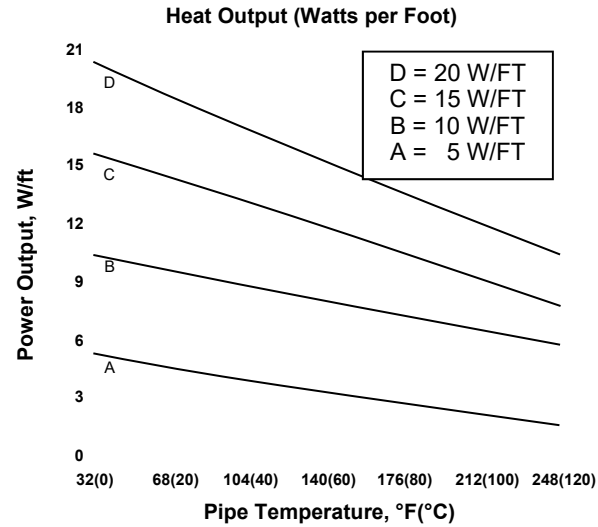
Figure 16

SLHCBL

Maximum Circuit Length in Feet Vs. Circuit Breaker Size

Heat Cable Type	Circuit Breaker Size	Start-up Temperature			
		50°F (10°C)	32°F (0°C)	-4°F (-20°C)	-40°F (-40°C)
SLHCBL5120	10 amp	120	110	105	90
	15 amp	180	175	158	143
	20 amp	240	215	190	180
	30 amp	259	245	240	225
SLHCBL5240	10 amp	240	220	210	180
	15 amp	360	350	315	285
	20 amp	479	430	380	360
	30 amp	518	490	480	450
SLHCBL10120	10 amp	73	69	65	58
	15 amp	118	110	98	88
	20 amp	148	140	130	118
	30 amp	220	200	182	175
SLHCBL10240	10 amp	146	138	130	116
	15 amp	236	220	195	175
	20 amp	295	280	260	235
	30 amp	440	400	364	350
SLHCBL15120	10 amp	50	47	42	40
	15 amp	75	65	63	60
	20 amp	100	90	83	80
	30 amp	143	135	125	120
SLHCBL15240	10 amp	100	93	83	80
	15 amp	150	130	125	120
	20 amp	200	180	165	160
	30 amp	285	270	250	240
SLHCBL20120	10 amp	39	33	34	32
	15 amp	58	55	50	48
	20 amp	75	71	68	63
	30 amp	115	105	100	95
SLHCBL20240	10 amp	77	70	67	63
	15 amp	115	110	100	95
	20 amp	150	142	135	125
	30 amp	230	210	200	190
SLHCBL20240	40 amp	306	286	265	250

Figure 17



Voltage Adjustment Factors

Watt/ft Output Adjustment Factor		
Product Type	208 VAC	277 VAC
SLHCBL5240	0.87	1.07
SLHCBL10240	0.88	1.08
SLHCBL15240	0.88	1.08
SLHCBL20240	0.86	1.07

Max Circuit Length Adjustment Factor

Max Circuit Length Adjustment Factor		
Product Type	208 VAC	277 VAC
SLHCBL5240	0.99	1.08
SLHCBL10240	0.99	1.06
SLHCBL15240	0.98	1.06
SLHCBL20240	1.00	1.08

Ground Fault Protection

Ground fault circuit breakers are required on all heater constructions per the National Electric Code. Typically, 30ma trip devices are required due to the capacitive leakage of the heating cable construction.

Waterproofing

Moisture penetration of the electrical system is the single largest source of problems in a heating cable system installation. Therefore, particular care must be given to the proper sealing of all electrical connections and splices. Heating cable sealing kits will provide a proper seal for the heating cable itself, when used per kit instructions. All other electrical connections (heater to power wiring, thermostat connections, panel and breaker connections, etc.) should be sealed or moisture proofed in some fashion. Either mastic shrink tube or an aerosol electrical insulative sealant should be used on all connections to reduce any moisture penetration. The sealant will also reduce the potential for corrosion on exposed metal parts.

TESTING

Recommendations

Electrical tests are recommended at specific points in the receipt and installation of the heating cable. This periodical testing is designed to prevent the expenditure of wasted labor in the event of damage to the product. Installation costs of the cable and thermal insulation are much greater than the heating cable. Quick identification of any heating cable damage is the most economic approach to an installation. An insulation resistance test is recommended at the following point of the installation process:

- UPON RECEIPT of the heating cable
- BEFORE thermal INSULATION installation
- IMMEDIATELY AFTER thermal insulation installation
- As part of a PERIODIC MAINTENANCE program

Procedure

The insulation resistance test is used to check for damage to extruded jackets. Connections for the megger are made as shown in Figures 18 & 19.

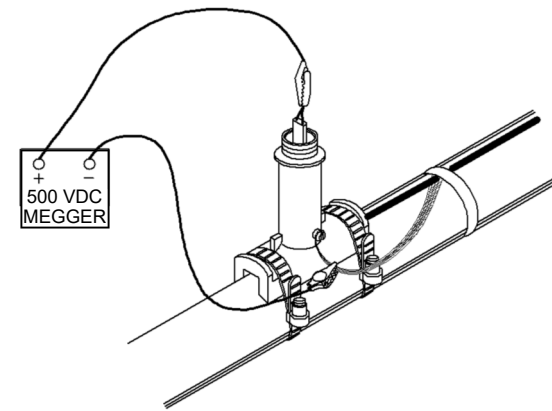


Figure 18

FOR HEATING CABLES WITH BRAID

Test from heating cable bus to braid

Note: Test should use at least a 500 VDC megger. Do not use a megger with an excess of 2500 VDC. Minimum acceptable readings should be 20 megohms per circuit, regardless of length.

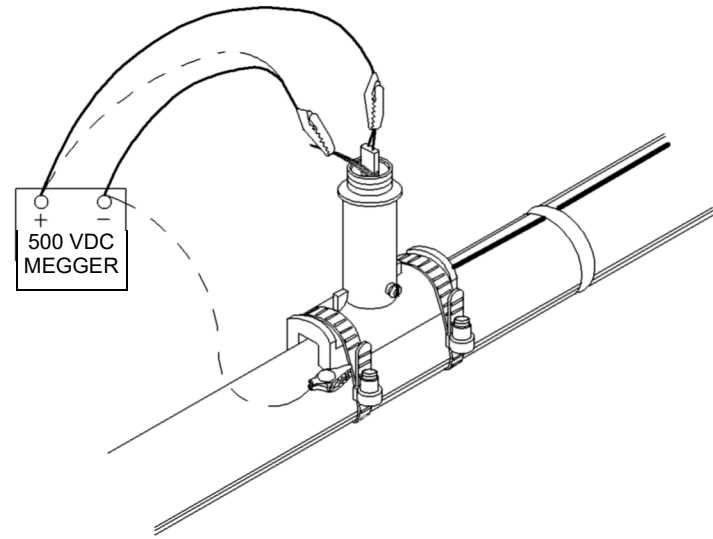


Figure 19

FOR HEATING CABLES WITH BRAID AND OUTER JACKET

Test A - (solid lines) from heating cable bus wires to braid.
 Test B - (dotted lines) from braid to metal pipe.

A record should be kept of the readings taken from the time the cable is first installed on the pipe. A history of the insulation resistance reading can be helpful in spotting moisture ingress into the electrical system (by seeing a gradual decline in the insulation resistance or physical damage to the heating cable (sharp decline in the insulation resistance). A sample record for this is shown in *Figure 20*. (See following page)

BRISKHEAT PERIOD INSPECTION RECORD

Circuit Number
Heater Type
Circuit Length

Freeze Protection Circuits -

Perform these checks as season requiring use approaches.

Temperature Maintenance Circuits -

Perform these checks at least twice per year.

Maintenance Checks for _____ Month _____ Year _____							
Visual inspection inside connection box corrosion, moisture, etc.	Initial						
	Date						
Damage or cracks (leaks) in insulation seals at valves, hangers, pumps, etc.	Initial						
	Date						
Heating cable properly connected and grounded. heating cable and connections insulated from connection box.	Initial						
	Date						
Thermostat checked for moisture, corrosion, set point, switch operation, and capillary damage	Set Point						
	Initial						
	Date						
Megger tests performed at power connection with both bus wires disconnected from power wiring.	Reading						
	Initial						
	Date						
Circuit voltage at power connection.	Reading						
Circuit amperage after 5 minutes	Reading						
Pipe temperature at time amps were measured.	Reading						
Watts/Ft.							
<u>Volts x Amps</u> = w/ft.	Initial						
feet	Date						
All connections, boxes, and thermostats have been resealed.	Initial						
	Date						
End seals, covered splices and tees marked	Initial						
On insulation cladding.	Date						

PERIODIC INSPECTION RECORD FORM

Remarks & Comments							

Figure 20
Periodic Inspection Record Form

The Periodic Inspection record Form may be used in one of two ways:

- One sheet per circuit** - The results of periodic tests of a single circuit are posted in vertical columns, beginning on the left and working toward the right. This allows easy comparison of test values for up to seven test sequences on an individual circuit.
- One circuit per column** - Test data for a single test sequence on as many as seven circuits can be recorded on a single sheet.

START-UP

Heat-up Time

Heat-up capacity (the ability to heat the pipe and it's contents rapidly) is not normally designed into the system. Cold start-ups should allow adequate time for the pipe to come up to temperature.

Diversity Factor

If the electrical supply capability is limited, then a diversity factor may be used in a cold start situation (trying to start the entire system up in very cold weather). This is accomplished by staggering the initial turn on of the heating cable circuits to allow the inrush currents to occur in a sequential fashion rather than all at once.

OPERATION & MAINTENANCE

System Design, Installation & Documentation

The heating cable system must be properly designed, installed and documented. This documentation should at least include line lists and location identification documentation. As built installation drawings provided the optimum maintenance tool. Test records should also be considered as part of the system documentation requirements. See Figure 20 & 21.

Preventive Maintenance

A preventive maintenance program is needed which will encompass both visual and electrical checks of the system. These should be done not only before initial operation of the system, but also on a scheduled basis. The checks should also be done after any maintenance has been performed.

Visual Inspections

- Thermal insulation - check weatherproofing for damage, missing seals, cracks or gaps in caulking and mastic coatings, damaged or missing lagging. When damage does exist, the insulation will need to be repaired or replaced, and then resealed. WET INSULATION HAS POOR INSULATING PROPERTIES, THEREFORE THE INSULATION MUST BE KEPT DRY. If insulation has been damaged, check the heating cable for damage - replace the damaged section.
- Inspect junction boxes, connection boxes and thermostats for corrosion, moisture or foreign matter.
- Tightness of electrical connections, proper electrical insulation of heating cable wires, adequacy of moisture seal on electrical connections and that a minimum of one (1) inch of electrically insulated heater extends above the grounding connection. No strands of the ground braid should extend above this connection.
- Check all thermostats or sensor capillary leads to verify they are tied back and shielded from physical damage.
- Verify all enclosure, connection box, etc. covers are properly closed and that the thermostat is switching off and on by measuring current flow in the circuit when the unit switches on. Reset the knob to the proper temperature after completion of the test.

Frequency

Inspections should be made prior to the start of the freeze season on freeze protection systems. Process maintenance systems should be checked on a frequent base, at least twice a year.

Personnel Training

Qualified maintenance personnel must be used to maintain the system. It is recommended that periodic training programs be utilized to assist in keeping maintenance personnel up to date on equipment and procedures.

Maintenance

The heating cables will not require any maintenance. Mechanical temperature controls should be sprayed with a moisture repellent/ corrosion inhibitor once a year on all metal parts.

Piping Repairs

Disconnect the electrical connection for the heating cable and protect it from mechanical or thermal damage during the repair. Check the heating cable installation after the repairs per established procedures. Replace and water seal the thermal insulation system.

DAMAGED PRODUCTS

Do not attempt to repair a damaged heating cable - replace the entire section. Fault currents will often destroy the bus wire / core material interface between the damaged portion and the voltage supply end of the circuit.

Replace the damaged heating cable immediately. Moisture migration into the good section of the heating cable may cause electrical shorting in that cable after repair of the damaged section.

Any product exposed to fire or flame should be removed from service immediately and replaced. Further fire damage could result if energized.

TROUBLESHOOTING GUIDE

SYMPTOMS	PROBABLE CAUSE	CORRECTION
A. Circuit Breaker Trips (Standard)	<ol style="list-style-type: none"> 1. Circuit breaker undersized 2. Circuit oversized 3. Start-up at too low temp. 4. Defective circuit breaker 5. Connection and/or splices may be shorting out. 6. Physical damage to the heating cable may be causing a short. 7. Wires connected at end seal. 	<ol style="list-style-type: none"> 1, 2, 3. Re-establish what the current loads are going to be and resize the breakers.* 4. Replace circuit breaker. 5, 6. Locate and repair incorrect connections, splices, or damaged sections of heating cable. ** Megger per installation instructions. 7. Disconnect wires and perform a current check for possible other damage.
B. Circuit Breaker Trips (Ground Leakage Type)	<ol style="list-style-type: none"> 1. All of section A. 2. Excessive moisture in connection boxes or splices. 3. Nick or cut in heater or power feed wire with moisture present. 	<ol style="list-style-type: none"> 1. All of section A. 2. Dry out and re-seal connections and splices. Megger per Installation Instructions (20 megohms min.) Work on connections outside the thermal insulation first, going to the below insulation connections and seals after the others have been eliminated. 3. Locate and repair or replace damaged heating cable or power wire.**

* Check to see if existing power wire sizing is compatible with larger sized breakers.

** To locate shorting problems, follow these steps:

1. Visually inspect the power connections and splices that are outside of the thermal insulation for proper installation.
2. Check around the valves, pumps, and any area where there may have been maintenance work done, for visual indications of damage.
3. Look for crushed or damaged insulation lagging along the pipe.
4. Inspect heating cable splices under the thermal insulation.
5. If you have not located the problem by now, you will have to isolate one section of the heating cable at a time until you determine the general area of damage. First, isolate by disconnecting any tees or splices then remove insulation from that area until the specific damage is found. For long runs of cable, it may be necessary to cut the cable in half to isolate the shorted section.

SYMPTOMS	PROBABLE CAUSE	CORRECTION
C. Power output is zero or lower than rated. ***	1. Low or no input voltage.	1. Repair electrical supply lines and equipment.
	2. Circuit is shorter than design shows. a. Splices or tees may not have been connected. b. Heating cable may have been severed.	2. Check routing and length of heating cable (use "as-builts"), and recalculate power requirements. a. Connect and recheck the power. b. Locate and repair the damaged heating cable. Recheck the power.
	3. Improper crimping causing a high resistance connection.	3. Re-crimp using correct procedure.
	4. Control thermostat is wired in the opened position.	4. Rewire in the normally closed position.
	5. Pipe is at an elevated temperature.	5. Check pipe temperature and recalculate the output.***
	6. Heating cable has been exposed to excessive moisture.	6,7. Replace the heating cable.
	7. Heating cable has been exposed to excessive temperatures.	
D. Power output appears correct but pipe temperatures are below design value.	1. Insulation is wet.	1. Remove and replace with dry insulation and insure proper weatherproofing.
	2. Insufficient heating cable was used on valves, supports, and other heat sinks.	2. Splice in additional heating cable but do not go over maximum circuit length.
	3. Thermostat was set incorrectly.	3. Reset the thermostat.
	4. There are thermal design inconsistencies.	4. Check with the local or factory representatives for design conditions. Modify as recommended.

*** The power output on lower resistance heating cables is temperature sensitive and requires a special procedure to determine it's value.

1. Check the pipe temperature under the thermal insulation.
2. Allow heating cable to stabilize for 10 minutes and then measure the current.
3. Calculate the power (watts / ft.) of the heating cable by multiplying the current by the input voltage and dividing by the actual circuit length

$$\frac{I \times V}{\text{Ft.}} = \frac{\text{Watts}}{\text{Ft.}}$$

4. Compare this measured value to the power output curves for the heating cable at the measured pipe temperature. If the heating cable's actual output is substantially below the theoretical output, the bus wire interface with the core has been damaged by the fault current and the cable must be replaced. This is not a highly accurate method of analysis, so use discretion in comparing theoretical and actual values.

HEAT TRACE INSTALLATION RECORD

1. Circuit No. _____
2. Receiving Documentation Date _____

	DESIGN	ACTUAL
Item		
A. Cable Type	_____	_____
B. Cable Length	_____	_____
3. Receiving Testing Date _____

A. Check for physical damage	O.K. _____	Damage _____
B. Continuity Check		
Check for continuity between power leads.	O.K. _____	Open _____
C. 500VDC min., 2500VDC recommended, megger check between leads and sheath, 20 megohms min.		Megohms _____
D. Lot No.		No. _____
4. Post Installation Testing Date _____

A. Continuity Check		
Check for continuity between cold leads.	O.K. _____	Open _____
B. 500VDC min., 2500VDC recommended, megger check between leads and sheath, 20 megohms min.		Megohms _____
C. Visually Check Cable Installation Prior to Release for Thermal Insulation.		Visual Check O.K. _____
5. Final Testing and Commissioning Date _____

A. Circuit approved for testing by client.	Approved _____
B. 500VDC min., 2500 VDC recommended, megger check between leads and sheath, 20 megohms min.	Megohms _____
C. Energized Testing (all test data to be within 10% of design data)	
1. Circuit Voltage	DESIGN _____ ACTUAL _____
2. Initial Current	_____
3. Current after 15 minutes of operation	_____
4. Current after 30 minutes of operation	_____
5. Pipe temperature	_____
6. Circuit Acceptance _____

This circuit has been tested and documented in accordance with the above itemized data. This circuit by:

Contractor _____ Date _____

The Heat Trace Installation Record can be used to monitor the initial installation and check out process. This form can be used in conjunction with the Periodic Inspection Record shown in Figure 20.

Figure 21

NOTE**WARRANTY INFORMATION**

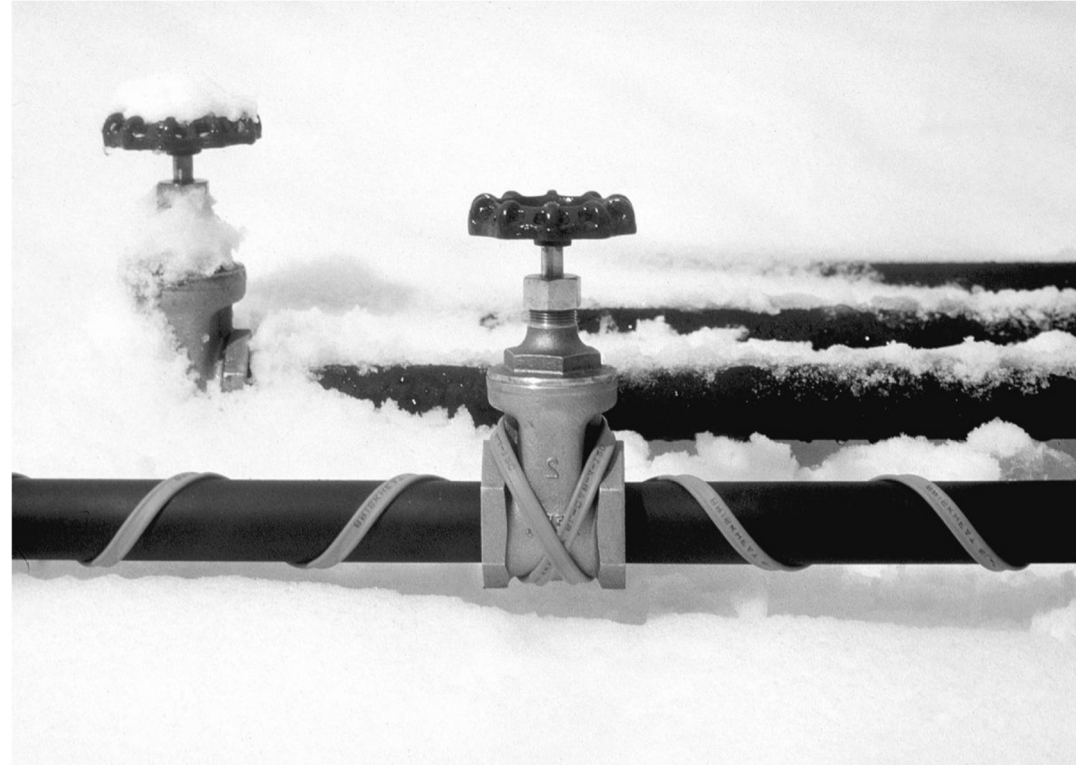
BriskHeat warrants to the original purchaser of this product for the period of eighteen (18) months from date of shipment or twelve (12) months from date of installation, whichever comes first. BriskHeat's obligation and the exclusive remedy under this warranty shall be limited to the repair or replacement, at BriskHeat's option, of any parts of the product which may prove defective under prescribed use and service following BriskHeat's examination, is determined by BriskHeat to be defective. The complete details of the warranty can be found online at www.briskheat.com or by contacting us at 1-800-848-7673 (toll free, U.S. / Canada) or 1-614-294-3376 (Worldwide).

BriskHeat[®]
C o r p o r a t i o n

Corporate Headquarters:
4800 Hilton Corporate Dr.
Columbus, OH 43232, U.S.A.

Europe:
P.O. Box 420124
44275 Dortmund, Germany

Toll Free: 800-848-7673
Phone: 614-294-3376
Fax: 614-294-3807
Email: bhtsales1@briskheat.com




Cable calefactor autorregulado

Manual de instrucciones de instalación y mantenimiento

¡CONSERVE ESTAS INSTRUCCIONES!

Pueden obtenerse copias adicionales de este manual a pedido.

	<p>Debe leer y comprender este manual antes de instalar, hacer funcionar o reparar este producto. La incapacidad de comprender estas instrucciones podría causar un accidente con lesiones graves o la muerte.</p> <p>Guarde estas instrucciones para futura referencia.</p>
---	--

ÍNDICE

INSTRUCCIONES IMPORTANTES DE SEGURIDAD	35
USO PREVISTO DE LAS PIEZAS	36
MATRIZ DE NÚMEROS DE PIEZA	36
PARÁMETROS TÉCNICOS	37
INFORMACIÓN GENERAL	38
Cómo funcionan los sistemas de calefacción	38
SELECCIÓN DE PRODUCTOS	38
RECEPCIÓN Y ALMACENAMIENTO	38
Recepción	38
Almacenamiento:	38
INSTALACIÓN	38
Programación	39
Verificación previa a la instalación	39
Manejo del calefactor	39
Ubicación del cable calefactor	39
Aplicación de calor recta	39
Aplicación en espiral	40
Fijación	40
Corte del cable calefactor	40
Detalles de instalación	40
COMPONENTES DEL SISTEMA	43
Compatibilidad de componentes del sistema	44
SLCBL - Kits de conexión y terminación	45
SLCBL, SLMCBL, SLHCBL - Kits de conexión y terminación	46
SLCAB APROBADO POR FM - Kits de conexión y terminación	47
SLMCAB APROBADO POR FM - Kits de conexión y terminación	47
SLCAB Y SLMCAB APROBADOS POR CSA - Kits de conexión y terminación	48
AISLAMIENTO TÉRMICO	49
Verificaciones previas a la instalación	49
Instalación	49
Marcación	49
TERMOSTATOS Y SENSORES	49
REQUISITOS ELÉCTRICOS	49
Especificación de tensión	49
Carga eléctrica	50
Protección contra fallas a tierra	56
Impermeabilización	56
PRUEBAS	56
Recomendaciones	56
Procedimiento	56
PUESTA EN MARCHA	59
Tiempo de calentamiento	59
Factor de diversidad	59
OPERACIÓN Y MANTENIMIENTO	59
Diseño, instalación y documentación del sistema	59
Mantenimiento preventivo	59
Inspecciones visuales	59
Frecuencia	59
Capacitación del personal	59
Mantenimiento	59
Reparaciones de tuberías	59
PRODUCTOS DAÑADOS	60
GUÍA DE LOCALIZACIÓN DE FALLAS	60
INFORMACIÓN DE GARANTÍA	64

INSTRUCCIONES IMPORTANTES DE SEGURIDAD



SÍMBOLO DE ALERTA DE SEGURIDAD

El símbolo precedente se utiliza para llamarle la atención sobre instrucciones concernientes a su seguridad personal. Sirve para señalar precauciones de seguridad importantes. Significa **¡ATENCIÓN!** **¡Manténgase alerta! ¡Está en juego su seguridad personal!** Lea el mensaje que sigue a continuación y manténgase alerta ante la posibilidad de lesiones personales o la muerte.

PELIGRO

Una persona que no haya leído y comprendido las instrucciones de operación no está calificada para operar este producto.

PELIGRO

- No sumerja el calefactor en líquido.
- Mantenga los materiales volátiles o combustibles lejos del calefactor cuando esté en uso.
- Utilice el calefactor solamente en los lugares aprobados.
- Mantenga los objetos metálicos aguzados lejos del calefactor.

No prestar atención a estas advertencias puede resultar en un choque eléctrico, riesgo de incendio y lesiones personales.

PRECAUCIÓN

- No maneje nunca el calefactor cuando esté en operación; desconecte siempre el calefactor de la fuente de alimentación y espere a que se enfríe antes de manejarlo.
- Inspeccione el calefactor y los kits de conexión antes del uso.
- Si se produce un derrame de material extraño sobre el calefactor, desconéctelo de la fuente de alimentación y límpielo después de que se haya enfriado.
- No opere nunca un calefactor sin un disipador de calor apropiado (el dispositivo que se está calentando se considera un disipador de calor).
- No opere nunca un calefactor por encima del valor de temperatura nominal.
- Sujete el calefactor al dispositivo solo mediante métodos aprobados.
- No repare calefactores dañados o defectuosos.
- No aplaste ni aplique presión física severa sobre el conjunto de calefactor o de cables de alimentación.
- Desconecte el calefactor cuando no se esté utilizando.

No prestar atención a estas advertencias puede resultar en lesiones personales o daños al producto y otros daños materiales.

PELIGRO

Riesgos inmediatos que **CAUSARÁN** lesiones personales graves o la muerte.

ADVERTENCIA

Riesgos o prácticas inseguras que **PODRÍAN CAUSAR** lesiones personales graves o la muerte.

PRECAUCIÓN

Riesgos o prácticas inseguras que **PODRÍAN CAUSAR** lesiones personales menores o daños materiales.

ADVERTENCIA

El usuario final debe cumplir con lo siguiente:

- Solo el personal calificado está autorizado para conectar el cableado eléctrico.
- Desenergice todos los circuitos de alimentación eléctrica antes de la instalación o el servicio.
- Mantenga secos los extremos de los dispositivos calefactores y los componentes del kit antes y durante la instalación.
- La capa conductora de este dispositivo calefactor debe conectarse a un terminal de conexión a masa/tierra adecuado.
- Realice la instalación de acuerdo con el Código Eléctrico Canadense, parte I (Canadá) o el Código Eléctrico Nacional (EE. UU.) según corresponda.
- Todo el cableado eléctrico debe observar los códigos eléctricos locales.
- La persona que realiza la instalación / conexión final debe estar calificada para este trabajo.
- El usuario final es responsable de proporcionar un dispositivo de desconexión adecuado.
- El usuario final es responsable de proporcionar un dispositivo de protección eléctrica adecuado. Se recomienda muy especialmente utilizar un interruptor automático de protección contra fallas a tierra.

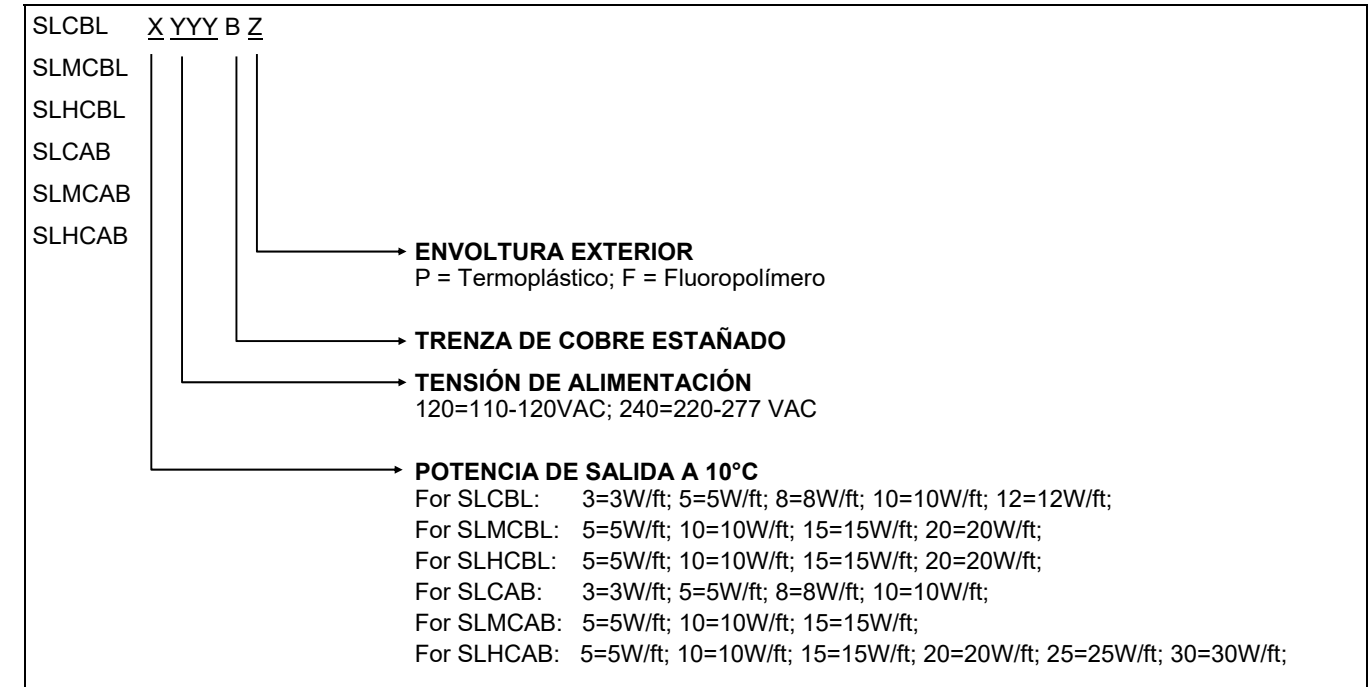
Si no se siguen estas advertencias podrían producirse graves lesiones personales o la muerte.

USO PREVISTO DE LAS PIEZAS

Se deben aplicar para las instalaciones en los EE. UU. las siguientes normas:

- IEEE 515.1 Instalación Tipo A, Superficies aisladas (incluidas tuberías)
- IEEE 515.1 Instalación Tipo B, Descongelación de techos y canaletas
- IEEE 515.1 Instalación Tipo C, Sistemas de fusión de nieve empotrados

MATRIZ DE NÚMEROS DE PIEZA



PARÁMETROS TÉCNICOS

Clase de protección: IP65

Número de pieza	Potencia (W/pie)	Tensión	Temperatura de exposición intermitente máxima	Temperatura de exposición mantenida o continua máxima	
SLCBL	3240	3	208V-277V	85°C	65°C
	5240	5	208V-277V	85°C	65°C
	8240	8	208V-277V	85°C	65°C
	10240	10	208V-277V	85°C	65°C
	12240	12	208V-277V	85°C	65°C
	3120	3	110V-120V	85°C	65°C
	5120	5	110V-120V	85°C	65°C
	8120	8	110V-120V	85°C	65°C
	10120	10	110V-120V	85°C	65°C
SLMCBL	12120	12	110V-120V	85°C	65°C
	5240	5	208V-277V	135°C	110°C
	10240	10	208V-277V	135°C	110°C
	15240	15	208V-277V	135°C	110°C
	20240	20	208V-277V	135°C	110°C
	5120	5	110V-120V	135°C	110°C
	10120	10	110V-120V	135°C	110°C
	15120	15	110V-120V	135°C	110°C
	20120	20	110V-120V	135°C	110°C
SCHCBL	5240	5	208V-277V	200°C	120°C
	10240	10	208V-277V	200°C	120°C
	15240	15	208V-277V	200°C	120°C
	20240	20	208V-277V	200°C	120°C
	5120	5	110V-120V	200°C	120°C
	10120	10	110V-120V	200°C	120°C
	15120	15	110V-120V	200°C	120°C
SLCAB	20120	20	110V-120V	200°C	120°C
	3240	3	208V-277V	85°C	66°C
	5240	5	208V-277V	85°C	66°C
	8240	8	208V-277V	85°C	66°C
	10240	10	208V-277V	85°C	66°C
	3120	3	110V-120V	85°C	66°C
	5120	5	110V-120V	85°C	66°C
	8120	8	110V-120V	85°C	66°C
SLMCAB	10120	10	110V-120V	85°C	66°C
	3240	3	208V-277V	185°C	121°C
	5240	5	208V-277V	185°C	121°C
	8240	8	208V-277V	185°C	121°C
	10240	10	208V-277V	185°C	121°C
	3120	3	110V-120V	185°C	121°C
	5120	5	110V-120V	185°C	121°C
	8120	8	110V-120V	185°C	121°C
	10120	10	110V-120V	185°C	121°C
SLHCAB	5240	5	208V-277V	185°C	121°C
	10240	10	208V-277V	185°C	121°C
	15240	15	208V-277V	185°C	121°C
	20240	20	208V-277V	185°C	121°C
	25240	25	110V-120V	185°C	121°C
	30240	30	110V-120V	185°C	121°C
	5120	5	110V-120V	185°C	121°C
	10120	10	110V-120V	185°C	121°C
	15120	15	110V-120V	232°C	190°C
	20120	20	110V-120V	232°C	190°C
	25120	25	110V-120V	232°C	190°C
	30120	30	110V-120V	232°C	190°C

INFORMACIÓN GENERAL

Este manual está destinado a su uso con los productos de la línea de calefactores autorregulados de BriskHeat. Para aplicaciones que no estén tratadas específicamente, contacte con su representante local.

Cómo funcionan los sistemas de calefacción

Un sistema de cable calefactor eléctrico utiliza el cable para reemplazar el calor que se pierde a través del sistema de aislamiento térmico. El reemplazo del calor perdido permite que la tubería y el producto que está dentro de ella se mantengan a una temperatura constante. Esto evitará que el agua se congele y haga estallar una tubería, o que un líquido se solidifique y la tapone. En los sistemas simples puede energizarse todo el sistema con un contactor o un interruptor, mientras que otros utilizan un termostato con cada cable calefactor para controlar la temperatura.

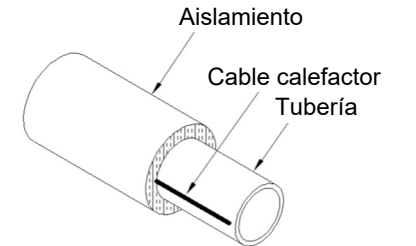


Figura 1

SELECCIÓN DE PRODUCTOS

Por todo lo relativo a selección de productos y asistencia en ingeniería de aplicaciones, consulte con la fábrica de BriskHeat.

RECEPCIÓN Y ALMACENAMIENTO

Recepción

- Compare los materiales con los indicados en el certificado de embarque para verificar que se recibieron los materiales correctos.
- Inspeccione el cable calefactor y los componentes para ver si hubo daños en el tránsito. Se recomienda realizar pruebas de resistencia de aislamiento en cada carrete de cable.
- Si existen documentos de diseño (listas de líneas o listas de materiales por circuito), revise los materiales recibidos en comparación con los indicados en las listas para verificar que se disponga de todos los que sean necesarios. Si no existen documentos de diseño, mantenga un registro de recepción de los materiales recibidos.

Almacenamiento

Los cables y los componentes del sistema deben almacenarse en un lugar limpio y seco. El equipo debe protegerse de los daños mecánicos durante el almacenamiento. El rango de temperatura de almacenamiento es -40 °F a 140 °F (-40 °C a 60 °C).

INSTALACIÓN

⚠ ADVERTENCIA

Si bien hay muchas maneras aceptables de instalar los equipos de calefacción eléctrica de BriskHeat, algunas acciones pueden ser peligrosas para el personal y para sus instalaciones. Procure evitar los siguientes problemas:

- No retuerza entre sí los cables del bus de alimentación en un extremo del cable calefactor. Cada uno de estos cables tiene una tensión aplicada o está conectado al neutro; por lo tanto, al retorcerlos entre sí se causará un cortocircuito.
- Aísle el polímero negro que rodea a los cables del bus. El compuesto negro extruido alrededor de los cables del bus es eléctricamente conductor, y debe tratarse como tal.
- Todas las conexiones eléctricas del sistema deben sellarse contra la humedad. Para prevenir la formación de arcos eléctricos y el riesgo de incendio, todas las conexiones de cables y conexiones eléctricas deben sellarse contra la humedad. Esto incluye el uso de kits de sellado de cables apropiados y la impermeabilización de todas las conexiones de cables.
- No exponga los cables calefactores a temperaturas que superen su especificación máxima. Las temperaturas muy elevadas pueden abreviar considerablemente la vida útil de un cable calefactor.
- Reemplace de inmediato todo cable calefactor o componente dañado. Si no se reemplazan los componentes dañados (cable calefactor, componentes o aislamiento térmico) se producirá una falla del sistema.
- Las áreas clasificadas (con polvo o gases explosivos) requieren el uso de componentes eléctricos especiales. Toda área en la que haya gases explosivos (como en instalaciones químicas o petroquímicas) o polvos explosivos (como en instalaciones de manejo de carbón o graneros) requiere cables, componentes de conexión y componentes de control especiales, que estén aprobados para su empleo en esos lugares. La instalación de productos no aprobados puede dar como resultado incendios o explosiones.
- La instalación de tuberías plásticas requiere consideraciones especiales en cuanto a selecciones y características de instalación.

Programación

La instalación de la aplicación de calor eléctrica debe coordinarse con los grupos de tuberías, aislamiento, electricidad e instrumentación. Debe comenzar una vez que haya finalizado la mayor parte de la construcción mecánica. Las pruebas de presión de las tuberías y la instalación de los instrumentos deben haber finalizado antes del comienzo de la instalación de los cables calefactores.

Verificación previa a la instalación

Recorra el sistema de tuberías y planifique el encaminamiento del cable calefactor. Utilice esta inspección para verificar que se hayan cumplimentado los trabajos de instrumentación y mecánicos. Todos los recubrimientos (pintura, etc.) deben estar secos antes de intentar la instalación del cable calefactor. La temperatura mínima para la instalación es -40 °F (-40 °C).

Manejo del calefactor

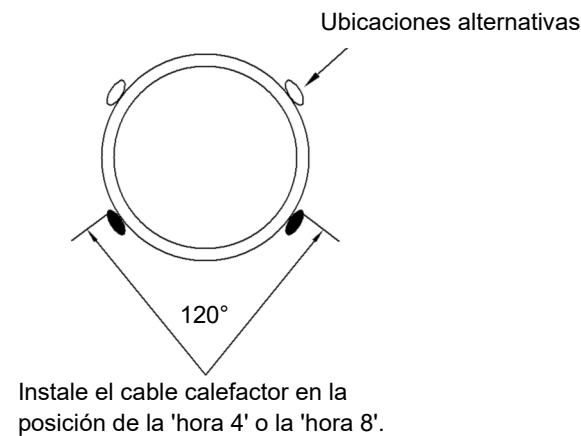
- Utilice un portacarrete para desenrollar el cable calefactor.
- Mantenga el cable tendido flojamente, pero cerca de la tubería a la que se va a aplicar calor. Esto evitará la interferencia con los soportes y otros equipos.
- Deje una longitud extra de 305-457 mm (12-18") de cable calefactor en todas las conexiones de alimentación eléctrica, empalmes T y conexiones de sellado extremo, para facilitar el trabajo de las conexiones.
- **SE REQUIERE CABLE CALEFACTOR ADICIONAL EN VÁLVULAS, SOPORTES DE TUBERÍA Y OTROS EQUIPOS.** Vea las longitudes exactas y el método de instalación en la sección de detalles de instalación.
- Al manejar el cable calefactor, evite arrastrarlo o instalarlo sobre bordes aguzados.
- No retuerza ni aplaste el cable, como por ejemplo caminando o pasando con equipos sobre él.
- No aplique radios de doblado menores de 0.5" (12 mm) a 68 °F (20 °C) durante la instalación. Con temperaturas menores, el radio de doblado mínimo aumenta. Tenga cuidado para no aplicar radios de doblado menores que el valor seguro en instalaciones realizadas a bajas temperaturas.

Ubicación del cable calefactor

El cable calefactor puede instalarse en tramos rectos o tenderse en espiral alrededor de la tubería. El tendido en espiral se utiliza por lo general cuando se dispone de una cantidad limitada de tipos de cable.

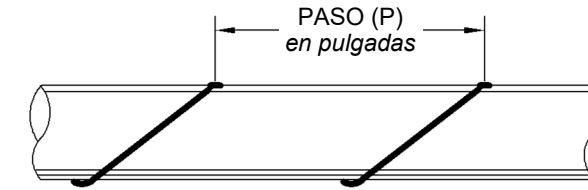
Aplicación de calor recta

Cuando utilice la aplicación de calor recta, instale el cable calefactor en el cuadrante inferior de la tubería. Esto ayuda a evitar daños físicos al cable calefactor causados por objetos que caen o por que se camine encima del cable, y favorece la transferencia de calor opcional a los materiales que están dentro de la tubería.



Aplicación en espiral

La aplicación en espiral aumenta la longitud de cable instalada por cada pie de tubería. Para obtener ayuda en la aplicación en espiral, contacte con la fábrica de BriskHeat.



Fijación

En instalaciones comunes, el cable calefactor puede fijarse con cinta de fibra de vidrio. También pueden utilizarse sujetacables plásticos, siempre que el plástico tenga una especificación de temperatura máxima igual o mejor que los requisitos del sistema. El cable debe ajustarse bien contra la tubería y asegurarse a intervalos de 305 mm (12"), como se muestra en la *Figura 4*.

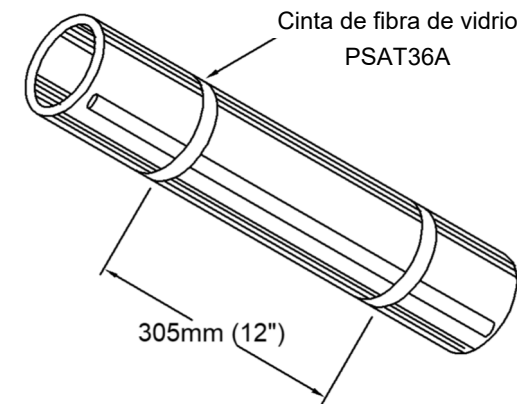


Figura 4

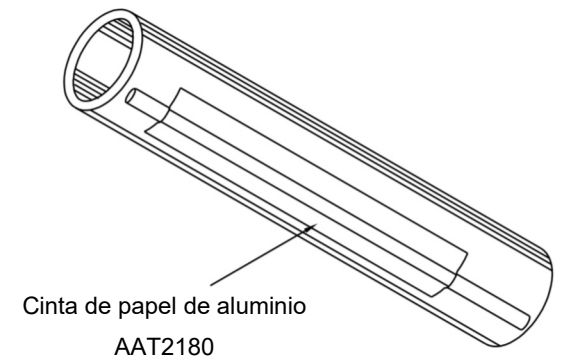


Figura 5

Notas:

1. Para prevenir posibles daños al cable calefactor, no lo sujete con fajas metálicas, alambre, cinta aislante eléctrica vinílica ni cinta adhesiva para conductos.
2. Solo debe usarse cinta de papel de aluminio si está especificado en el diseño. El papel de aluminio se usa más frecuentemente en tuberías plásticas, para compensar el efecto de aislamiento del plástico. Vea la *Figura 5* arriba.

Corte del cable calefactor

No corte el cable hasta que esté fijado a la tubería. Confirme las tolerancias de las terminaciones, conexiones y disipadores de calor (válvulas, soportes, etc.) antes de cortar el cable. La potencia del cable calefactor no es afectada por el corte de su longitud. Proteja los extremos de los cables calefactores de la humedad y del daño mecánico si van a estar expuestos durante períodos prolongados.

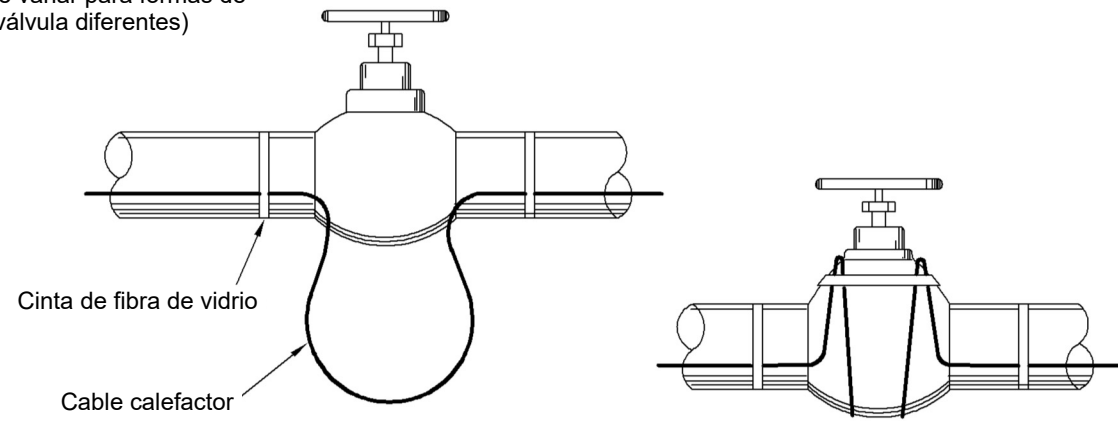
Detalles de instalación

Los cables calefactores deben aplicarse de manera de facilitar la extracción de válvulas y dispositivos pequeños en línea sin tener que extraer demasiado aislamiento térmico ni cortar el cable calefactor. La mejor manera de lograr esto es hacer un lazo con el cable. La cantidad de cable calefactor instalada en cada válvula, soporte colgante, etc. varía con el tamaño de la tubería y el tipo de dispositivo. Para obtener ayuda en la instalación y la aplicación, contacte con la fábrica de BriskHeat.

Las figuras siguientes muestran los detalles de instalación de varias situaciones típicas:

Válvula

Método de instalación típico
(puede variar para formas de
válvula diferentes)



Codo

El cable calefactor debe posicionarse en el radio exterior de todos los codos en las tuberías de 51 mm (2") de diámetro y mayores.

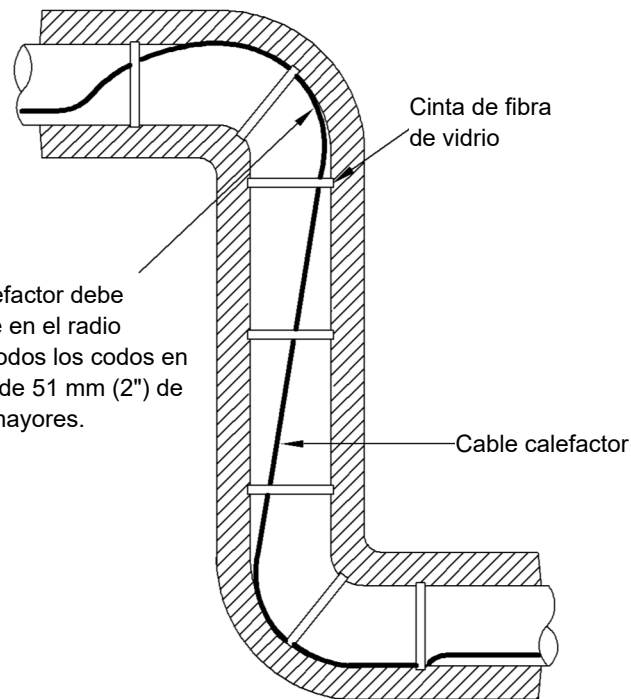


Figura 7

Brida

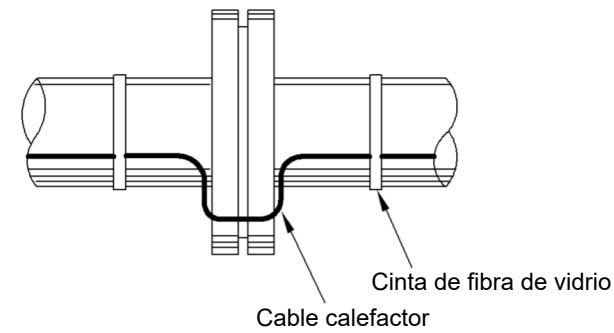


Figura 8

Soporte colgante

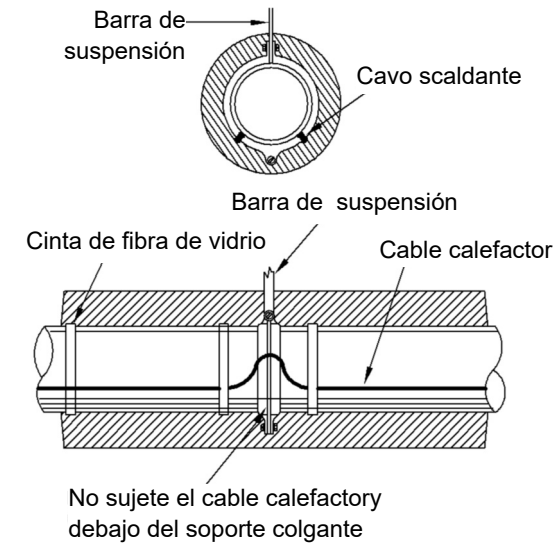


Figura 9

Zapata de soporte

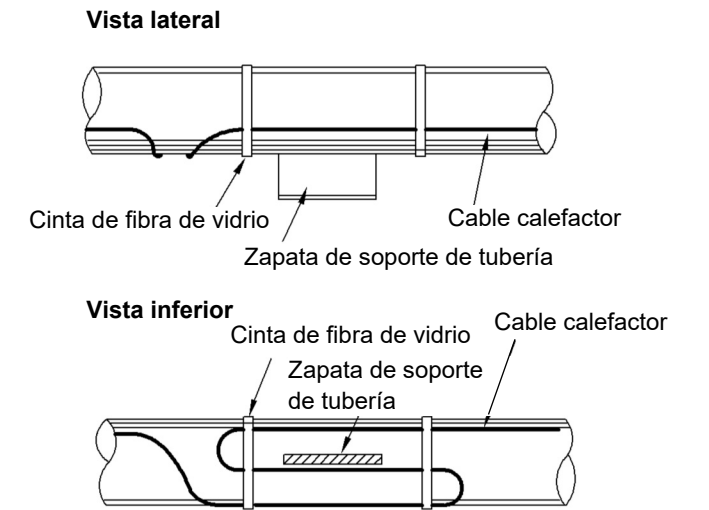


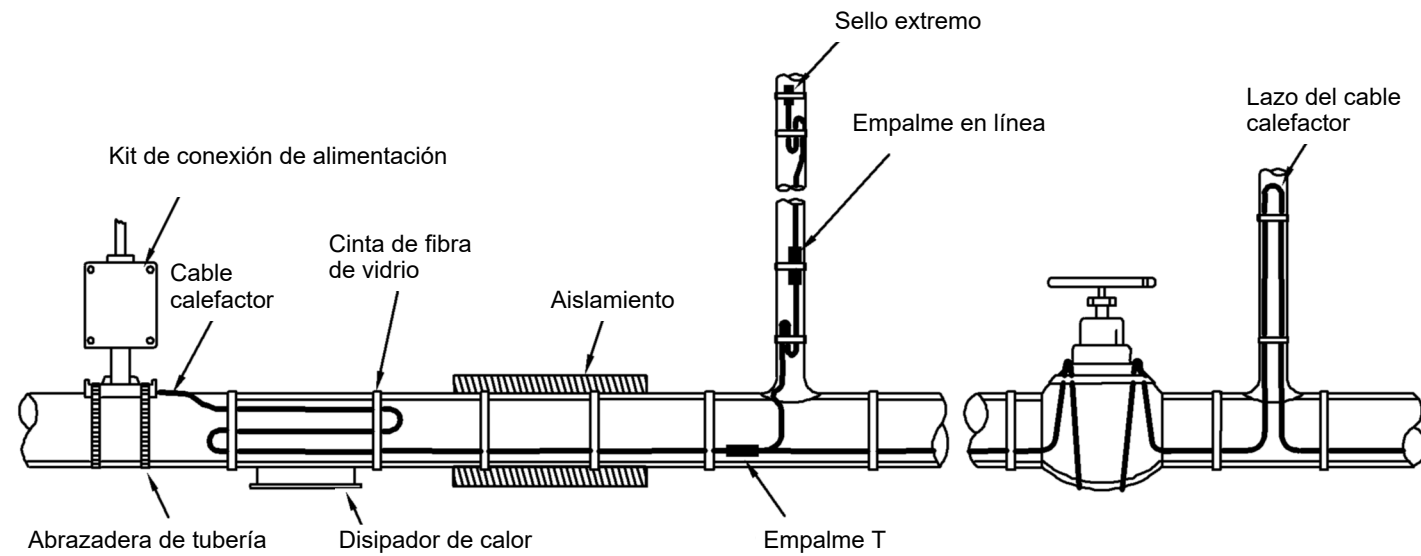
Figura 10

COMPONENTES DEL SISTEMA

Deben usarse únicamente los kits de terminación, conexión y empalme aprobados de BriskHeat. Si no se hace así, se anularán las garantías y las aprobaciones de agencias. Deben observarse las instrucciones de instalación de cada kit de componentes en lo relativo a la preparación y ensamble de los cables calefactores. Haga los sellos (terminaciones) de extremo y las conexiones de empalme antes de hacer las conexiones de alimentación eléctrica. Se recomienda etiquetar todos los cables calefactores a medida que se instalan, con un número de circuito distinto. Esto facilitará la identificación de los componentes necesarios y el conexionado eléctrico en las etapas posteriores de la instalación. Los kits de conexión de alimentación eléctrica utilizan un kit de placa adaptadora para la instalación sobre tanques y tubos de instrumentos. Se incluyen en cada kit las instrucciones de instalación para el montaje.

⚠️ ADVERTENCIA

La conexión de los cables del bus de alimentación entre sí creará un cortocircuito.



Nota: Se requieren conexiones de alimentación eléctrica y sellos extremos para cada cable calefactor. Se utilizan empalmes de cables calefactores, conectores T y termostatos según se necesite.

Figura 11

Compatibilidad de componentes del sistema

	SLCBL	SLMCBL	SLHCBL	SLCAB	SLMCAB	SLHCAB
SLCBLUC	UL US Sí Ubicaciones comunes - Techos y canaletas	No	No	No	No	No
SLCBLUC-GF	UL US Sí Ubicaciones comunes - Techos y canaletas	No	No	No	No	No
SLCBLKC	UL US Sí Ubicaciones comunes - Techos y canaletas	No	No	No	No	No
SLCBLSK	UL US Sí Ubicaciones comunes - Techos y canaletas	No	No	No	No	No
PTBO-GET	SP US Sí Ubicaciones peligrosas	Sí	Sí	No	No	No
JHE-GET	SP US Sí Ubicaciones peligrosas	Sí	Sí	No	No	No
JHS-GET	SP US Sí Ubicaciones peligrosas	Sí	Sí	No	No	No
JHT-GET	SP US Sí Ubicaciones peligrosas	Sí	Sí	No	No	No
SLCABUC	No	No	No	FM APPROVED Sí Ubicaciones comunes y peligrosas	No	No
SLCABSK	No	No	No	FM APPROVED Sí Ubicaciones comunes y peligrosas	No	No
SLCABKC	No	No	No	FM APPROVED Sí Ubicaciones comunes y peligrosas	No	No
SLMCABUC	No	No	No	No	FM APPROVED Sí Ubicaciones comunes y peligrosas	No
SLMCABKC	No	No	No	No	FM APPROVED Sí Ubicaciones comunes y peligrosas	No
SLCABUC-CSA-M	No	No	No	Sí Ubicaciones comunes y peligrosas	SP US Sí Ubicaciones comunes y peligrosas	No
SLCABEND-CSA-2	No	No	No	Sí Ubicaciones comunes y peligrosas	SP US Sí Ubicaciones comunes y peligrosas	No
ROOFKIT	No	No	No	Sí SLCAB-BP únicamente	No	No
ROOFENDKIT	No	No	No	Sí SLCAB-BP únicamente	No	No
SLCABPWP-H	No	No	No	No	No	SP US Sí Ubicaciones comunes y peligrosas
SLCABKC-H	No	No	No	No	No	SP US Sí Ubicaciones comunes y peligrosas

SLCBL - Kits de conexión y terminación

Para uso en ubicaciones comunes con cable SLCBL únicamente (aprobado por UL).

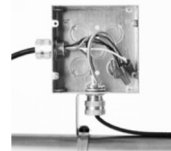
Para uso en aplicaciones de techos y canaletas, fusión de nieve y descongelación con cable SLCBL únicamente (aprobado por UL).



Las aprobaciones son válidas únicamente si se usan los cables calefactores y accesorios de instalación apropiados, y se instalan de acuerdo con las instrucciones, códigos y reglamentaciones aplicables.

SLCBLUC: SLCBL - Kit de conexión de alimentación

Contenido del kit:



- | | |
|--|--|
| 2 Etiquetas de advertencia de Aplicación de calor | 3 Tuercas de empalme de cables |
| 2 Etiquetas de precaución de Descongelación - Fusión de nieve | 1 Tubo termocontraíble negro 1/2" x 1" (13 mm x 25 mm) |
| 1 Soporte de montaje separador para tubería | 1 Tubo termocontraíble verde/amarillo 1/4" x 6" (6 mm x 15 cm) |
| 1 Tuerca de seguridad | 2 Tubos termocontraíbles negros 1/8" x 5-1/2" (3 mm x 14 cm) |
| 1 Conector de sellado NPT 1/2" con alivio de tensiones y arandela aislante | 1 Junta de estanqueidad |
| | 1 Sello extremo |

Suficiente para completar:

Una conexión de alimentación de entrada y una terminación de sello extremo.

NOTA: La caja de conexiones y la abrazadera para tubería se venden por separado. Requiere una caja de conexiones con certificación UL apta para la ubicación, con un agujero de paso para un conducto de 1/2" o un cubo con rosca NPT 1/2". Para cables calefactores sin envoltura exterior (Tipo B únicamente), debe utilizarse una caja de conexiones metálica para asegurar una conexión a tierra correcta.

SLCBLUC-GF: Kit de conexión de alimentación con protección contra fallas a tierra

Contenido del kit:



- | | |
|---|--|
| 2 Etiquetas de advertencia de Aplicación de calor | 1 Tubo termocontraíble 3/4" x 8" (19 mm x 20 cm) |
| 2 Etiquetas de precaución de Descongelación - Fusión de nieve | 1 Tubo termocontraíble 3/4" x 5" (19 mm x 13 cm) |
| 1 Cinta de tela | 2 Tubos termocontraíbles 1/8" x 1" (3 mm x 25 mm) |
| 1 Tiras de mástique | 1 Tubo termocontraíble 1/2" x 1" (13 mm x 25 mm) |
| 2 Precintos para cables | 1 Tubo termocontraíble 5/16" x 1-1/2" (8 mm x 38 mm) |
| 2 Terminales de compresión aislados | 1 Dispositivo de protección contra fallas a tierra con enchufe NEMA 5-15 de tres clavijas, 120 V |
| 1 Terminal de compresión sin aislamiento | |

Suficiente para completar:

Una conexión de alimentación con protección contra fallas a tierra.

SLCBLKC: SLCBL - Kit de sello extremo

Contenido del kit:

- | | |
|--|--|
| 2 Tapas termocontraíbles | 2 Fundas de malla tejida 1/2" x 4" (13 mm x 10 cm) |
| 2 Tubos termocontraíbles 3/4" x 5" (19 mm x 13 cm) | |

Suficiente para completar:

Dos terminaciones de sello extremo.

SLCBLSK: SLCBL - Kit de empalme y conexión T

Contenido del kit:



- | | | |
|------------------------|--|--|
| 1 Precinto para cables | 1 Tubo termocontraíble negro 1" x 8" (25 mm x 20 cm) | 2 Tapas termocontraíbles |
| 3 Sujetacables | 3 Tubo termocontraíbles negros 1/2" x 1" (13 mm x 25 mm) | 1 Tubo termocontraíble |
| 1 Cinta de tela | 6 Tubos termocontraíbles negros 1/8" x 1" (3 mm x 25 mm) | 1 Terminal de compresión sin aislamiento |
| 5 Tiras Matic | 2 Terminales de compresión aislados | 1 Sello extremo |

Suficiente para completar:

Una conexión de empalme y una terminación de sello extremo, o una conexión T y una terminación de sello extremo.

NOTA: Este kit no completa una conexión de alimentación de entrada.

SLCBL, SLMCBL, SLHCBL - Kits de conexión y terminación

Para uso en ubicaciones de áreas peligrosas con cable SLCBL (BP, BF) únicamente (aprobado por CSA).

Para uso en ubicaciones de áreas no peligrosas con cable SLCBL, SLMCBL o SLHCBL (no aprobado por CSA).



Las aprobaciones son válidas únicamente si se usan los cables calefactores y accesorios de instalación apropiados, y se instalan de acuerdo con las instrucciones, códigos y reglamentaciones aplicables.

Ubicaciones peligrosas (clasificadas)
Clase I, División 2, Grupos A, B, C, D
Clase II, División 2, Grupos E, F, G
Clase III

PTBO-GET: SLCBL, SLMCBL, SLHCBL - Kit de conexión de alimentación con gabinete octogonal

Contenido del kit:

- | | |
|--|--|
| 1 Caja de conexiones octogonal con conexiones de terminals de alimentación | 1 Conector de sellado M25 x 1.5 IP68 |
| 1 Soporte de montaje separador para tubería | 2 Arandelas aislantes de sellado impermeable |
| 2 Abrazaderas para tubería | 1 Tapón de sellado impermeable |
| 1 Tuerca de seguridad | 2 Tubos termocontraíbles verde/amarillo 1/4" x 6" (6 mm x 15 cm) |
| 1 Junta de estanqueidad | 2 Tubos termocontraíbles negros 1/8" x 5-1/2" (3 mm x 14 cm) |

Enough to complete:

Una terminación de sello extremo de bajo perfil.

JHE-GET: SLCBL, SLMCBL, SLHCBL - Kit de sello extremo de bajo perfil

Contenido del kit:



- | |
|--|
| 1 Alojamiento para sello extremo |
| 1 Arandela aislante de sellado impermeable |
| 3 Extremos de sello de presión con tornillos |

Enough to complete:

One low-profile end seal termination.

JHS-GET: SLCBL, SLMCBL, SLHCBL - Kit de conexión de empalme de bajo perfil

Contenido del kit:



- | |
|--|
| 1 Alojamiento para empalme en línea |
| 2 Arandelas aislantes de sellado impermeable |
| 2 Cubiertas de alojamiento con tornillos |
| 2 Arandelas aislantes de sellado impermeable |
| 2 Extremos de sello de presión con tornillos |

Enough to complete:

Una terminación de empalme de bajo perfil.

JHT-GET: SLCBL, SLMCBL, SLHCBL - Kit de conexión T de bajo perfil

Contenido del kit:



- | |
|--|
| 1 Alojamiento para empalme T |
| 2 Arandelas aislantes de sellado impermeable |
| 2 Cubiertas de alojamiento con tornillos |
| 3 Arandelas aislantes de sellado impermeable |
| 3 Extremos de sello de presión con tornillos |

Enough to complete:

Una conexión T de bajo perfil.

NOTA: Este kit no completa una conexión de alimentación de entrada.

SLCAB APROBADO POR FM - Kits de conexión y terminación

KITS

SLCABUC: SLCAB - Kit de conexión universal. Aprobado por FM.

- 1 Separador para tubería NPT 3/4" (19 mm)
- 2 Terminales anillo
- 4 Conectores de compresión aislados, grandes
- 2 Conectores de compresión aislados, pequeños
- 2 Abrazaderas para tubería [para tuberías IPS de hasta 6" (152 mm)]
- 2 Tapas extremas de disipador de calor
- 1 Funda contraíble de 6" (152 mm)
- 1 Tubo de sellador RTV de 3 oz. (89 mL)
- 1 Rollo de cinta de fibra de vidrio
- 1 Etiqueta de precaución
- 1 Tornillo de conexión a tierra



Ubicaciones communes
Ubicaciones peligrosas (clasificadas)
Clase I, División 2, Grupos B, C, D
Clase II, División 2, Grupos F, G
Clase III, División 2

Las aprobaciones son válidas únicamente si se usan los cables calefactores y accesorios de instalación apropiados, y se instalan de acuerdo con las instrucciones, códigos y reglamentaciones aplicables.

Suficiente para completar:

Dos terminaciones extremas y una conexión de entrada, o un empalme de alimentación de entrada.

NOTA: Requiere una caja de conexiones para NPT 3/4" (19 mm).

SLCABSK: SLCABSK - Kit. Aprobado por FM.

- 20 Conectores de compresión amarillos, grandes
- 20 Conectores de compresión azules, grandes
- 10 Tubos termocontraíbles
- 1 Tubo de sellador RTV de 3 oz. (89 mL)

Suficiente para completar:

Diez conexiones de alimentación, o diez empalmes T.

SLCABKC: SLCAB - Kit de sello extremo. Aprobado por FM.

- 10 Tubos termocontraíbles

Suficiente para completar:

Diez terminaciones extremas.

SLMCAB APROBADO POR FM - Kits de conexión y terminación kit

KIT

SLMCABUC: SLMCAB - Kit de conexión universal. Aprobado por FM.

- 1 Separador para tubería NPT 3/4" (19 mm)
- 2 Terminales anillo
- 3 Conectores de compresión grandes
- 2 Conectores de compresión pequeños
- 2 Abrazaderas para tubería [para tuberías IPS de hasta 6" (152 mm)]
- 2 Manguitos extremos
- 1 Tubo de sellador RTV de 3 oz. (89 mL)
- 1 Rollo de cinta de fibra de vidrio
- 1 Etiqueta de precaución
- 1 Tornillo de conexión a tierra



Ubicaciones communes
Ubicaciones peligrosas (clasificadas)
Clase I, División 2, Grupos B, C, D
Clase II, División 2, Grupos F, G
Clase III, División 2

Las aprobaciones son válidas únicamente si se usan los cables calefactores y accesorios de instalación apropiados, y se instalan de acuerdo con las instrucciones, códigos y reglamentaciones aplicables.

Suficiente para completar:

Dos terminaciones extremas y una conexión de entrada, o un empalme de alimentación de entrada, o un empalme T

NOTA: Requiere una caja de conexiones para NPT 3/4" (19 mm).

SLMCABKC: SLMCAB - Kit de sello extremo. Aprobado por FM.

- 10 Manguitos extremos
- 4 Rollos de cinta de fibra de vidrio
- 1 Tubo de sellador RTV de 3 oz. (89 mL)

Suficiente para completar:

Diez terminaciones extremas.

SLCAB Y SLMCAB APROBADOS POR CSA - Kits de conexión y terminación

KITS

SLCABUC-CSA-M: SLCAB y SLMCA`B - Kit de conexión universal. Aprobado por CSA.

- 1 Cuerpo de conector
- 1 Tapa de conector
- 2 Arandelas de apoyo de conector
- 1 Arandela aislante
- 1 Manguito de terminación
- 1 Sujeción de alivio de tensiones
- 1 Soporte separador
- 1 Tuerca de seguridad
- 1 Bloque de terminación
- 1 Rollo de cinta de fibra de vidrio
- 1 Sellador de silicona
- 1 Abrazadera para tubería [para tuberías de D. E. 2" a 6" (51 a 152 mm)]
- 1 Terminal de anillo
- 1 Kit de sello extremo



Ubicaciones comunes 130-03 (-G,-W, -S)
Ubicaciones peligrosas (clasificadas)
Clase I, División 1[†] and 2, Grupos B, C, D
Clase II, División 1[†] and 2, Grupos E, F, G
Clase III, División 1[†] and 2
3, 5, 8 W/ft T6
10 W/ft T5

Las aprobaciones son válidas únicamente si se usan los cables calefactores y accesorios de instalación apropiados, y se instalan de acuerdo con las instrucciones, códigos y reglamentaciones aplicables.

*2E aprobada para 3 watts/pie y 5 watts/pie únicamente.

Suficiente para completar:

Una conexión de entrada y una terminación extrema. Pueden hacerse empalmes y empalmes de entrada de alimentación mediante el uso de dos kits.

NOTA: Requiere una caja de conexiones para NPT 3/4" (19 mm).

SLCABEND-CSA-2: SLCAB y SLMCAB - Kit de sello extremo. Aprobado por CSA.

- 1 Tapa extrema
- 1 Abrazadera
- 1 Sellador

Suficiente para completar:

Una terminación extrema.

SLHCAB APROBADOS POR CSA - Kits de conexión y terminación

KITS

SLCABPWP-H : SLHCAB Kit de conexión de potencia para tuberías. Aprobado por CSA.

- 1 Base
- 1 Parte superior
- 2 Caja de conexiones
- 1 Ojal de sellado (agujero grande)
- 1 Ojal de sellado (agujero pequeño)
- 1 Junta de sellado
- 2 Tubos retráctiles 1/8" x 5 1/2" (negro)
- 1 Tubo retráctil 1/4" x 5 1/2" (verde / amarillo)
- 1 Tubo retráctil 1/2" x 1 1/2" (blanco)
- 1 Anillo de cierre
- 1 Adaptador (para instalación en tubería menor de 1")
- 1 Alambre de acero inoxidable



Ubicaciones comunes 130-03 (-G,-W, -S)
Ubicaciones peligrosas (clasificadas)
Class I, Division 1[†] and 2, Groups B, C, D
Class II, Division 1[†] and 2, Groups E, F, G
Class III, Division 1[†] and 2
3, 5, 8 W/ft T6
10 W/ft T5

Las aprobaciones son válidas únicamente si se usan los cables calefactores y accesorios de instalación apropiados, y se instalan de acuerdo con las instrucciones, códigos y reglamentaciones aplicables.

Suficiente para completar:

Una conexión de entrada y una terminación extrema. Pueden hacerse empalmes y empalmes de entrada de alimentación mediante el uso de dos kits.

NOTA: Requiere una caja de conexiones para NPT 3/4" (19 mm).

SLCABKC-H: SLHAB Kit de sello extremo. Aprobado por CSA.

- 1 Tapa extrema
- 1 Abrazadera
- 1 Sellador

Suficiente para completar:

Una terminación extrema.

[†]Aprobación CI / D1 solo para BF. Comuníquese con un representante de BriskHeat para obtener información sobre los sistemas de ubicación peligrosa de la División I.

AISLAMIENTO TÉRMICO

Verificaciones previas a la instalación

Inspeccione el cable calefactor y los componentes para comprobar que la instalación sea correcta y no haya daños. En particular:

- Verifique que se haya instalado la cantidad extra correcta de cable calefactor en cada válvula, brida, soporte de tubería, etc. y que esté libre de melladuras, desgarros y estriado. Una cantidad de cable adicional más allá de la especificada en un disipador de calor no es un problema debido al efecto de autorregulación del cable calefactor.
- Verifique que las conexiones, empalmes y sellos extremos estén instalados correctamente, incluidos los sellos de cable en los gabinetes de conexiones de alimentación.
- Asegúrese de que el aislamiento esté especificado correctamente para la máxima temperatura de exposición del sistema calentado.

Installation

Verifique el tipo y espesor del aislamiento térmico según los criterios de diseño. Los cambios en el tipo o espesor del aislamiento pueden requerir un cable calefactor de diferente potencia (watts). Verifique que todas las tuberías, incluidas las penetraciones en la pared, conectores, etc. se hayan aislado completamente.

Revise el sistema para verificar que:

- El aislamiento no esté húmedo por lluvia antes de la aplicación de la impermeabilización.
- Las juntas de traslape de las tuberías verticales estén correctamente superpuestas, con el trozo superior superpuesto sobre la parte superior del trozo inferior.
- Se utilicen sellos de banda en las juntas de traslape para prevenir el ingreso de agua.
- Todas las penetraciones de la envuelta termoaislante (vástagos de válvula, barras de suspensión, etc.) estén correctamente impermeabilizadas.
- Los elementos de forma irregular (como bombas, etc.) estén correctamente impermeabilizados.

Para minimizar daños potenciales al cable calefactor, instale el aislamiento tan pronto como sea posible. Se recomienda realizar otra prueba de resistencia de aislamiento (con megóhmetro) después de haber instalado el aislamiento, para verificar que el cable calefactor no se haya dañado durante la instalación del aislamiento.

Marcación

Instale letreros 'Aplicación de calor eléctrica' en lados alternados de la tubería, a intervalos regulares, como advertencia para el personal de mantenimiento. Marque de manera permanente el lado exterior de la envuelta termoaislante con la ubicación de los componentes del cable calefactor. Esto facilitará el mantenimiento en caso de que se produzca un problema.

TERMOSTATOS Y SENSORES

Las aplicaciones sensibles a la temperatura requieren el uso de un control termostático. La selección del termostato apropiado debe considerar las especificaciones de tensión (volts) y corriente (amperes) del dispositivo, así como la adecuación del alojamiento al ambiente (antiexplosivo, a prueba de lluvia, resistente a la corrosión, etc.). El alojamiento del termostato debe montarse tan cerca como sea posible del kit de conexión de alimentación. Puede fijarse al kit de conexión de alimentación siempre que se cumplan los requisitos de los códigos respecto al sellado de las conexiones de conducto, etc. Para detectar la temperatura del aire más fría, los termostatos ambientales (de detección de la temperatura del aire) deben montarse a la sombra en la medida de lo posible. Cuando se utilizan termostatos de detección de la temperatura de tuberías, el bulbo (sensor) debe montarse en el lado de la tubería opuesto al del calefactor, o tan lejos como sea practicable. Esto permitirá que el termostato detecte la temperatura real de la tubería y no esté influenciado por la temperatura del calefactor. Si fuera posible, monte el bulbo a una distancia de tres (3) pies como mínimo del disipador de calor más cercano.

La humedad presente dentro del gabinete causará corrosión y problemas de cortocircuito eléctrico. El potencial de este tipo de problema puede reducirse mucho con:

- Un sellado correcto de todas las aberturas de gabinetes.
- Mantener la cubierta del gabinete cerrada y asegurada todo lo posible durante la secuencia de la instalación.
- Cierre y sellado correctos de la cubierta para prevenir las fugas hacia el alojamiento.
- Uso de un rociador (aerosol) impermeabilizador/sellador eléctrico en las conexiones del termostato y eléctricas (incuidas todas las piezas metálicas) al finalizar el aislamiento.
- Conexión y uso de un calefactor de ambiente si está equipado así el termostato. No desenergice el calefactor de ambiente durante los meses de verano.

REQUISITOS ELÉCTRICOS

Especificación de tensión

Verifique que la especificación de tensión el cable calefactor sea apta para el servicio que se utiliza. Los cables con especificación de 240 volts pueden utilizarse entre 208 y 277 volts, con el correspondiente cambio en la potencia de salida.

Carga eléctrica

En las Figuras 12 y 13 se muestran los calibres de los dispositivos protectores contra sobrecorrientes. Si los dispositivos no son interruptores automáticos termomagnéticos estándar, consulte a la fábrica.

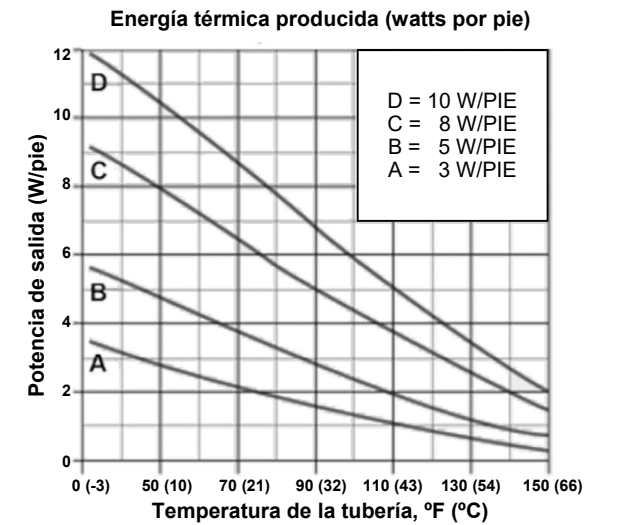
(Para la instalación en los EE. UU.): todos los interruptores automáticos correctamente especificados deben identificarse por medio de una etiqueta de referencia que indique qué circuito de derivación alimenta a los circuitos de los conjuntos de cables calefactores.

SLCAB

Longitud de circuito máxima en pies en función del calibre del interruptor automático

Tipo de cable calefactor	Calibre del interruptor automático	Temperatura de puesta en marcha		
		50°F (10°C)	0°F (-18°C)	-20°F (-29°C)
SLCAB3120	15 A	300	200	180
	20 A	-	270	230
SLCAB3240	30 A	-	330	330
	15 A	660	410	360
SLCAB3240	20 A	-	560	480
	30 A	-	660	660
SLCAB5120	15 A	230	150	130
	20 A	270	200	175
SLCAB5120	30 A	-	270	260
	15 A	460	300	260
SLCAB5240	20 A	540	400	345
	30 A	-	540	520
SLCAB8120	15 A	150	95	85
	20 A	200	125	100
	30 A	210	190	170
	40 A	-	210	210
SLCAB8240	15 A	295	195	170
	20 A	390	250	225
	30 A	420	375	340
	40 A	-	420	420
SLCAB10120	15 A	115	70	60
	20 A	150	95	85
	30 A	180	145	120
	40 A	-	180	165
SLCAB10240	15 A	230	150	130
	20 A	305	200	175
	30 A	360	300	260
	40 A	-	360	360

Figura 12



Factores de ajuste de tensión

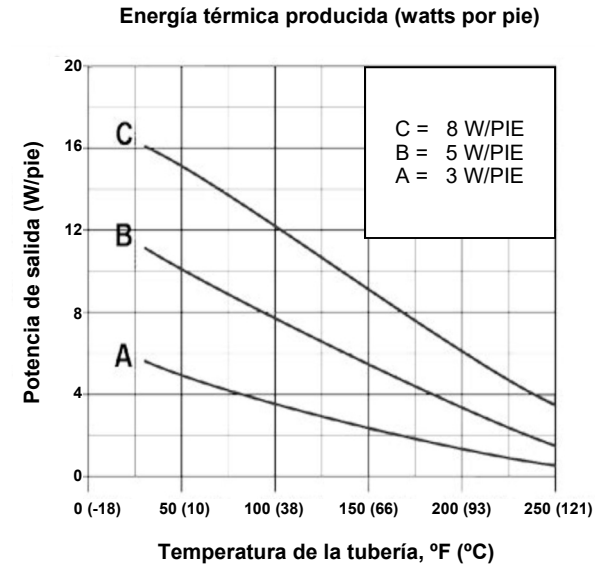
Factor de ajuste de potencia		
Tipo de producto	208 V CA	277 V CA
SLCAB3240	0.75	1.28
SLCAB5240	0.86	1.16
SLCAB8240	0.91	1.10
SLCAB10240	0.93	1.08

SLMCAB

Longitud de circuito máxima en pies en función del calibre del interruptor automático

Tipo de cable calefactor	Calibre del interruptor automático	Temperatura de puesta en marcha		
		50°F (10°C)	0°F (-18°C)	-20°F (-29°C)
SLMCAB5120	15 A	150	135	130
	20 A	200	180	170
	30 A	240	220	210
SLMCAB5240	15 A	250	230	220
	20 A	330	305	295
	30 A	480	440	420
SLMCAB10120	15 A	90	85	80
	20 A	120	110	105
	30 A	180	165	160
SLMCAB10240	15 A	140	130	125
	20 A	190	175	170
	30 A	280	260	250
SLMCAB15120	15 A	70	65	60
	20 A	90	85	80
	30 A	130	125	120
SLMCAB15240	15 A	100	95	90
	20 A	135	125	120
	30 A	200	185	180

Figura 13



Factores de ajuste de tensión

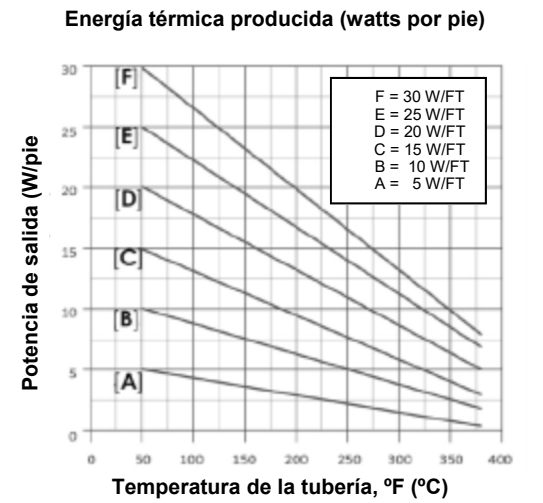
Factor de ajuste de potencia		
Tipo de producto	208 V CA	277 V CA
SLMCAB5240	0.78	1.25
SLMCAB10240	0.86	1.16
SLMCAB15240	0.92	1.09

SLHCAB

Longitud de circuito máxima en pies en función del calibre del interruptor automático

Tipo de cable calefactor	Calibre del interruptor automático	Temperatura de puesta en marcha		
		50°F (10°C)	-0°F (-20°C)	-50°F (-45°C)
SLHCAB5120	10 A	240	140	115
	15 A	320	220	190
	20 A	330	265	225
SLHCAB5240	10 A	485	275	232
	15 A	643	436	377
	20 A	660	530	449
SLHCAB10120	10 A	162	105	80
	15 A	249	170	127
	20 A	265	215	164
SLHCAB10240	10 A	324	209	160
	15 A	498	337	255
	20 A	530	433	328
SLHCAB15120	10 A	123	54	52
	15 A	177	90	82
	20 A	200	115	103
SLHCAB15240	20 A	406	229	206
	30 A	420	350	275
	40 A	420	350	320
SLHCAB20120	10 A	75	45	35
	15 A	121	65	55
	20 A	150	80	70
SLHCAB20240	20 A	295	164	141
	30 A	315	215	170
	40 A	360	215	215
SLHCAB25120	10 A	55	30	25
	15 A	90	45	45
	20 A	115	60	50
SLHCAB25240	20 A	229	124	98
	30 A	229	158	120
	40 A	240	158	158
SLHCAB30120	20 A	229	124	98
	30 A	229	158	120
	40 A	240	158	158
SLHCAB30240	20 A	229	124	98
	30 A	229	158	120
	40 A	240	158	158

Figura 14



Factores de ajuste de tensión

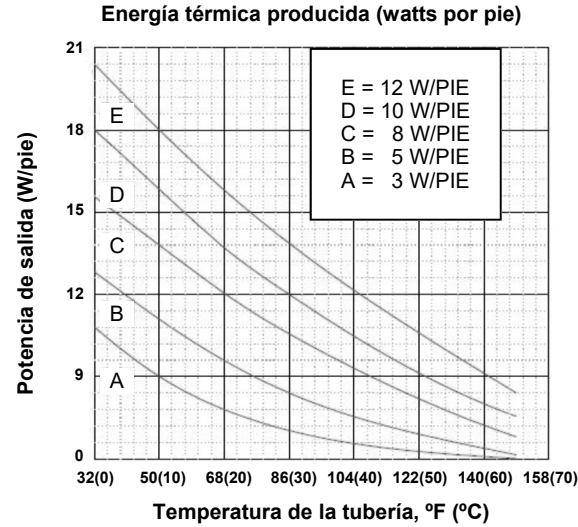
Factor de ajuste de salida de vatios / pies		
Tipo de producto	208 V CA	277 V CA
SLHCAB10240	0.88	1.14
SLHCAB20240	0.94	1.08
SLHCAB30240	0.99	1.01

SLCBL

Longitud de circuito máxima en pies en función del calibre del interruptor automático

Tipo de cable calefactor	Calibre del interruptor automático	Temperatura de puesta en marcha			
		50°F (10°C)	32°F (0°C)	-4°F (-20°C)	-40°F (-40°C)
SLCBL3120	10 A	240	200	140	115
	15 A	320	300	220	190
	20 A	330	320	265	225
	30 A	330	320	280	265
SLCBL3240	10 A	485	396	275	232
	15 A	643	606	436	377
	20 A	660	643	530	449
	30 A	660	643	557	530
SLCBL5120	10 A	162	135	105	80
	15 A	249	215	170	127
	20 A	265	252	215	164
	30 A	265	252	240	200
SLCBL5240	10 A	324	269	209	160
	15 A	498	429	337	255
	20 A	530	505	433	328
	30 A	530	505	480	400
SLCBL8120	10 A	123	100	54	52
	15 A	177	145	90	82
	20 A	200	180	115	103
	30 A	210	180	175	135
SLCBL8240	10 A	246	203	108	104
	15 A	354	291	183	164
	20 A	406	360	229	206
	30 A	420	360	350	275
SLCBL10120	10 A	75	55	45	35
	15 A	121	85	65	55
	20 A	150	105	80	70
	30 A	155	120	105	85
SLCBL10240	10 A	147	111	85	68
	15 A	242	177	131	114
	20 A	295	216	164	141
	30 A	315	246	215	170
SLCBL12120	10 A	55	40	30	25
	15 A	90	60	45	45
	20 A	115	80	60	50
	30 A	115	90	80	60
SLCBL10240	10 A	111	78	59	49
	15 A	183	124	91	85
	20 A	229	160	124	98
	30 A	229	180	158	120
SLCBL10240	10 A	111	78	59	49
	15 A	183	124	91	85
	20 A	229	160	124	98
	30 A	229	180	158	120

Figura 15



Factores de ajuste de tensión

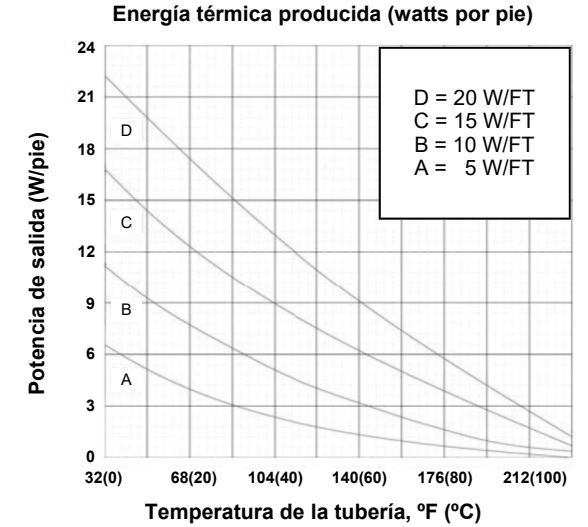
Factor de ajuste de salida, watts/pie		
Tipo de producto	208 V CA	277 V CA
SLCBL3240	0.82	1.13
SLCBL5240	0.85	1.12
SLCBL8240	0.89	1.08
SLCBL10240	0.89	1.08
SLCBL12240	0.89	1.08

Factor de ajuste de la longitud de circuito máx.		
Tipo de producto	208 V CA	277 V CA
SLCBL3240	0.96	1.08
SLCBL5240	0.94	1.09
SLCBL8240	0.92	1.11
SLCBL10240	0.92	1.11
SLCBL12240	0.92	1.11

SLMCBL

Longitud de circuito máxima en pies en función del calibre del interruptor automático

Tipo de cable calefactor	Calibre del interruptor Automático	Temperatura de puesta en marcha			
		50°F (10°C)	32°F (0°C)	-4°F (-20°C)	-40°F (-40°C)
SLMCBL5120	10 A	110	80	-	-
	15 A	133	105	98	90
	20 A	195	160	148	138
	30 A	210	195	170	165
SLMCBL5240	10 A	220	160	145	135
	15 A	265	210	195	180
	20 A	390	320	295	275
	30 A	420	390	365	360
SLMCBL10120	10 A	75	73	-	-
	15 A	100	95	80	70
	20 A	133	148	125	100
	30 A	174	180	156	130
SLMCBL10240	10 A	150	145	121	114
	15 A	200	190	160	140
	20 A	265	295	249	200
	30 A	347	360	311	280
SLMCBL15120	10 A	57	51	-	-
	15 A	94	87	57	54
	20 A	120	108	71	69
	30 A	154	133	80	80
SLMCBL15240	10 A	114	101	68	65
	15 A	187	173	114	108
	20 A	239	216	141	137
	30 A	308	265	180	173
SLMCBL20120	10 A	51	41	-	-
	15 A	82	72	51	49
	20 A	102	90	67	61
	30 A	131	115	84	74
SLMCBL20240	10 A	101	82	62	55
	15 A	164	144	101	98
	20 A	203	180	134	121
	30 A	262	229	167	147
SLMCBL20240	10 A	101	82	62	55
	15 A	164	144	101	98
	20 A	203	180	134	121
	30 A	262	229	167	147



Factores de ajuste de tensión

Factor de ajuste de salida, watts/pie		
Tipo de producto	208 V CA	277 V CA
SLMCBL5240	0.84	1.20
SLMCBL10240	0.85	1.18
SLMCBL15240	0.91	1.09
SLMCBL20240	0.90	1.07

Factor de ajuste de la longitud de circuito máx.		
Tipo de producto	208 V CA	277 V CA
SLMCBL5240	0.95	1.04
SLMCBL10240	0.94	1.06
SLMCBL15240	0.91	1.10
SLMCBL20240	0.91	1.11

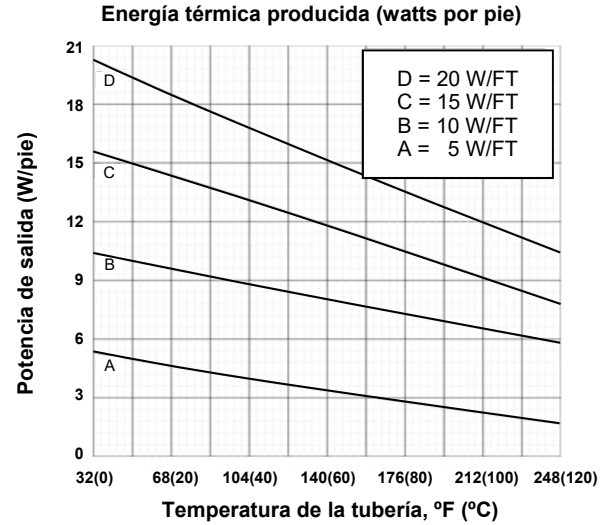
Figura 16

SLHCBL

Longitud de circuito máxima en pies en función del calibre del interruptor automático

Tipo de cable calefactor	Calibre del interruptor Automático	Temperatura de puesta en marcha			
		50°F (10°C)	32°F (0°C)	-4°F (-20°C)	-40°F (-40°C)
SLHCBL5120	10 A	120	110	105	90
	15 A	180	175	158	143
	20 A	240	215	190	180
	30 A	259	245	240	225
	40 A	266	255	250	240
SLHCBL5240	10 A	240	220	210	180
	15 A	360	350	315	285
	20 A	479	430	380	360
	30 A	518	490	480	450
	40 A	531	510	500	480
SLHCBL10120	10 A	73	69	65	58
	15 A	118	110	98	88
	20 A	148	140	130	118
	30 A	220	200	182	175
	40 A	255	240	220	230
SLHCBL10240	10 A	146	138	130	116
	15 A	236	220	195	175
	20 A	295	280	260	235
	30 A	440	400	364	350
	40 A	510	480	440	460
SLHCBL15120	10 A	50	47	42	40
	15 A	75	65	63	60
	20 A	100	90	83	80
	30 A	143	135	125	120
	40 A	190	175	168	160
SLHCBL15240	10 A	100	93	83	80
	15 A	150	130	125	120
	20 A	200	180	165	160
	30 A	285	270	250	240
	40 A	380	350	335	320
SLHCBL20120	10 A	39	33	34	32
	15 A	58	55	50	48
	20 A	75	71	68	63
	30 A	115	105	100	95
	40 A	153	143	133	125
SLHCBL20240	10 A	77	70	67	63
	15 A	115	110	100	95
	20 A	150	142	135	125
	30 A	230	210	200	190
	40 A	306	286	265	250

Figura 17



Factores de ajuste de tensión

Factor de ajuste de salida, watts/pie		
Tipo de producto	208 V CA	277 V CA
SLHCBL5240	0.87	1.07
SLHCBL10240	0.88	1.08
SLHCBL15240	0.88	1.08
SLHCBL20240	0.86	1.07

Factor de ajuste de la longitud de circuito máx.

Factor de ajuste de la longitud de circuito máx.		
Tipo de producto	208 V CA	277 V CA
SLHCBL5240	0.99	1.08
SLHCBL10240	0.99	1.06
SLHCBL15240	0.98	1.06
SLHCBL20240	1.00	1.08

Protección contra fallas a tierra

De acuerdo con el Código Eléctrico Nacional de los EE. UU., se requieren interruptores automáticos de protección contra fallas a tierra en todas las construcciones de calefactores. Normalmente se requieren dispositivos con una corriente de disparo de 30 mA, debido a las fugas capacitivas propias de la construcción del cable calefactor.

Impermeabilización

La penetración de humedad del sistema eléctrico es la mayor de las fuentes de problemas en la instalación de un Sistema de cable calefactor. Por lo tanto, debe cuidarse en especial el sellado correcto de todas las conexiones y empalmes eléctricos. Los kits de sellado de cables calefactores proporcionan un sello correcto para el cable calefactor mismo, cuando se utilizan según las instrucciones. Todas las demás conexiones eléctricas (calefactor a conexiones de alimentación, conexiones de termostato, conexiones de paneles e interruptores automáticos, etc.) deben sellarse o impermeabilizarse de algún modo. Debe aplicarse mástique, un tubo contraible o un sellador aislante eléctrico en aerosol en todas las conexiones, para reducir toda posible penetración de humedad. El sellador también reducirá el potencial de corrosión de las piezas metálicas expuestas.

PRUEBAS

Recomendaciones

Se recomienda realizar pruebas eléctricas en puntos específicos de la recepción y la instalación del cable calefactor. Estas pruebas periódicas están diseñadas para prevenir el costo del trabajo desperdiciado en caso de daños al producto. Los costos de instalación del cable y del aislamiento térmico son mucho mayores que el del cable calefactor mismo. La identificación rápida de cualquier daño al cable calefactor es el enfoque más económico de una instalación. Se recomienda realizar una prueba de resistencia de aislamiento en los siguientes puntos del proceso de instalación:

- AL RECIBIR el cable calefactor
- ANTES de la instalación del AISLAMIENTO térmico
- INMEDIATAMENTE DESPUÉS de la instalación del aislamiento térmico
- Como parte del programa de MANTENIMIENTO PERIÓDICO

Procedimiento

La prueba de resistencia de aislamiento se utiliza para verificar si se han dañado las envolturas extruidas. Las conexiones para el megóhmetro se hacen como se muestra en las Figuras 18 y 19.

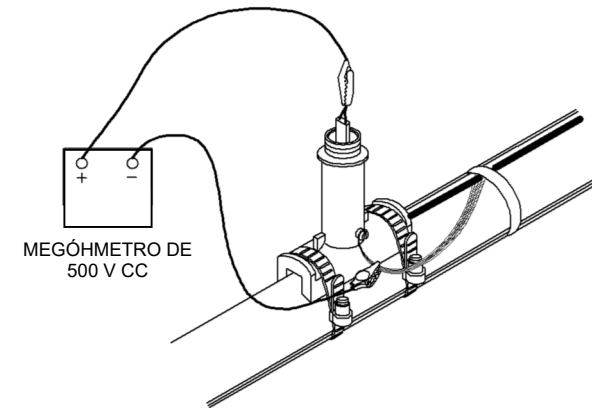


Figura 18

PARA CABLES CALEFACTORES CON TRENZA

Prueba entre el bus de alimentación del cable calefactor y la trenza

Nota: La prueba debe hacerse con un megóhmetro de 500 V CC como mínimo. No utilice un megóhmetro que aplique más de 2500 V CC. Las lecturas aceptables mínimas deben ser de 20 megohms por circuito, cualquiera sea la longitud.

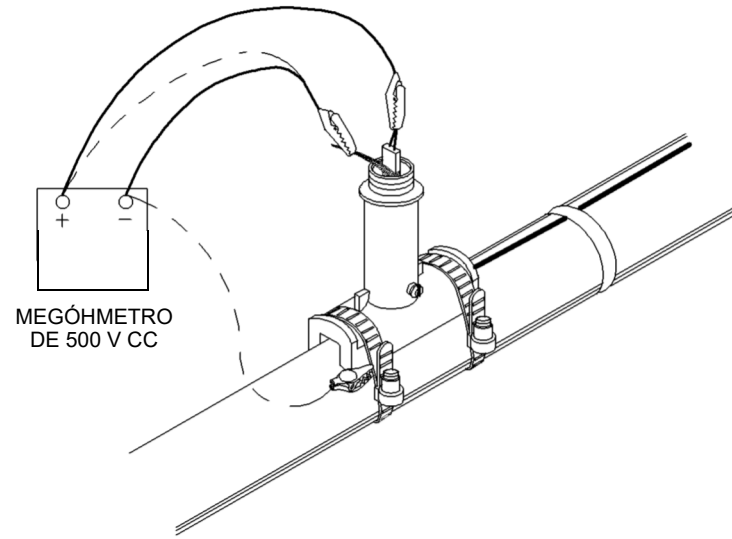


Figura 19

PARA CABLES CALEFACTORES CON TRENZA Y ENVOLTURA EXTERIOR

Prueba A (*líneas llenas*): de los conductores del bus de alimentación del cable calefactor a la trenza.

Prueba B (*líneas de trazos*): de la trenza a la tubería metálica.

Debe llevarse un registro de las lecturas tomadas desde el momento en que se instala el cable en la tubería por primera vez. Un historial de las lecturas de la resistencia de aislamiento puede ser útil para descubrir el ingreso de humedad en el sistema eléctrico (si se detecta una declinación gradual de la resistencia de aislamiento) o un daño físico al cable calefactor (declinación abrupta de la resistencia de aislamiento). Un ejemplo de registro para esto se muestra en la *Figura 20* (vea la página siguiente).

REGISTRO DE INSPECCIONES PERIÓDICAS DE BRISKHEAT

Número de circuito
Tipo de calefactor
Longitud del circuito

Circuitos de protección contra la congelación:

Realice estas verificaciones según los criterios de uso de la temporada.

Circuitos de mantenimiento de la temperatura:

Realice estas verificaciones al menos dos veces por año.

Verificaciones de mantenimiento para _____ Mes _____ Año _____							
Inspección visual dentro de la caja de conexiones - corrosión, humedad, etc.	Inicial						
	Fecha						
Daños o fisuras (fugas) en sellos de aislamiento en válvulas, soportes colgantes, bombas, etc.	Inicial						
	Fecha						
Cable calefactor correctamente conectado y puesto a tierra. Cable calefactor y conexiones aisladas de la caja de conexiones.	Inicial						
	Fecha						
Termostato revisado en cuanto a humedad, corrosión, punto de control, operación de interruptor y daño del capilar.	Punto de control						
	Inicial						
Pruebas de megóhmetro realizadas en la conexión de alimentación con ambos conductores del bus de alimentación desconectados del conector de alimentación.	Lectura						
	Inicial						
Tensión del circuito (V) en la conexión de alimentación	Inicial						
	Fecha						
Corriente del circuito (A) después de 5 minutos	Inicial						
	Fecha						
Temperatura de la tubería en el momento en que se midió la corriente	Inicial						
	Fecha						
watts/pie $V \times A = w/pie.$	Inicial						
	Fecha						
Todas las conexiones, cajas y termostatos se han vuelto a sellar.	Inicial						
	Date						
Sellos extremos, empalmes cubiertos y conexiones T marcadas en el revestimiento aislante	Inicial						
	Fecha						
Remarks & Comments							

Figure 20
Periodic Inspection Record Form

El Formulario de registro de inspecciones periódicas puede usarse de dos maneras:

- Una hoja por circuito: los resultados de las pruebas periódicas de un circuito individual se introducen en las columnas verticales, comenzando por la izquierda y avanzando hacia la derecha. Esto permite comparar fácilmente los valores de prueba de hasta siete secuencias de prueba de un circuito individual.
- Un circuito por columna: pueden registrarse los datos de prueba de una secuencia de pruebas individual de hasta siete circuitos en una sola hoja.

FORMULARIO DE REGISTRO DE INSPECCIONES PERIÓDICAS

PUESTA EN MARCHA

Tiempo de calentamiento

La velocidad de calentamiento (es decir, la capacidad de calentar la tubería y su contenido rápidamente) normalmente no se contempla en el diseño del sistema. En las puestas en marcha en frío se debe dejar transcurrir un tiempo adecuado para que la tubería llegue a la temperatura prevista.

Factor de diversidad

Si la capacidad del suministro eléctrico es limitada, puede utilizarse un factor de diversidad en una situación de arranque en frío (es decir, en un intento de arranque de todo el sistema cuando el clima es muy frío). Esto se logra mediante el escalonamiento del encendido inicial de los circuitos de cable calefactor, para que las corrientes de irrupción se produzcan de manera secuencial en lugar de todas a la vez.

OPERACIÓN Y MANTENIMIENTO

Diseño, instalación y documentación del sistema

El sistema de cable calefactor debe estar correctamente diseñado, instalado y documentado. Esta documentación debe incluir al menos las listas de líneas y la documentación de identificación de ubicaciones. Los planos de instalación 'conforme a obra' proporcionan la herramienta óptima para el mantenimiento. Los registros de pruebas también deben considerarse como parte de los requisitos de documentación del sistema. Vea la Figura 20 y 21.

Mantenimiento preventivo

Se necesita un programa de mantenimiento preventivo, que abarque las inspecciones visuales y eléctricas del sistema. Estas deben realizarse no solo antes de la operación inicial del sistema, sino también de manera programada. Las inspecciones deben hacerse también después de haber realizado cualquier tarea de mantenimiento.

Inspecciones visuales

- Aislamiento térmico: revise la impermeabilización para ver si hay daños, sellos faltantes, fisuras o espacios de aire en los recubrimientos de mástique y masilla de calafateo, o envuelta termoaislante dañada o faltante. Cuando efectivamente exista daño, se deberá reparar o reemplazar el aislamiento, y luego volver a sellarlo. **EL AISLAMIENTO HÚMEDO TIENE PROPIEDADES AISLANTES DEFICIENTES. EN CONSECUENCIA, EL AISLAMIENTO DEBE MANTENERSE SECO.** Si se ha dañado el aislamiento, revise el cable calefactor para ver si también se ha dañado; en ese caso, reemplace la sección dañada.
- Inspeccione las cajas de conexiones y termostatos en busca de corrosión, humedad o materiales extraños.
- Compruebe la firmeza de las conexiones eléctricas, el aislamiento eléctrico correcto de los conductores de los cables calefactores, la adecuación del sello antihumedad en las conexiones eléctricas, y que un mínimo de una (1) pulgada de calefactor eléctricamente aislado se extienda por encima de la conexión a tierra. No debe haber filamentos de la trenza de conexión a tierra que se extiendan encima de esta conexión.
- Revise todos los termostatos y los cables de conexión de capilares de sensores para verificar que estén sujetos y protegidos contra daños físicos.
- Verifique que las cubiertas de todos los gabinetes, cajas de conexiones, etc. estén correctamente cerradas, y que el termostato conecte y desconecte midiendo la corriente en el circuito cuando la unidad se activa. Después de finalizada la prueba, regrese la perilla al valor de temperatura correcto.

Frecuencia

Deben hacerse inspecciones en los sistemas de protección contra la congelación antes del comienzo de la temporada de bajas temperaturas. Los sistemas de mantenimiento de procesos deben inspeccionarse con frecuencia, al menos dos veces por año.

Capacitación del personal

El mantenimiento del sistema debe estar a cargo de personal de mantenimiento calificado. Se recomienda realizar programas de capacitación periódicos para ayudar a mantener al personal de mantenimiento actualizado en cuanto a equipos y procedimientos.

Mantenimiento

Los cables calefactores no requieren ningún mantenimiento. Los controles de temperatura mecánicos deben rociarse con un repelente de la humedad/ inhibidor de la corrosión una vez por año, en todas las piezas metálicas.

Reparaciones de tuberías

Abra la conexión eléctrica del cable calefactor y protéjalo contra daños mecánicos y térmicos durante la reparación. Después de las reparaciones, revise la instalación del cable calefactor según los procedimientos establecidos. Reemplace y aplique un cierre hidráulico al sistema de aislamiento térmico.

PRODUCTOS DAÑADOS

No intente la reparación de un cable calefactor dañado; reemplace la sección en su totalidad. Las corrientes de falla a menudo destruyen la interfaz entre el conductor del bus de alimentación y el material del núcleo, entre la porción dañada y el extremo de suministro de tensión del circuito.

Reemplace de inmediato el cable calefactor dañado. La migración de humedad a la sección sana del cable calefactor puede causar un cortocircuito en ese cable después de haber reparado la sección dañada.

Todo producto expuesto al fuego o llama debe retirarse de servicio de inmediato, y reemplazarse. Si se energiza, podría haber más riesgo de incendio.

GUÍA DE LOCALIZACIÓN DE FALLAS

SÍNTOMAS	CAUSA PROBABLE	CORRECCIÓN
A. El interruptor automático se dispara (tipo estándar)	<ol style="list-style-type: none"> 1. Calibre insuficiente del interruptor automático. 2. Circuito sobredimensionado. 3. Puesta en marcha a temperature demasiado baja. 4. Interruptor automático defectuoso. 5. Conexión y/o empalmes posiblemente en corto. 6. Daño físico al cable calefactor, que puede causar un cortocircuito. 7. Cables conectados en el sello extremo. 	<ol style="list-style-type: none"> 1, 2, 3. Vuelva a establecer los valores que tendrán las cargas de corriente y redimensione los interruptores automáticos.* 4. Reemplace el interruptor automático. 5, 6. Localice y repare los empalmes y conexiones incorrectas, o las secciones dañadas del cable calefactor. ** Use el megóhmetro según las instrucciones de instalación. 7. Desconecte los conductores y realice una verificación de corriente para ver si hay otros daños.
B. El interruptor automático se dispara (tipo de fugas a tierra)	<ol style="list-style-type: none"> 1. Toda la Sección A. 2. Humedad excesiva en cajas de conexión o empalmes. 3. Melladura o corte en el calefactor, o cable de alimentación con presencia de humedad. 	<ol style="list-style-type: none"> 1. Toda la Sección A. 2. Seque y vuelva a sellar las conexiones y los empalmes. Aplique el megóhmetro según las Instrucciones de instalación (20 megohms mín.). Vaya primero a las conexiones que están fuera del aislamiento térmico, y avance hacia las conexiones y sellos de aislamiento inferiores después de haber eliminado las otras. 3. Localice y repare o reemplace el cable calefactor o cable de alimentación dañado.**

* Haga una inspección para ver si el dimensionamiento del cable de alimentación existente es compatible con interruptores automáticos de mayor calibre.

** Para localizar problemas de cortocircuito, siga estos pasos:

1. Inspeccione visualmente las conexiones y empalmes de alimentación que están fuera del aislamiento térmico, para ver si la instalación es correcta.
2. Revise la zona cercana a las válvulas y bombas, así como toda área en la que se pueda haber hecho trabajos de mantenimiento, en busca de indicaciones visuales de daños.
3. Investigue si hay envuelta aislante aplastada o dañada a lo largo de la tubería.
4. Inspeccione los empalmes del cable calefactor, debajo del aislamiento térmico.
5. Si no ha localizado el problema hasta este punto, deberá separar una sección del cable calefactor por vez hasta determinar el área general de daños. Primero, separe las secciones desconectando las conexiones T o empalmes; luego quite el aislamiento de esa área hasta encontrar el daño específico. Para tramos largos de cable, puede que se necesite cortar el cable por la mitad para separar la sección en cortocircuito.

SÍNTOMAS	CAUSA PROBABLE	CORRECCIÓN
C. La potencia de salida es cero o menor de la nominal.***	<ol style="list-style-type: none"> Tensión de entrada baja o cero. El circuito es más corto de lo que indica el diseño. <ol style="list-style-type: none"> Splices or tees may not have been connected. Heating cable may have been severed. Una compresión incorrecta hace que una conexión tenga alta resistencia. El termostato de control está conectado en la posición normalmente abierta. La tubería está a una temperatura elevada. El cable calefactor ha estado expuesto a una humedad excesiva. El cable calefactor ha estado expuesto a temperaturas excesivas. 	<ol style="list-style-type: none"> Repáre las líneas y equipos de alimentación eléctrica. Revise el encaminamiento y la longitud del cable calefactor (use los planos 'conforme a obra'), y recalculé los requisitos de alimentación. <ol style="list-style-type: none"> Conecte y vuelva a verificar la alimentación. Localice y repare el cable calefactor dañado. Vuelva a inspeccionar la alimentación Vuelva a hacer las conexiones de compresión con el procedimiento correcto. Vuelva a conectar en la posición normalmente cerrada. Verifique la temperatura de la tubería y recalculé la potencia de salida.*** 7. Reemplace el cable calefactor.
D. La potencia de salida parece correcta, pero las temperaturas de tubería están por debajo del valor de diseño.	<ol style="list-style-type: none"> El aislamiento está húmedo. Se utilizó cable calefactor insuficiente en las válvulas, soportes y otros disipadores de calor. El termostato se ajustó incorrectamente. Existen inconsistencias en el diseño térmico. 	<ol style="list-style-type: none"> Retire el aislamiento y reemplácelo por aislamiento seco. Asegure una impermeabilización adecuada. Empalme el cable calefactor adicional, pero no sobrepase la longitud máxima del circuito. Realice la reposición del termostato. Verifique las condiciones de diseño con los representantes locales o de la fábrica. Modifique según las recomendaciones.

*** La potencia de salida de los cables calefactores de menor resistencia es sensible a la temperatura, y requiere un procedimiento especial para determinar su valor.

- Compruebe la temperatura de la tubería debajo del aislamiento térmico.
- Deje transcurrir 10 minutos hasta que el cable calefactor se estabilice, y luego mida la corriente.
- Calcule la potencia (watts/pie) del cable calefactor. Para ello, multiplique la corriente por la tensión de entrada y divida por la longitud real del circuito.

$$\frac{I \times V}{Ft.} = \frac{Watts}{Ft.}$$

- Compare este valor medido con el de las curvas de potencia de salida para el cable calefactor a la temperatura de tubería medida. Si la potencia de salida real del cable calefactor fuera sustancialmente menor que el valor teórico, esto significa que la interfaz entre el cable del bus de alimentación y el núcleo se ha dañado por la corriente de falla, por lo que se debe reemplazar el cable. Este no es un método de análisis de alta exactitud, por lo que debe usarse el criterio al comparar los valores teóricos y los reales.

REGISTRO DE INSTALACIÓN DE LA APLICACIÓN DE CALOR

- N.º de circuito _____
- Documentación de recepción Fecha _____

	DESEÑO	REAL
Elemento	_____	_____
A. Tipo de cable	_____	_____
B. Longitud del cable	_____	_____
- Pruebas de recepción Fecha _____

A. Inspección para ver si hay daños físicos	OK _____ Daños _____
B. Prueba de continuidad	
Verifique que exista continuidad entre los cables de conexión de alimentación.	
C. Medición con megóhmetro entre cables de conexión y funda, tensión mín. 500 V CC, tensión recomendada 2500 V CC, valor mín. 20 megohms.	OK _____ Abierto _____
D. N.º de lote	Megohms _____
- Pruebas post-instalación Fecha _____

A. Prueba de continuidad	OK _____ Abierto _____
Verifique que exista continuidad entre los cables de conexión fríos.	
B. Medición con megóhmetro entre cables de conexión y funda, tensión mín. 500 V CC, tensión recomendada 2500 V CC, valor mín. 20 megohms.	Megohms _____
C. Revise visualmente la instalación del cable en cuanto a aislamiento térmico, antes de la aprobación.	Inspección visual - OK _____
- Pruebas finales y puesta en marcha Fecha _____

A. Circuito aprobado por el cliente para las pruebas.	Aprobado _____
B. Medición con megóhmetro entre cables de conexión y funda, tensión mín. 500 V CC, tensión recomendada 2500 V CC, valor mín. 20 megohms.	Megohms _____
C. Pruebas con el circuito energizado (todos los datos de prueba deben estar dentro del 10% de los datos de diseño)	
1. Tensión del circuito	_____
2. Corriente inicial	_____
3. Corriente después de 15 minutos de operación	_____
4. Corriente después de 30 minutos de operación	_____
5. Temperatura de la tubería	_____
6. Aceptación del circuito	_____

Este circuito ha sido probado y documentado de acuerdo con los datos enumerados anteriormente. Circuito aprobado por:

Contratista _____ Fecha _____

El **Registro de instalación de la aplicación de calor** puede utilizarse para monitorear la instalación inicial e inspeccionar el proceso. Este formulario puede utilizarse en conjunto con el de **Registro de inspecciones periódicas** que se muestra en la *Figura 20*.

Figura 21

NOTA**INFORMACIÓN DE GARANTÍA**

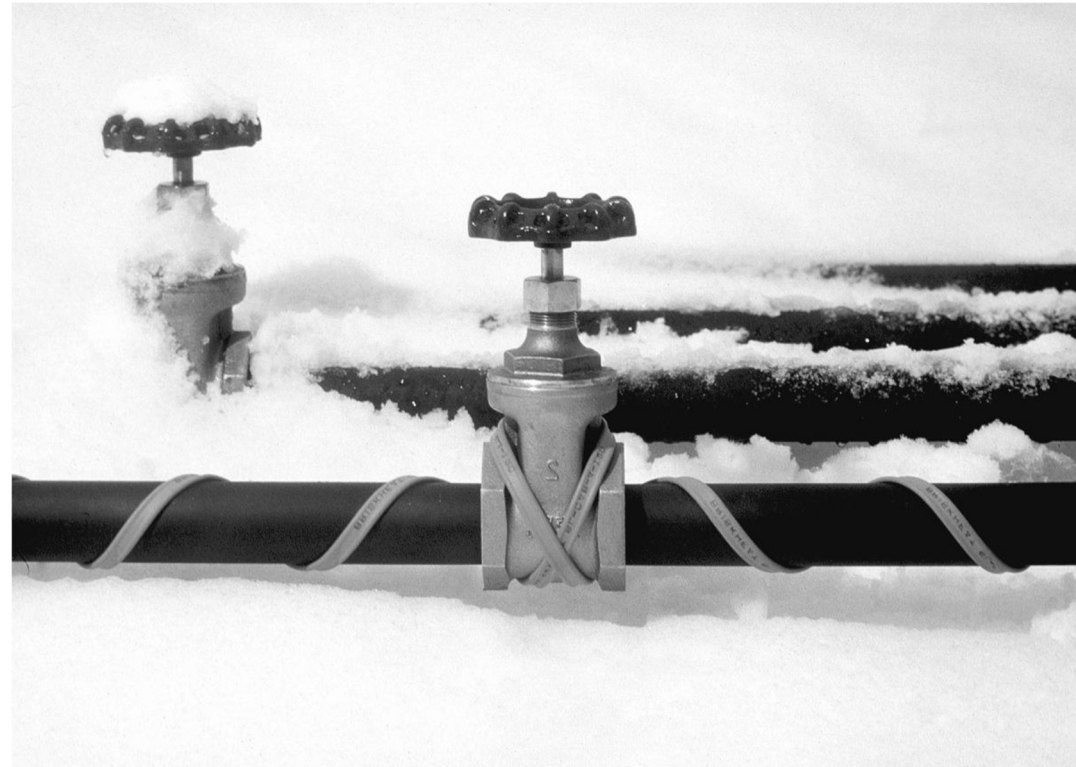
Briskheat garantiza al comprador original de este producto por el período de diez y ocho (18) meses desde la fecha del envío o doce (12) meses desde la fecha de la instalación, la que ocurra primero. La obligación de BriskHeat y el recurso exclusivo según esta garantía se limitará a la reparación o el reemplazo, a opción de BriskHeat, de toda pieza del producto en la que, en condiciones prescritas de uso y servicio y luego del examen de BriskHeat, se determine por parte de BriskHeat que es defectuosa. Los detalles completos de la garantía pueden encontrarse en línea en www.briskheat.com, o comunicándose con nosotros al 1-800-848-7673 (línea sin cargo en EE. UU. y Canadá) o al 1-614-294-3376 (en todo el mundo).



Sede corporativa:
4800 Hilton Corporate Dr.
Columbus, OH 43232, EE. UU.

Europa:
P.O. Box 420124
44275 Dortmund, Alemania

Número gratuito: 800-848-7673
Teléfono: 614-294-3376
Fax: 614-294-3807
Correo electrónico: bhtsales1@briskheat.com



Câble chauffant autorégulant

Installation et entretien

Manuel d'instructions

CONSERVEZ CES INSTRUCTIONS!

Des copies supplémentaires de ce manuel sont disponibles sur demande.



Veuillez lire et comprendre ce mode d'emploi avant d'utiliser ou de faire l'entretien de ce produit. Le non-respect de ces instructions risque d'entraîner un accident pouvant causer des blessures graves, voire mortelles.

Gardez ces instructions à titre de référence.

TABLE DES MATIÈRES

IMPORTANTES INSTRUCTIONS DE SÉCURITÉ.....	67
UTILISATION PRÉVUE DES PIÈCES.....	68
MATRICE DE RÉFÉRENCE DE PIÈCE.....	68
SPÉCIFICATIONS TECHNIQUES.....	69
INFORMATIONS GÉNÉRALES.....	70
Fonctionnement Des Systèmes De Chauffe.....	70
SÉLECTION DES PRODUITS.....	70
RÉCEPTION ET ENTREPOSAGE.....	70
Réception.....	70
Entreposage.....	70
INSTALLATION.....	70
Planification.....	71
Contrôle Avant L'installation.....	71
Manutention Du Chauffage.....	71
Emplacement Du Câble Chauffant.....	71
Pose Droite.....	71
Positionnement En Spirale.....	72
Fixation.....	72
Coupe Du Câble Chauffant.....	72
Détails D'installation.....	72
COMPOSANTS DU SYSTÈME.....	75
Compatibilité Des Composants Du Système.....	76
Connexion Slcbl / Kits De Terminaison.....	77
Connexion Slmcb, Slhcb / Kits De Terminaison.....	78
Connexion Slcab Approuvée Fm / Kit De Terminaison.....	79
Connexion Slmab Approuvée Fm / Kit De Terminaison.....	79
Connexion Slcab Et Slmcb Approuvée Csa / Kit De Terminaison.....	80
ISOLATION THERMIQUE.....	81
Contrôles Avant L'installation.....	81
Installation.....	81
Marquage.....	81
THERMOSTATS ET CAPTEURS.....	81
BESOINS ÉLECTRIQUES.....	81
Spécification De Tension.....	81
Alimentation Électrique.....	82
Protection Contre Défaut De Terre.....	88
Étanchéité.....	88
TEST.....	88
Recommandations.....	88
Procédure.....	88
DÉMARRAGE.....	91
Durée De Préchauffage.....	91
Facteur De Diversité.....	91
UTILISATION ET ENTRETIEN.....	91
Conception De Système, Installation Et Documentation.....	91
Entretien Préventif.....	91
Inspections Visuelles.....	91
Fréquence.....	91
Formation Du Personnel.....	91
Entretien.....	91
Réparations De Tuyauterie.....	91
PRODUITS ENDOMMAGÉS.....	92
GUIDE DE DÉPANNAGE.....	92
INFORMATIONS DE GARANTIE.....	96

IMPORTANTES INFORMATIONS DE SÉCURITÉ



SYMBOLE D'ALERTE DE SÉCURITÉ

Le symbole ci-dessus est utilisé pour attirer votre attention sur des instructions concernant votre sécurité personnelle. Il signale des précautions importantes pour la sécurité. Il signifie FAITES ATTENTION. Restez sur vos gardes! Votre sécurité personnelle est en jeu! Lisez le message qui le suit et soyez averti de la possibilité d'une blessure pouvant même être mortelle.

DANGER

Une personne qui n'a pas lu et assimilé toutes les instructions d'utilisation n'est pas qualifiée pour faire fonctionner ce produit.

DANGER

- N'immergez pas la bande chauffante dans un liquide.
- Gardez les matières combustibles ou volatiles à distance du chauffe-ballon pendant son utilisation.
- N'utilisez le produit que dans des endroits approuvés.
- Gardez les objets métalliques tranchants à l'écart du produit.

La non-observation des ces mises en garde peut causer une commotion électrique, un départ d'incendie ou une blessure corporelle.

ATTENTION

- Ne manipulez jamais le câble chauffant quand il est en fonctionnement. Débranchez-le toujours de sa source d'alimentation et laissez-le refroidir avant de le toucher.
- Inspectez le produit et les kits de connexion avant leur utilisation.
- Si un déversement de matière se produit sur ces éléments chauffants, débranchez-les de leur source d'alimentation et nettoyez-les après leur refroidissement.
- Ne faites jamais fonctionner un câble chauffant sans un absorbeur thermique (le dispositif devant être chauffé est considéré comme tel).
- Ne faites pas fonctionner le produit au-delà de la température spécifiée.
- Fixez le câble sur l'équipement à chauffer en n'utilisant que des méthodes approuvées.
- N'essayez pas de réparer des câbles chauffants endommagés ou présentant un dysfonctionnement.
- N'écrasez pas et n'appliquez pas de contrainte physique sévère du câble chauffant ou à son cordon.
- Débranchez le produit quand il n'est pas en utilisation.

Failure to observe these warnings may result in personal injury or damage to the product and/or property.

DANGER

Risques immédiats qui VONT ENTRAÎNER une blessure grave pouvant être mortelle

AVERTISSEMENT

Risques ou pratiques dangereuses qui POURRAIENT ENTRAÎNER une blessure grave pouvant être mortelle.

ATTENTION

Risques ou pratiques dangereuses qui POURRAIENT ENTRAÎNER une blessure légère ou des dégâts matériels.

AVERTISSEMENT

L'utilisateur final doit respecter les points suivants :

- Seulement du personnel qualifié a le droit d'effectuer le câblage électrique.
- Désactivez tous les circuits d'alimentation avant toute intervention d'installation ou de service.
- Gardez les extrémités du câble chauffant et les composants du kit secs avant et pendant l'installation.
- La couche conductrice de ce composant chauffant doit être connectée à une borne de terre convenable.
- L'installation doit se faire en conformité avec la Partie 1 de la norme électrique Canadienne ou avec la norme électrique Américaine suivant le lieu.
- Tout le câblage électrique doit se conformer aux norms électriques locales.
- La personne qui réalise l'installation / le câblage final doit être qualifié pour cette tâche.
- L'utilisateur final est responsable de la fourniture d'un dispositif de coupure d'alimentation électrique adéquat.
- L'utilisateur final est responsable de la fourniture d'un dispositif de protection électrique adéquat. Il est fortement recommandé d'utiliser un disjoncteur différentiel.

La non-observation des ces mises en garde peut causer une commotion électrique, un départ d'incendie ou une blessure corporelle.

UTILISATION PRÉVUE DES PIÈCES

Les normes suivantes doivent s'appliquer pour des installations aux USA :

- IEEE 515.1 Installation Type A, Surfaces isolées (incluant les tuyaux)
- IEEE 515.1 Installation Type B, Dégivrage de toits et gouttières
- IEEE 515.1 Installation Type C, Fonte de neige par incrustation

MATRICE DE RÉFÉRENCE DE PIÈCE

SLCBL	X	YYY	B	Z			
SLMCBL					ENVELOPPE EXTÉRIEURE P = Thermoplastique; F = Fluoropolymère		
SLHCBL						TRESSE EN CUIVRE ÉTAMÉ TENSION D'ALIMENTATION 120=110-120V CA; 240=220-277 V CA	
SLCAB							PUISANCE DE SORTIE À 10° C Pour SLCBL: 3=3W/pied; 5=5W/pied; 8=8W/pied; 10=10W/pied; 12=12W/pied; Pour SLMCBL: 5=5W/pied; 10=10W/pied; 15=15W/pied; 20=20W/pied; Pour SLHCBL: 5=5W/pied; 10=10W/pied; 15=15W/pied; 20=20W/pied; Pour SLCAB: 3=3W/pied; 5=5W/pied; 8=8W/pied; 10=10W/pied; Pour SLMCAB: 5=5W/pied; 10=10W/pied; 15=15W/pied; Pour SLHCAB: 5=5W/pied; 10=10W/pied; 15=15W/pied; 20=20W/pied; 25=25W/pied; 30=30W/ft;
SLMCAB							
SLHCAB							

SPÉCIFICATIONS TECHNIQUES

Classe de protection: IP65

N° de pièce		Puissance (W/Pied)	Tension	Température maximale d'exposition intermittente	Température maximale d'exposition en continu
SLCBL	3240	3	208V-277V	85°C	65°C
	5240	5	208V-277V	85°C	65°C
	8240	8	208V-277V	85°C	65°C
	10240	10	208V-277V	85°C	65°C
	12240	12	208V-277V	85°C	65°C
	3120	3	110V-120V	85°C	65°C
	5120	5	110V-120V	85°C	65°C
	8120	8	110V-120V	85°C	65°C
	10120	10	110V-120V	85°C	65°C
	12120	12	110V-120V	85°C	65°C
SLMCBL	5240	5	208V-277V	135°C	110°C
	10240	10	208V-277V	135°C	110°C
	15240	15	208V-277V	135°C	110°C
	20240	20	208V-277V	135°C	110°C
	5120	5	110V-120V	135°C	110°C
	10120	10	110V-120V	135°C	110°C
	15120	15	110V-120V	135°C	110°C
	20120	20	110V-120V	135°C	110°C
SCHCBL	5240	5	208V-277V	200°C	120°C
	10240	10	208V-277V	200°C	120°C
	15240	15	208V-277V	200°C	120°C
	20240	20	208V-277V	200°C	120°C
	5120	5	110V-120V	200°C	120°C
	10120	10	110V-120V	200°C	120°C
	15120	15	110V-120V	200°C	120°C
	20120	20	110V-120V	200°C	120°C
SLCAB	3240	3	208V-277V	85°C	66°C
	5240	5	208V-277V	85°C	66°C
	8240	8	208V-277V	85°C	66°C
	10240	10	208V-277V	85°C	66°C
	3120	3	110V-120V	85°C	66°C
	5120	5	110V-120V	85°C	66°C
	8120	8	110V-120V	85°C	66°C
10120	10	110V-120V	85°C	66°C	
SLMCAB	3240	3	208V-277V	185°C	121°C
	5240	5	208V-277V	185°C	121°C
	8240	8	208V-277V	185°C	121°C
	10240	10	208V-277V	185°C	121°C
	3120	3	110V-120V	185°C	121°C
	5120	5	110V-120V	185°C	121°C
	8120	8	110V-120V	185°C	121°C
	10120	10	110V-120V	185°C	121°C
SLHCAB	5240	5	208V-277V	185°C	121°C
	10240	10	208V-277V	185°C	121°C
	15240	15	208V-277V	185°C	121°C
	20240	20	208V-277V	185°C	121°C
	25240	25	110V-120V	185°C	121°C
	30240	30	110V-120V	185°C	121°C
	5120	5	110V-120V	185°C	121°C
	10120	10	110V-120V	185°C	121°C
	15120	15	110V-120V	232°C	190°C
	20120	20	110V-120V	232°C	190°C
	25120	25	110V-120V	232°C	190°C
30120	30	110V-120V	232°C	190°C	

INFORMATIONS GÉNÉRALES

Ce manuel est conçu pour s'utiliser avec des produits de chauffage de BriskHeat autorégulants. Pour des applications non spécifiquement couvertes, veuillez contacter votre représentant local.

Fonctionnement des systèmes de chauffe

Un système à câble chauffant autorégulant utilise ce câble pour compenser la déperdition thermique au travers de l'isolation du système. Cela permet que la tuyauterie et le produit qu'elle transporte soient maintenus à une température constante. Ainsi, l'eau ne gèlera pas en faisant éclater un tuyau, ou un autre liquide et ne se coagulera pas en bouchant le tuyau. Des systèmes élémentaires peuvent activer tout le système avec un même contacteur ou interrupteur, tandis que d'autres utilisent un thermostat avec chacun des câbles chauffants pour contrôler leur température.

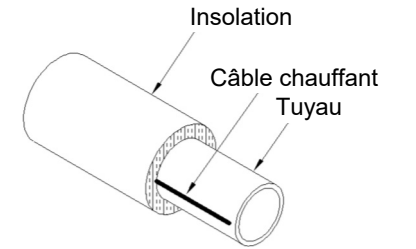


Figure 1

SÉLECTION DES PRODUITS

Consultez l'usine BriskHeat pour le choix des produits et un support technique sur l'application.

RÉCEPTION ET ENTREPOSAGE

Réception

- Comparez la livraison avec le bordereau d'expédition pour vérifier que vous avez bien reçu le bon matériel.
- Inspectez les câbles chauffants et les composants pour déceler d'éventuels dommages dus au transport. Des tests de résistance de l'isolation sur chaque bobine de câble sont recommandés.
- Si des documents de conception (listes par ligne ou inventaires de matériel par circuit) existent, contrôlez ce que vous avez reçu par rapport à ces documents pour vérifier que vous avez reçu tout ce qui est nécessaire. Si de tels documents n'existent pas, établissez un inventaire de réception listant tout le matériel reçu.

Entreposage

Les câbles et les composants du système sont à garder dans un endroit propre et sec. L'équipement doit être protégé contre des dommages physiques durant l'entreposage. La température d'entreposage est de -40 à 140°F (-40 à 60 °C).

INSTALLATION

⚠ AVERTISSEMENT

Bien qu'il y ait de nombreuses façons acceptables d'installer de l'équipement de chauffage électrique de BriskHeat, certaines actions peuvent être dangereuses pour votre personnel ou vos installations. Veillez à éviter ces types de problèmes :

- Ne tordez pas les fils de bus ensemble de chaque côté du câble chauffant. Chacun de ces fils porte une tension ou un neutre qui l'alimente, en les torsadant vous risquez de créer un court-circuit.
- Isolez le polymère noir entourant les fils de bus. Le composé noir extrudé autour des fils de bus est conducteur électriquement et doit être traité comme tel.
- Toutes les connexions électriques dans le système doivent être protégées contre l'humidité. Pour éviter la création d'arcs électriques et d'un risque de départ d'incendie, toutes les connexions des câbles et les raccordements électriques doivent être scellés pour les protéger de l'humidité. Cela inclut l'utilisation de kits d'étanchéification appropriés et une vérification de la protection contre l'humidité de tous les raccordements de fils.
- N'exposez pas les câbles chauffants à des températures dépassant leur spécification maximale. Des températures plus élevées peuvent diminuer de façon significative leur durée de service.
- Remplacez immédiatement tout câble chauffant ou composant endommagé. À défaut de remplacer tous composants endommagés (câbles chauffants, pièces ou isolations thermiques), vous risquez une panne du système.
- Les zones d'activité classées (avec poussières ou gaz explosifs) nécessitent l'utilisation de composants électriques spéciaux. N'importe quelle zone contenant des gaz explosifs (comme des installations chimiques ou pétrochimiques) ou des poussières explosives (comme le traitement de charbon ou de grains) nécessitent des câbles, des composants de raccordement et de contrôle spéciaux, approuvés pour fonctionner dans de tels environnements. Une installation dans ces environnements de produits non approuvés peut entraîner départs d'incendie ou explosions.
- L'utilisation de tuyauterie en plastique nécessite des considérations particulières pour la sélection et l'installation.

Planification

L'installation du cheminement du chauffage électrique doit être coordonnée avec celle de la tuyauterie, de l'isolation électrique et de l'instrumentation. Elle ne doit commencer qu'après que la majorité de la construction mécanique ait été réalisée. Le test en pression de la tuyauterie et l'installation des instruments doivent être terminés avant de commencer la pose des câbles chauffants.

Contrôle avant l'installation

Parcourez le système de tuyauterie et planifiez le cheminement du câble chauffant. Utilisez ce contrôle pour vérifier que tout est terminé en ce qui concerne l'instrumentation et le travail mécanique. Tous les revêtements (peinture, etc.) doivent être secs avant d'entamer l'installation du câble chauffant. La température ambiante minimale pour l'installation est de 40°F (-40° C).

Manutention du chauffage

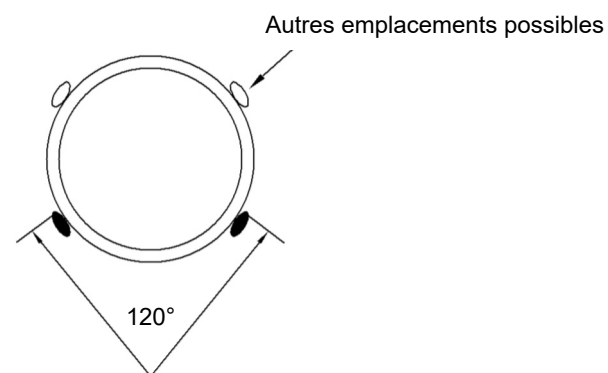
- Utilisez un dévidoir pour en tirer le câble chauffant.
- Gardez la tension du câble assez lâche, mais proche du tuyau devant être recouvert. Cela évitera une interférence avec des supports ou d'autres équipements.
- Laissez un supplément de 305-457 mm (12-18") de câble chauffant à tous les connexions d'alimentation, aux épissures en T et aux raccords d'extrémité étanches pour faciliter le travail sur ces raccords.
- PLUS DE CÂBLE CHAUFFANT EST NÉCESSAIRE SUR LES VANNES, LES SUPPORTS DE TUYAUTERIE ET LES AUTRES ÉQUIPEMENTS. Voyez la section d'installation détaillée pour les longueurs exactes et la méthode d'installation.
- Quand vous manipulez le câble chauffant, évitez de le tirer ou de le poser contre des bords tranchants.
- Ne coinciez et n'écrasez pas le câble, y compris en marchant dessus ou en roulant dessus avec un équipement.
- Ne passez pas sous un rayon de courbure de 0,5" (12 mm) à 68°F (20 +C) durant l'installation. Des températures plus fraîches augmentent le seuil minimum de ce rayon de courbure. Faites attention de ne pas aller au-delà des limites de courbure sans risques en cas d'installations par temps froid.

Emplacement du câble chauffant

Le câble chauffant peut être installé soit par dépose de tronçons droits soit par enroulement spiralé autour du tuyau. Ce dernier mode est généralement utilisé quand un nombre limité de types de câble est disponible.

Pose droite

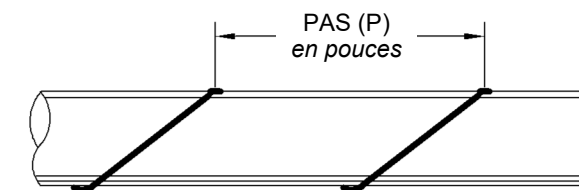
Quand ce mode de pose est adopté, installez le câble chauffant sur le quadrant inférieur du tuyau. Cela aide à éviter des dommages physiques au câble venant de chute d'objets ou de marche dessus, et favorise un transfert thermique optimal vers ce qui circule dans le tuyau.



Installez le câble chauffant en positions 4 heures ou 8 heures

Positionnement en spirale

Ce mode de pose augmente la longueur utilisée de câble chauffant par mètre de tuyau. Pour obtenir de l'assistance pour une pose en spirale, contactez l'usine de BriskHeat.



Fixation

Pour des installations normales, le câble chauffant peut être fixé avec de la bande adhésive en fibre de verre. Des attaches pour fils en plastique peuvent aussi s'utiliser dans la mesure où ce plastique supporte une température maximale au moins égale aux besoins du système. Le câble doit être étroitement appliqué contre le tuyau et être fixé à des intervalles de 305 mm (12") comme c'est montré en Figure 4.

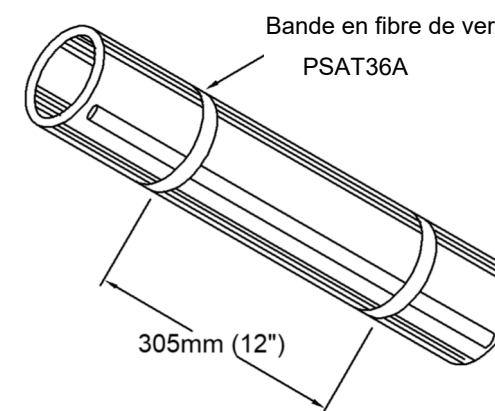


Figure 4

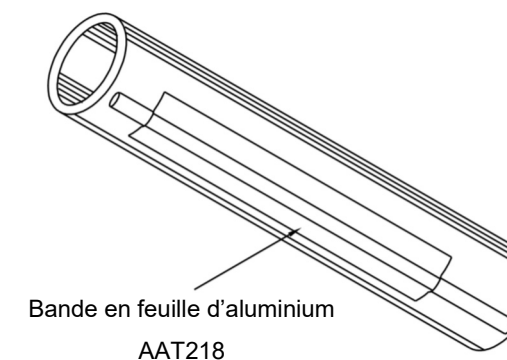


Figure 5

Remarques :

1. Pour éviter de possibles dommages au câble chauffant, ne le fixez pas avec des attaches métalliques, du fil de fer, de la bande vinyle pour électricien ou de la bande pour conduites.
2. De la bande en feuille d'aluminium n'est à utiliser que si cela a été spécifié à la conception. Ce procédé est le plus souvent utilisé sur du tuyau en plastique pour compenser l'effet isolant de ce matériau (Voir la Figure 5 ci-dessus).

Coupe du câble chauffant

Ne coupez pas le câble avant qu'il ait été fixé sur le tuyau. Confirmez les provisions pour terminaisons, connexions et puits de chaleur (vannes, supports, etc.) avant de couper le câble. L'alimentation du câble chauffant n'est pas affectée par sa coupe à la longueur. Protégez toutes les extrémités de câbles chauffants de l'humidité et des dommages mécaniques s'ils restent exposés pendant de longues périodes.

Détails d'installation

Les câbles chauffants doivent être appliqués d'une manière facilitant la dépose des vannes et des petits dispositifs en ligne sans avoir à enlever une quantité excessive d'isolant thermique ou à avoir à couper le câble chauffant. Pour cela, la meilleure façon est de prévoir une boucle de câble. La quantité de câble chauffant installé pour chaque vanne, suspension, etc. varie suivant le calibre de tuyau et le type de pièce. Pour obtenir de l'assistance pour une installation ou application, contactez l'usine de BriskHeat.

Les illustrations qui suivent montrent des détails d'installation pour différentes situations classiques :

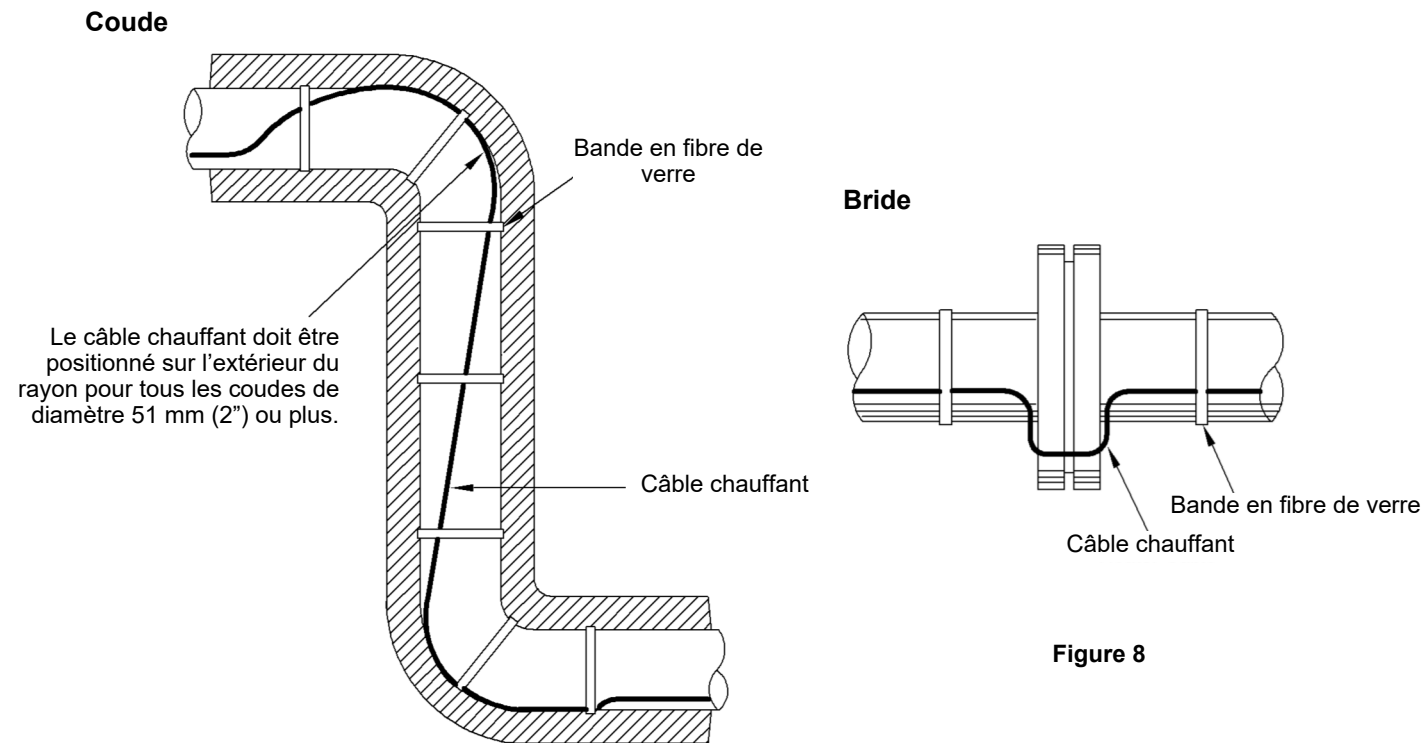
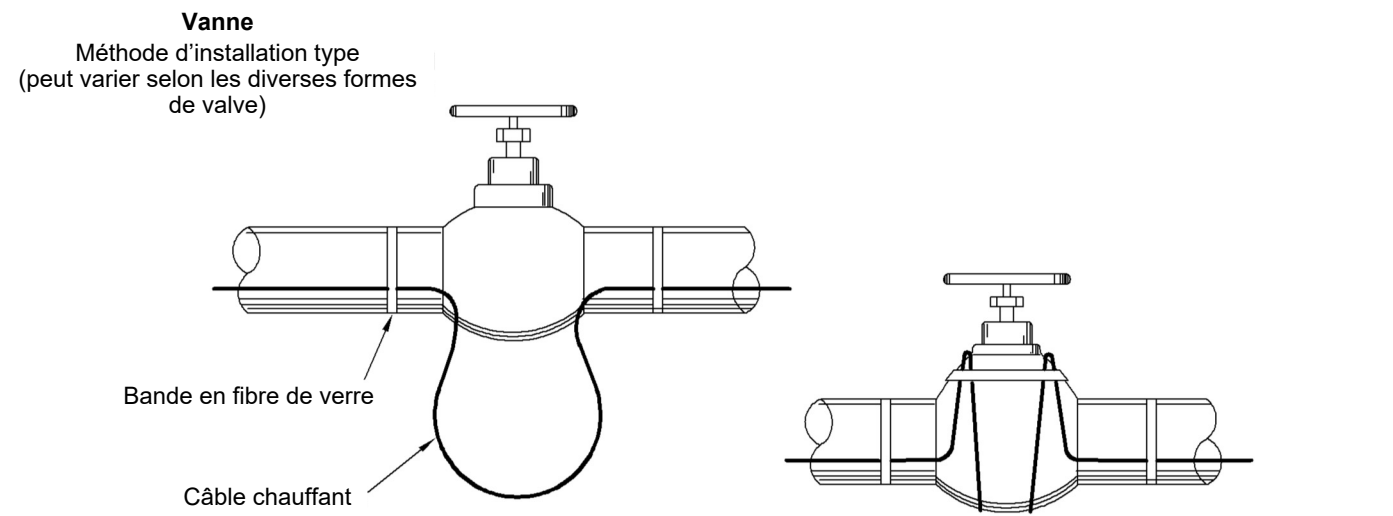


Figure 7

Figure 8

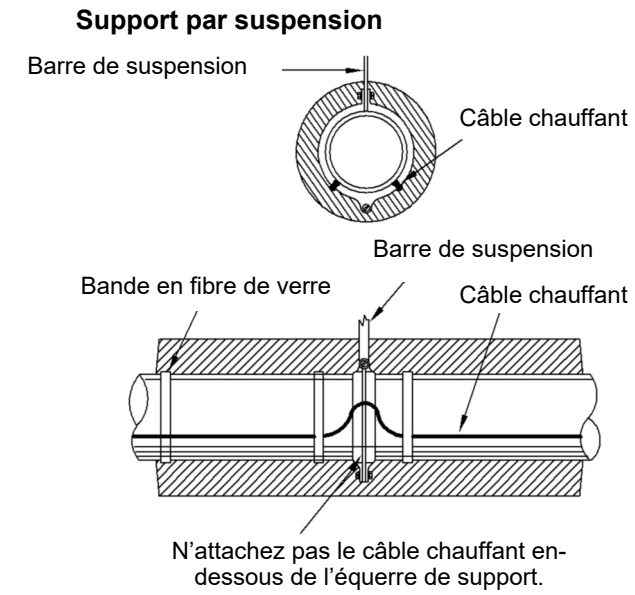


Figure 9

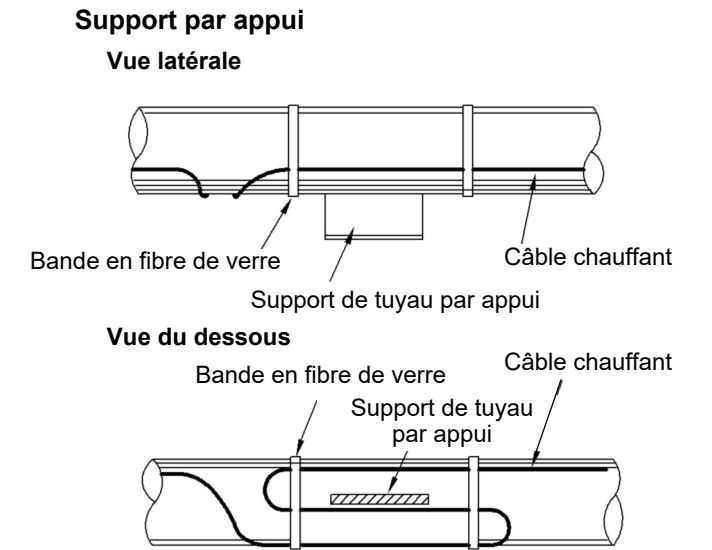


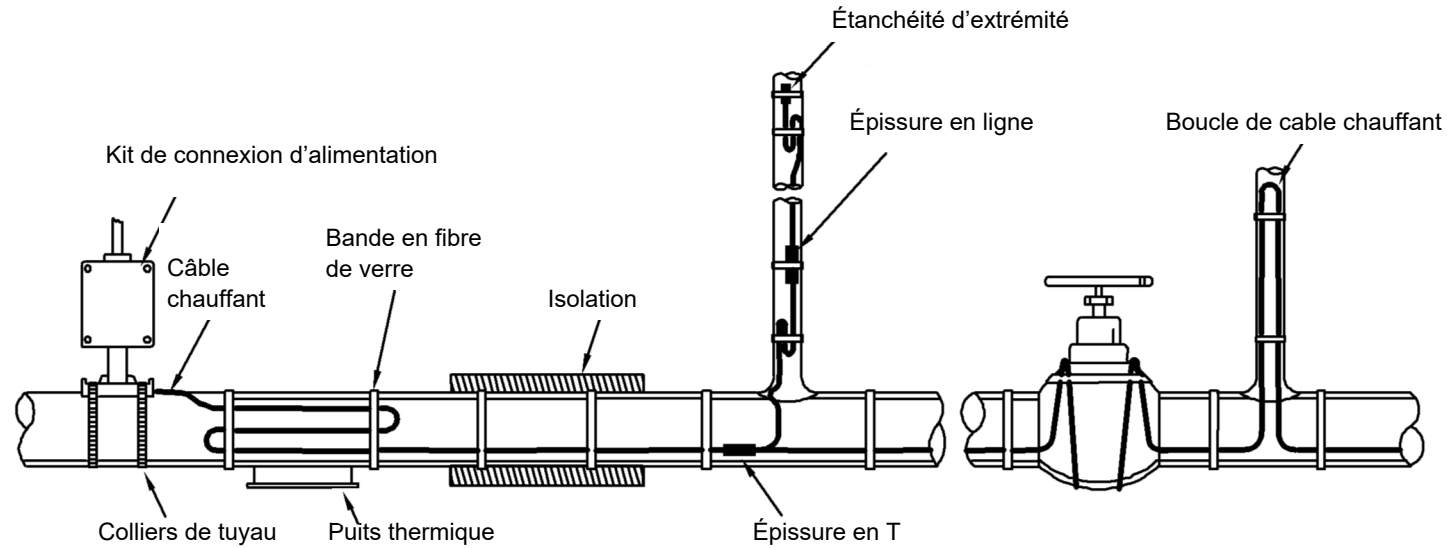
Figure 10

COMPOSANTS DU SYSTÈME

Seuls des kits approuvés de BriskHeat doivent être utilisés pour les terminaisons, connexions et épissures. A défaut les garanties seront annulées et les approbations par les agences de normes ne seront plus valides. Des instructions d'installation dans chaque kit de composants doivent être suivies en ce qui concerne la préparation et le montage du câble chauffant. Réalisez les étanchéités d'extrémités (terminaisons) et les connexions par épissure avant d'effectuer les connexions d'alimentation. Il est recommandé que tous les câbles chauffants soient étiquetés au moment de leur installation avec un numéro de circuit personnel. Cela facilitera l'identification, la détermination des composants nécessaires et le câblage électrique durant les phases ultimes de l'installation. Les kits de connexion d'alimentation utilisent une plaque adaptatrice pour montage sur des tubulures d'instrument ou des réservoirs. Des installations pour le montage sont incluses dans each kit.

⚠ AVERTISSEMENT

Connecter ensemble des fils de bus provoquerait un court-circuit électrique.



Remarque : Des connexions d'alimentation de câble chauffant et des étanchéités d'extrémité sont nécessaires pour chacun des câbles chauffants. Des épissures, tés et thermostats pour câble chauffant sont utilisés selon le besoin.

Figure 11

Compatibilité des composants du système

	SLCBL	SLMCBL	SLHCBL	SLCAB	SLMCAB	SLHCAB
SLCBLUC	Oui Emplacements ordinaires et toits et gouttières	Non	Non	Non	Non	Non
SLCBLUC-GF	Oui Emplacements ordinaires et toits et gouttières	Non	Non	Non	Non	Non
SLCBLKC	Oui Emplacements ordinaires et toits et gouttières	Non	Non	Non	Non	Non
SLCBLSK	Oui Emplacements ordinaires et toits et gouttières	Non	Non	Non	Non	Non
PTBO-GET	Oui Emplacements dangereux	Yes	Yes	Non	Non	Non
JHE-GET	Oui Emplacements dangereux	Yes	Yes	Non	Non	Non
JHS-GET	Oui Emplacements dangereux	Yes	Yes	Non	Non	Non
JHT-GET	Oui Emplacements dangereux	Yes	Yes	Non	Non	Non
SLCABUC	Non	Non	Non	Oui Emplacement ordinaires et dangereux	Non	Non
SLCABSK	Non	Non	Non	Oui Emplacement ordinaires et dangereux	Non	Non
SLCABKC	Non	Non	Non	Oui Emplacement ordinaires et dangereux	Non	Non
SLMCABUC	Non	Non	Non	Non	Oui Emplacement ordinaires et dangereux	Non
SLMCABKC	Non	Non	Non	Non	Oui Emplacement ordinaires et dangereux	Non
SLCABUC-CSA-M	Non	Non	Non	Oui Emplacement ordinaires et dangereux	Oui Emplacement ordinaires et dangereux	Non
SLCABEND-CSA-2	Non	Non	Non	Oui Emplacement ordinaires et dangereux	Oui Emplacement ordinaires et dangereux	Non
ROOFKIT	Non	Non	Non	Oui SLCAB-BP uniquement	Non	Non
ROOFENDKIT	Non	Non	Non	Oui SLCAB-BP uniquement	Non	Non
SLCABPWP-H	Non	Non	Non	Non	Non	Oui Emplacement ordinaires et dangereux
SLCABKC-H	Non	Non	Non	Non	Non	Oui Emplacement ordinaires et dangereux

Connexion SLCBL / Kits de terminaison

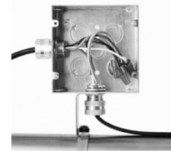
Pour une utilisation dans des emplacements ordinaires avec câble SLCBL uniquement (approuvé UL).

Pour une utilisation dans des applications de fonte de neige et dégivrage sr toits et gouttières avec câble SLCBL uniquement (approuvé UL).

Les **approbations sont valides seulement** si du câble chauffant et des accessoires appropriés sont utilisés, en étant installés en conformité avec toutes les instructions, normes et réglementations applicables.

SLCBLUC: Kit de connexion d'alimentation SLCBL

Contenu du kit:



- | | |
|---|---|
| 2 étiquettes de mise en garde sur la présence du chauffage | 3 connecteurs serre-fils |
| 2 étiquettes mettant en garde sur la fonte de neige et le dégivrage | 1 tube noir thermorétractable 1/2" x 1" (13 x 25 mm) |
| 1 support de montage de tuyau à tension | 1 tube vert/jaune thermorétractable 1/4" x 6" (6 mm x 15 cm) |
| 1 écrou de blocage | 2 tubes noirs thermorétractables 1/8" x 5-1/2" (3 mm x 14 cm) |
| 1 raccord d'étanchéité 1/2" NPT avec soulagement de traction et oeillet | 1 joint d'étanchéité |
| | 1 étanchéité d'extrémité |

Suffisant pour effectuer:

Une connexion d'entrée d'alimentation et une terminaison d'étanchéité d'extrémité.

REMARQUE : Le boîtier de raccordement et attaches de tuyau sont vendus séparément. Un boîtier de raccordement listé UL est nécessaire, convenant pour l'emplacement, avec un trou de passage pour conduit de 1/2" ou un manchon fileté 1/2" NPT. Pour du câble chauffant sans enveloppe extérieure (Type B seulement), un boîtier de raccordement métallique doit être utilisé pour assurer une bonne mise à la terre.

SLCBLUC-GF: Kit de connexion d'alimentation avec protection sur défaut de terre

Contenu du kit:



- | | |
|---|--|
| 2 étiquettes de mise en garde sur la présence du chauffage | 1 tube thermorétractable 3/4" x 8" (19 mm x 20 cm) |
| 2 étiquettes mettant en garde sur la fonte de neige et le dégivrage | 1 tube thermorétractable 3/4" x 5" (19 mm x 13 cm) |
| 1 bande de toile | 2 tubes thermorétractables 1/8" x 1" (3 x 25 mm) |
| 2 bandes au mastic | 1 tube thermorétractable 1/2" x 1" (13 x 25 mm) |
| 2 attaches de serrage | 1 tube thermorétractable 5/16" x 1-1/2" (8 x 38mm) |
| 2 cosses isolées à sertir | 1 Dispositif pour défaut de terre avec fiche 120 V broches NEMA 5-15 |
| 1 barillet non isolé à sertir | |

Suffisant pour effectuer:

Une connexion d'alimentation avec protection contre défaut de terre.

SLCBLKC: Kit SLCBL d'étanchéité d'extrémité.

Contenu du kit:



- | | |
|--|---|
| 2 capuchons thermorétractables | 2 manchons tressés de 1/2" x 4" (13 mm x 10 cm) |
| 2 tubes thermorétractables 3/4" x 5" (19 mm x 13 cm) | |

Suffisant pour effectuer:

Deux terminaisons d'étanchéité d'extrémité.

SLCBLSK: Kit SLCBL d'épissure et té

Contenu du kit:



- | | | |
|----------------------|---|--------------------------------|
| 1 attache de serrage | 1 tube noir thermorétractable 1" x 8" (25 mm x 20 cm) | 2 capuchons thermorétractables |
| 3 attaches de câble | 3 tubes noirs thermorétractables 1/2" x 1" (13 x 25 mm) | 1 tube thermorétractable |
| 1 bande de toile | 6 tubes noirs thermorétractables 1/8" x 1" (3 x 25 mm) | 1 barillet non isolé à sertir |
| 5 bandes au mastic | 2 cosses isolées à sertir | 1 étanchéité d'extrémité |

Suffisant pour effectuer:

Une connexion par épissure et une terminaison d'étanchéité d'extrémité, ou une connexion en T et une terminaison d'étanchéité d'extrémité.

REMARQUE : Ce kit ne complète pas une connexion d'entrée d'alimentation.

Connexion SLCBL, SLMCBL, SLHCBL / Kits de terminaison

Pour une utilisation dans des zones dangereuses avec câble SLCBL (BP, BF) uniquement (approuvé CSA).

Pour une utilisation dans des zones non dangereuses avec câble SLCBL, SLMCBL, SLHCBL uniquement (non approuvé CSA).



Les **approbations sont valides seulement** si du câble chauffant et des accessoires appropriés sont utilisés, en étant installés en conformité avec toutes les instructions, normes et réglementations applicables.

Emplacements dangereux (classifiés)
Classe I, Division 2, Groupes A, B, C et D
Classe II, Division 2, Groupes E, F et G
Classe III

PTBO-GET: Kit de connexion SLCBL, SLMCBL, SLHCBL avec enceinte octogonale

Contenu du kit:



- | | |
|---|---|
| 1 boîtier de raccordement octogonale avec connexions pour cosses d'alimentation | 1 raccord d'étanchéité M25x1.5 IP68 |
| 1 support de montage de tuyau à tension | 2 rondelles d'étanchéité |
| 2 colliers de tuyau | 1 bouchon étanche |
| 1 écrou de blocage | 2 tube vert/jaune thermorétractable 1/4" x 6" (6 mm x 15 cm) |
| 1 joint d'étanchéité | 2 tubes noirs thermorétractables 1/8" x 5-1/2" (3 mm x 14 cm) |

Suffisant pour effectuer:

Une connexion d'entrée d'alimentation.

JHE-GET: Kit d'étanchéité d'extrémité à profil mince SLCBL, SLMCBL, SLHCBL

Contenu du kit:



- | |
|---|
| 1 logement d'étanchéité d'extrémité |
| 1 rondelle d'étanchéité |
| 3 étanchéité d'extrémité sous pression avec vis |

Suffisant pour effectuer:

Une terminaison d'étanchéité d'extrémité de profil mince.

JHS-GET: Kit de connexion par épissure à profil mince SLCBL, SLMCBL, SLHCBL

Contenu du kit:



- | |
|---|
| 1 logement pour épissure en ligne |
| 2 joints d'étanchéité |
| 2 couvercles de logement avec vis |
| 2 rondelles d'étanchéité |
| 2 étanchéité d'extrémité sous pression avec vis |

Suffisant pour effectuer:

Une terminaison d'étanchéité par épissure de profil mince.

JHT-GET: Kit de connexion en T à profil mince SLCBL, SLMCBL, SLHCBL

Contenu du kit:


- | |
|---|
| 1 logement pour épissure en T |
| 2 joints d'étanchéité |
| 2 couvercles de logement avec vis |
| 3 rondelles d'étanchéité |
| 3 étanchéité d'extrémité sous pression avec vis |

Suffisant pour effectuer:

Une terminaison d'étanchéité en T de profil mince.


REMARQUE : Ce kit ne complète pas une connexion d'entrée d'alimentation.

Connexion de SLCAB approuvée FM / Kits de terminaison


KITS	USAGE
SLCABUC: Kit de connexion universel pour SLCAB. Approuvé FM.	
<ul style="list-style-type: none"> 1 écarteur de tuyau 3/4" (19 mm) NPT 2 cosses à anneau 4 grosses cosses à sertir isolées 2 petites cosses à sertir isolées 2 attaches pour tuyau (tuyau IPS jusqu'à 152 mm [6"]) 2 capuchons d'extrémité thermorétractables 1 manchon thermorétractable de 152 mm (6") 1 tube de mastic d'étanchéité RTV de 89 ml (3 oz.) 1 rouleau de bande en fibre de verre 1 étiquette de mise en garde 1 vis de terre 	 <p>Emplacements normaux Emplacements dangereux (classifiés) Classe I, Division 2, Groupes B, C et D Classe II, Division 2, Groupes F et G Classe III, Division 2</p>
<p>Approbations valides uniquement en cas d'utilisation avec un câble chauffant et des accessoires d'installation appropriés, et une installation en conformité avec toutes les instructions, normes et réglementations applicables.</p> <p><u>Suffisant pour effectuer:</u></p> <p>Deux terminaisons d'extrémité et une connexion d'arrivée, ou une épissure d'arrivée.</p> <p><i>REMARQUE : Nécessite un boîtier de raccordement 19 mm (3/4") NPT</i></p>	
SLCABSK: Kit SLCABSK. Approuvé FM.	
<ul style="list-style-type: none"> 20 grosses cosses à sertir jaunes 20 grosses cosses à sertir bleues 10 tubes thermorétractables 1 tube de mastic d'étanchéité RTV de 89 ml (3 oz.) 	<p><u>Suffisant pour effectuer:</u></p> <p>Dix connexions d'entrée d'alimentation, ou 10 épissures en T</p>

SLCABKC: Kit SLCAB d'étanchéité d'extrémité. Approuvé FM.	
<ul style="list-style-type: none"> 10 tubes thermorétractables 	<p><u>Suffisant pour effectuer:</u></p> <p>Dix terminaisons d'extrémité.</p>


Connexion SLMCAB approuvée FM / Kit de terminaison

KITS	USAGE
SLMCABUC: Kit de connexion universel pour SLMCAB. Approuvé FM.	
<ul style="list-style-type: none"> 1 écarteur de tuyau 3/4" (19 mm) NPT 2 cosses à anneau 3 grosses cosses à sertir 2 petites cosses à sertir 2 attaches pour tuyau (tuyau IPS jusqu'à 152 mm [6"]) 2 manchons d'extrémité 1 tube de mastic d'étanchéité RTV de 89 ml (3 oz.) 1 rouleau de bande en fibre de verre 1 étiquette de mise en garde 1 vis de terre 	 <p>Emplacements normaux Emplacements dangereux (classifiés) Classe I, Division 2, Groupes B, C et D Classe II, Division 2, Groupes F et G Classe III, Division 2</p>
<p>Approbations valides uniquement en cas d'utilisation avec un câble chauffant et des accessoires d'installation appropriés, et une installation en conformité avec toutes les instructions, normes et réglementations applicables.</p> <p><u>Suffisant pour effectuer:</u></p> <p>Deux terminaisons d'extrémité et une connexion d'arrivée, ou une épissure d'arrivée, ou une épissure en T.</p> <p><i>REMARQUE : Nécessite un boîtier de raccordement 19 mm (3/4") NPT</i></p>	
SLMCABKC: Kit SLMCAB d'étanchéité d'extrémité. Approuvé FM.	
<ul style="list-style-type: none"> 10 manchons d'extrémité 4 rouleau de bande en fibre de verre 1 tube de mastic d'étanchéité RTV de 89 ml (3 oz.) 	<p><u>Suffisant pour effectuer:</u></p> <p>Dix terminaisons d'extrémité.</p>

CSA APPROVED SLCAB AND SLMCAB connection / termination kit

KITS	USAGE
SLCABUC-CSA-M: Kit de connexion universel SLCAB et SLMCAB. Approuvé CSA.	
<ul style="list-style-type: none"> 1 corps de connecteur 1 capuchon de connecteur 2 rondelles d'appui de connecteur 1 oeillet 1 manchon de terminaison 1 prise de soulagement de traction 2 support par suspension 1 contre-écrou 1 borne de terminaison 1 rouleau de bande en fibre de verre 1 mastic d'étanchéité aux silicones 1 attache de tuyau (de diamètre ext. 2 à 6" [51-152 mm]) 1 cosse à languette en anneau 1 kit d'étanchéité d'extrémité 	 <p>Emplacements normaux 130-03 (-G,-W, -S) Emplacements dangereux (classifiés) Classe I, Division 1[†] and 2, Groupes B, C, D Classe II, Division 1[†] and 2, Groupes E, F, G Classe III, Division 1[†] and 2 3, 5, 8 W/ft T6 10 W/ft T5</p>
<p>Approbations valides uniquement en cas d'utilisation avec un câble chauffant et des accessoires d'installation appropriés, et une installation en conformité avec toutes les instructions, normes et réglementations applicables.</p> <p>*2E approuvé pour 3 watts/pied et 5 watts/pied uniquement</p> <p><u>Suffisant pour effectuer:</u></p> <p>Une connexion d'entrée et une terminaison d'extrémité. Les épissures et les épissures d'entrée d'alimentation peuvent se faire en utilisant 2 kits.</p> <p><i>REMARQUE: Nécessite une boîte de jonction de 3/4 "(19mm) NPT</i></p>	
SLCABEND-CSA-2: Kit SLCAB et SLMCAB d'étanchéité d'extrémité. Approuvé CSA.	
<ul style="list-style-type: none"> 1 capuchon d'extrémité 1 attache de serrage 1 mastic d'étanchéité 	<p><u>Suffisant pour effectuer:</u></p> <p>Une terminaison d'extrémité</p>

CSA APPROVED SLHCAB connection / termination kit

KITS	USAGE
SLCABPWP-H: Kit de connexion d'alimentation SLHCAB pour tuyaux. Approuvé CSA.	
<ul style="list-style-type: none"> 1 Base 1 Haut 2 Boîte de dérivation 1 Passe-fils d'étanchéité (grand trou) 1 Passe-fils d'étanchéité (petit trou) 1 Joint d'étanchéité 2 Gaines thermorétractables 1/8 "x 51/2" (noir) 1 Tube thermorétractable 1/4 "x 51/2" (vert / jaune) 1 Tube rétractable 1/2 "x 11/2" (blanc) 1 La bague de verrouillage 1 Adaptateur (pour installation sur tuyau de moins de 1 ") 1 Fil de cravate d'acier inoxydable 	 <p>Emplacements normaux 130-03 (-G,-W, -S) Emplacements dangereux (classifiés) Classe I, Division 1[†] and 2, Groupes B, C, D Classe II, Division 1[†] and 2, Groupes E, F, G Classe III, Division 1[†] and 2 3, 5, 8 W/ft T6 10 W/ft T5</p>
<p>Approbations valides uniquement en cas d'utilisation avec un câble chauffant et des accessoires d'installation appropriés, et une installation en conformité avec toutes les instructions, normes et réglementations applicables.</p> <p><u>Suffisant pour effectuer:</u></p> <p>Une connexion d'entrée et une terminaison d'extrémité. Les épissures et les épissures d'entrée d'alimentation peuvent se faire en utilisant 2 kits.</p> <p><i>REMARQUE: Nécessite une boîte de jonction de 3/4 "(19mm) NPT</i></p>	
SLCABKC-H: Kit SLHAB d'étanchéité d'extrémité. Approuvé CSA.	
<ul style="list-style-type: none"> 1 capuchon d'extrémité 1 attache de serrage 1 mastic d'étanchéité 	<p><u>Suffisant pour effectuer:</u></p> <p>Une terminaison d'extrémité</p>

[†] Approbation CI/D1 pour BF uniquement. Contactez un représentant BriskHeat pour obtenir des informations sur les systèmes pour zones dangereuses de la division I.

ISOLATION THERMIQUE

Contrôles avant l'installation

Inspectez l'installation du câble chauffant et des composants et cherchez d'éventuels dommages. En particulier vérifiez que :

- La quantité appropriée de supplément de câble chauffant a été installée au niveau de chaque vanne, bride, support de tuyau, etc. en étant exempte d'entailles, déchirures ou d'abus. Du câble additionnel au-delà de la quantité spécifiée à un puits thermique n'est pas un problème du fait de l'effet d'autorégulation du câble chauffant.
- Les connexions, épissures et étanchéités d'extrémités sont correctement installées, y compris les étanchéités sur les enceintes de connexion d'alimentation.
- L'isolation est correctement calibrée pour la température maximale d'exposition du système de chauffage.

Installation

Contrôlez le type d'isolation thermique et son épaisseur par rapport aux critères de conception. Des variations de ces paramètres peuvent nécessiter un câble chauffant de puissance de chauffe différente. Vérifiez que tout le travail de tuyauterie, incluant les pénétrations dans des parois, les raccords, etc. a bien été complètement isolé.

Contrôlez le système pour vérifier que :

- L'isolation n'est pas humide du fait d'une chute de pluie avant l'application de l'étanchéification.
- Les joints de raccordement sur la tuyauterie verticale se chevauchent correctement - la partie supérieure devant passer par-dessus la partie inférieure.
- Des bandes d'étanchéification sont bien utilisées aux joints de recouvrement pour éviter l'infiltration d'eau.
- Toutes les pénétrations dans le revêtement calorifuge (tiges de vannes, tiges de suspension, etc.) sont correctement protégées contre la pénétration d'eau.
- Les pièces de forme irrégulière (comme les pompes) sont correctement étanchéifiées.

Pour minimiser des dommages potentiels au câble installez l'isolation aussitôt que possible. Il est recommandé qu'un autre test de résistance de l'isolation (au mégohmmètre) soit effectué après son installation pour vérifier que le câble chauffant n'a pas été endommagé durant l'installation de l'isolation.

Marquage

Installez des signalisations de présence de circuit électrique "Electric Trace" des deux côtés de la tuyauterie à des intervalles réguliers, comme avertissement pour le personnel d'entretien. Marquez de façon indélébile l'extérieur du revêtement d'isolation avec l'emplacement des composants du câble chauffant. Cela facilitera les interventions sur le système en cas de problème.

THERMOSTATS ET CAPTEURS

Les applications sensibles à l'exactitude de la température nécessiteront l'emploi d'un contrôle thermostatique. Le choix d'un thermostat qui convient doit prendre en considération les spécifications de tension et courant de l'appareil, de même que l'adéquation de son boîtier à l'environnement (antidéflagrant, étanche à la pluie, résistant à la corrosion, etc.). Le boîtier de ce thermostat doit se monter aussi près que possible de la connexion d'alimentation. Il peut y être relié dans la mesure où les exigences des normes sont satisfaites pour les étanchéités de connexion des conduites, etc. Pour détecter au mieux par son capteur la température la plus basse de l'air ambiant, le thermostat soit si possible être monté à l'ombre. Quand vous utilisez des thermostats détectant la température de tuyaux, leur bulbe (capteur) doit se monter sur le tuyau du côté opposé au chauffage, ou aussi loin de lui qu'il est possible. Cela permettra que le thermostat mesure la température réelle du tuyau et ne soit pas influencé par la température du dispositif qui le chauffe. Montez ce bulbe à au moins un mètre du plus proche puits thermique si possible.

De l'humidité dans le boîtier peut causer à la fois de la corrosion et des courts-circuits éventuels. La probabilité d'avoir ce type de problèmes peut être bien réduite par :

- Étanchéification appropriée de toutes les ouvertures du boîtier.
- Maintien fermé du couvercle de boîtier et protégé autant que possible pendant la séquence d'installation.
- Bonne fermeture et étanchéité du couvercle pour éviter des fuites à l'intérieur du boîtier.
- Utilisation d'un produit en aérosol protégeant de l'humidité les équipements électriques sur le thermostat et les connexions électriques (y compris les parties métalliques) à la fin de l'installation.
- Branchement et utilisation d'un chauffage d'ambiance si le thermostat le permet. N'activez pas ce chauffage d'ambiance durant les mois d'été.

BESOINS ÉLECTRIQUES

Spécifications de tension

Vérifiez que la tension alimentant le câble chauffant convient pour la configuration utilisée. Des câbles spécifiés pour 240 volts peuvent être utilisés de 208 à 277 volts, avec en conséquence un changement de leur puissance calorifique.

ALIMENTATION ÉLECTRIQUE

Choisissez le calibre des dispositifs protégeant de la surintensité (Figures 12 et 12). S'il ne s'agit de disjoncteurs classiques à déclenchement thermique/magnétique, consultez l'usine.

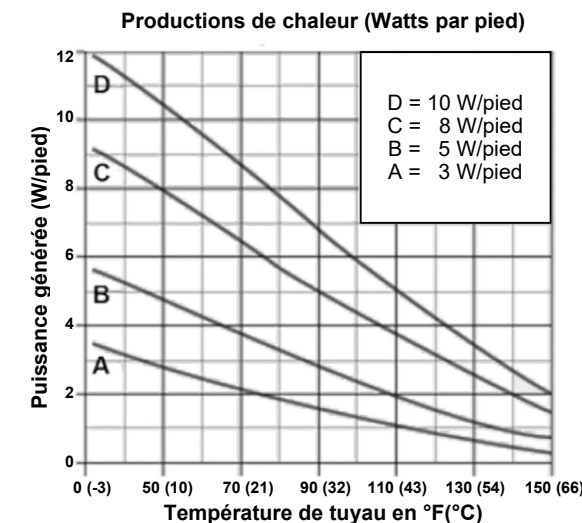
Pour des installations aux USA : Tous les disjoncteurs de calibre approprié doivent être identifiés en utilisant une étiquette de référence, mentionnant quelle branche de secteur alimente quel circuit de câble chauffant.

SLCAB

Longueur maximale de circuit en pieds par rapport au calibre de son disjoncteur

Type de câble chauffant	Calibre de disjoncteur	Température de départ		
		50°F (10°C)	0°F (-18°C)	-20°F (-29°C)
SLCAB3120	15 amp	300	200	180
	20 amp	-	270	230
	30 amp	-	330	330
SLCAB3240	15 amp	660	410	360
	20 amp	-	560	480
	30 amp	-	660	660
SLCAB5120	15 amp	230	150	130
	20 amp	270	200	175
	30 amp	-	270	260
SLCAB5240	15 amp	460	300	260
	20 amp	540	400	345
	30 amp	-	540	520
SLCAB8120	15 amp	150	95	85
	20 amp	200	125	100
	30 amp	210	190	170
	40 amp	-	210	210
SLCAB8240	15 amp	295	195	170
	20 amp	390	250	225
	30 amp	420	375	340
	40 amp	-	420	420
SLCAB10120	15 amp	115	70	60
	20 amp	150	95	85
	30 amp	180	145	120
	40 amp	-	180	165
SLCAB10240	15 amp	230	150	130
	20 amp	305	200	175
	30 amp	360	300	260
	40 amp	-	360	360

Figure 12



Facteurs d'ajustement selon la tension

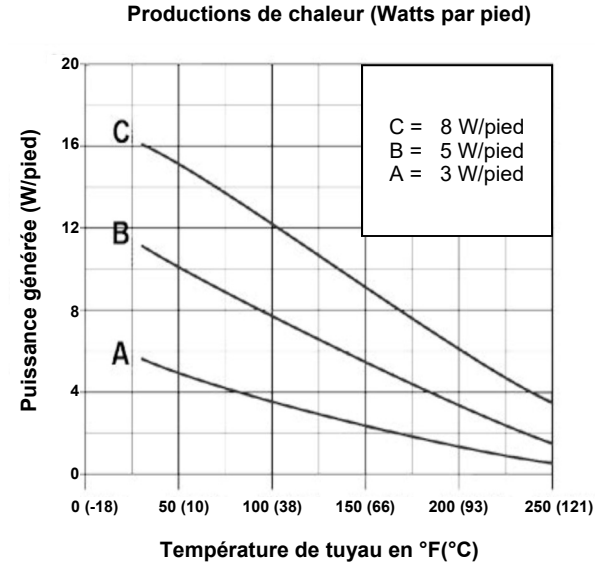
Facteur d'ajustement de puissance		
Type de produit	208 V CA	277 V CA
SLCAB3240	0.75	1.28
SLCAB5240	0.86	1.16
SLCAB8240	0.91	1.10
SLCAB10240	0.93	1.08

SLMCAB

Longueur maximale de circuit en pieds par rapport au calibre de son disjoncteur

Type de câble chauffant	Calibre de disjoncteur	Température de départ		
		50°F (10°C)	0°F (-18°C)	-20°F (-29°C)
SLMCAB5120	15 amp	150	135	130
	20 amp	200	180	170
SLMCAB5240	15 amp	250	230	220
	20 amp	330	305	295
SLMCAB10120	15 amp	90	85	80
	20 amp	120	110	105
SLMCAB10240	15 amp	140	130	125
	20 amp	190	175	170
SLMCAB15120	15 amp	70	65	60
	20 amp	90	85	80
SLMCAB15240	15 amp	100	95	90
	20 amp	135	125	120
SLMCAB15240	20 amp	135	125	120
	30 amp	200	185	180

Figure 13



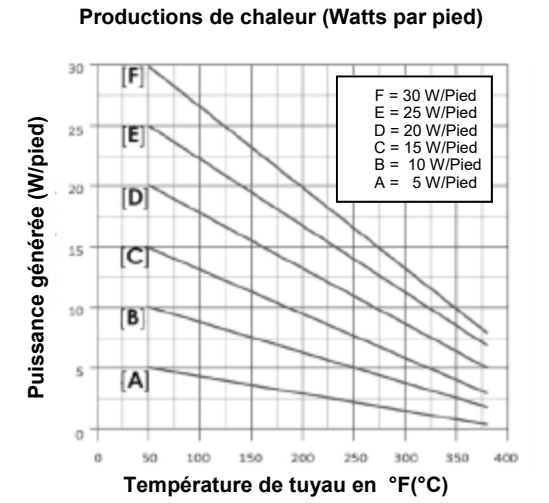
Facteurs d'ajustement selon la tension

Facteur d'ajustement de puissance		
Type de produit	208 V CA	277 V CA
SLMCAB5240	0.78	1.25
SLMCAB10240	0.86	1.16
SLMCAB15240	0.92	1.09

SLHCAB

Longueur maximale de circuit en pieds par rapport au calibre de son disjoncteur

Type de câble chauffant	Calibre de disjoncteur	Température de départ		
		50°F (10°C)	-0°F (-20°C)	-50°F (-45°C)
SLHCAB5120	10 amp	240	140	115
	15 amp	320	220	190
SLHCAB5240	10 amp	485	275	232
	15 amp	643	436	377
SLHCAB10120	20 amp	660	530	449
	10 amp	162	105	80
SLHCAB10240	15 amp	249	170	127
	20 amp	265	215	164
SLHCAB10240	10 amp	324	209	160
	15 amp	498	337	255
SLHCAB15120	20 amp	530	433	328
	10 amp	123	54	52
SLHCAB15120	15 amp	177	90	82
	20 amp	200	115	103
SLHCAB15240	20 amp	406	229	206
	30 amp	420	350	275
SLHCAB15240	40 amp	420	350	320
	10 amp	75	45	35
SLHCAB20120	15 amp	121	65	55
	20 amp	150	80	70
SLHCAB20240	20 amp	295	164	141
	30 amp	315	215	170
SLHCAB20240	40 amp	360	215	215
	10 amp	55	30	25
SLHCAB25120	15 amp	90	45	45
	20 amp	115	60	50
SLHCAB25240	20 amp	229	124	98
	30 amp	229	158	120
SLHCAB25240	40 amp	240	158	158
	20 amp	229	124	98
SLHCAB30120	30 amp	229	158	120
	40 amp	240	158	158
SLHCAB30240	20 amp	229	124	98
	30 amp	229	158	120
SLHCAB30240	40 amp	240	158	158



Facteurs d'ajustement selon la tension

Facteur d'ajustement de sortie en watts / ft		
Type de produit	208 V CA	277 V CA
SLHCAB10240	0.88	1.14
SLHCAB20240	0.94	1.08
SLHCAB30240	0.99	1.01

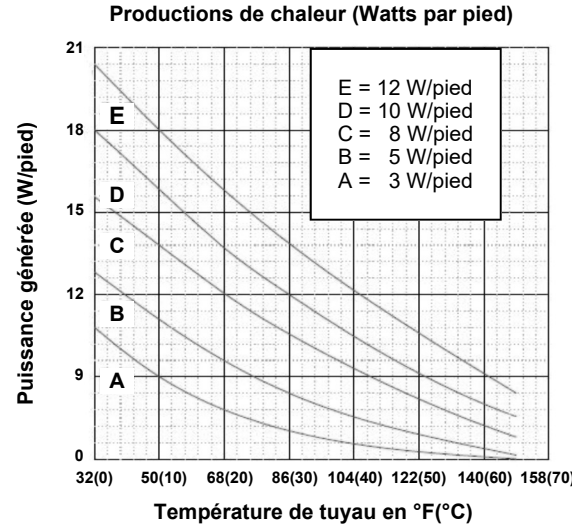
Figure 14

SLCBL

Longueur maximale de circuit en pieds par rapport au calibre de son disjoncteur

Type de câble chauffant	Calibre de disjoncteur	Température de départ			
		50°F (10°C)	32°F (0°C)	-4°F (-20°C)	-40°F (-40°C)
SLCBL3120	10 amp	240	200	140	115
	15 amp	320	300	220	190
	20 amp	330	320	265	225
	30 amp	330	320	280	265
	40 amp	330	320	280	265
SLCBL3240	10 amp	485	396	275	232
	15 amp	643	606	436	377
	20 amp	660	643	530	449
	30 amp	660	643	557	530
SLCBL5120	10 amp	162	135	105	80
	15 amp	249	215	170	127
	20 amp	265	252	215	164
	30 amp	265	252	240	200
SLCBL5240	10 amp	324	269	209	160
	15 amp	498	429	337	255
	20 amp	530	505	433	328
	30 amp	530	505	480	400
SLCBL8120	10 amp	123	100	54	52
	15 amp	177	145	90	82
	20 amp	200	180	115	103
	30 amp	210	180	175	135
SLCBL8240	10 amp	246	203	108	104
	15 amp	354	291	183	164
	20 amp	406	360	229	206
	30 amp	420	360	350	275
SLCBL10120	10 amp	75	55	45	35
	15 amp	121	85	65	55
	20 amp	150	105	80	70
	30 amp	155	120	105	85
SLCBL10240	10 amp	147	111	85	68
	15 amp	242	177	131	114
	20 amp	295	216	164	141
	30 amp	315	246	215	170
SLCBL12120	10 amp	55	40	30	25
	15 amp	90	60	45	45
	20 amp	115	80	60	50
	30 amp	115	90	80	60
SLCBL12240	10 amp	111	78	59	49
	15 amp	183	124	91	85
	20 amp	229	160	124	98
	30 amp	229	180	158	120

Figure 15



Facteurs d'ajustement selon la tension

Facteur d'ajustement de sortie en W/pied		
Type de produit	208 V CA	277 V CA
SLCBL3240	0.82	1.13
SLCBL5240	0.85	1.12
SLCBL8240	0.89	1.08
SLCBL10240	0.89	1.08
SLCBL12240	0.89	1.08

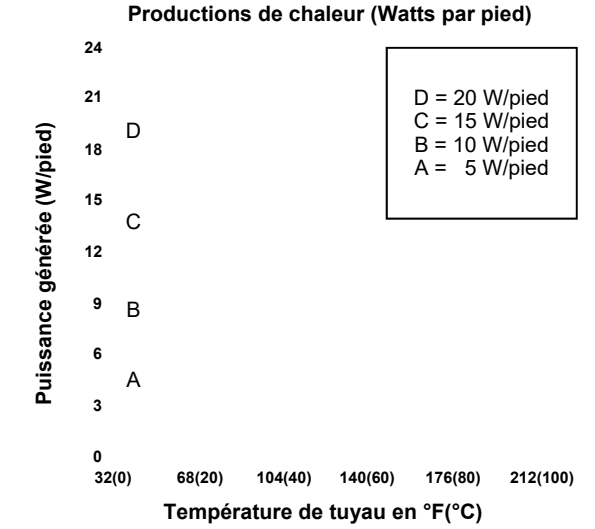
Facteur d'ajustement selon la longueur max. de circuit		
Type de produit	208 V CA	277 V CA
SLCBL3240	0.96	1.08
SLCBL5240	0.94	1.09
SLCBL8240	0.92	1.11
SLCBL10240	0.92	1.11
SLCBL12240	0.92	1.11

SLMCBL

Longueur maximale de circuit en pieds par rapport au calibre de son disjoncteur

Type de câble chauffant	Calibre de disjoncteur	Température de départ			
		50°F (10°C)	32°F (0°C)	-4°F (-20°C)	-40°F (-40°C)
SLMCBL5120	10 amp	110	80	-	-
	15 amp	133	105	98	90
	20 amp	195	160	148	138
	30 amp	210	195	170	165
	40 amp	210	195	183	180
SLMCBL5240	10 amp	220	160	145	135
	15 amp	265	210	195	180
	20 amp	390	320	295	275
	30 amp	420	390	365	360
	40 amp	420	390	340	330
SLMCBL10120	10 amp	75	73	-	-
	15 amp	100	95	80	70
	20 amp	133	148	125	100
	30 amp	174	180	156	130
SLMCBL10240	10 amp	150	145	121	114
	15 amp	200	190	160	140
	20 amp	265	295	249	200
	30 amp	347	360	311	280
SLMCBL15120	10 amp	57	51	-	-
	15 amp	94	87	57	54
	20 amp	120	108	71	69
	30 amp	154	133	80	80
SLMCBL15240	10 amp	114	101	68	65
	15 amp	187	173	114	108
	20 amp	239	216	141	137
	30 amp	308	265	180	173
SLMCBL20120	10 amp	51	41	-	-
	15 amp	82	72	51	49
	20 amp	102	90	67	61
	30 amp	131	115	84	74
SLMCBL20240	10 amp	101	82	62	55
	15 amp	164	144	101	98
	20 amp	203	180	134	121
	30 amp	262	229	167	147
SLMCBL20240	10 amp	101	82	62	55
	15 amp	164	144	101	98
	20 amp	203	180	134	121
	30 amp	262	229	167	147

Figure 16



Facteurs d'ajustement selon la tension

Facteur d'ajustement de sortie en W/pied		
Type de produit	208 V CA	277 V CA
SLMCBL5240	0.84	1.20
SLMCBL10240	0.85	1.18
SLMCBL15240	0.91	1.09
SLMCBL20240	0.90	1.07

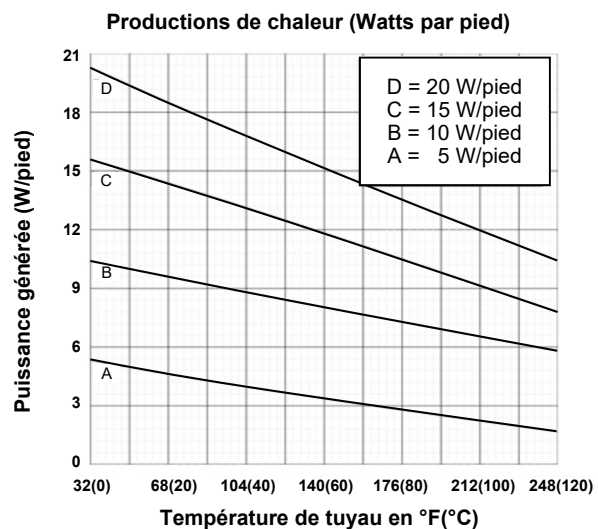
Facteur d'ajustement selon la longueur max. de circuit		
Type de produit	208 V CA	277 V CA
SLMCBL5240	0.95	1.04
SLMCBL10240	0.94	1.06
SLMCBL15240	0.91	1.10
SLMCBL20240	0.91	1.11

SLHCBL

Longueur maximale de circuit en pieds par rapport au calibre de son disjoncteur

Type de câble chauffant	Calibre de disjoncteur	Température de départ			
		50°F (10°C)	32°F (0°C)	-4°F (-20°C)	-40°F (-40°C)
SLHCBL5120	10 amp	120	110	105	90
	15 amp	180	175	158	143
	20 amp	240	215	190	180
	30 amp	259	245	240	225
	40 amp	266	255	250	240
SLHCBL5240	10 amp	240	220	210	180
	15 amp	360	350	315	285
	20 amp	479	430	380	360
	30 amp	518	490	480	450
	40 amp	531	510	500	480
SLHCBL10120	10 amp	73	69	65	58
	15 amp	118	110	98	88
	20 amp	148	140	130	118
	30 amp	220	200	182	175
	40 amp	255	240	220	230
SLHCBL10240	10 amp	146	138	130	116
	15 amp	236	220	195	175
	20 amp	295	280	260	235
	30 amp	440	400	364	350
	40 amp	510	480	440	460
SLHCBL15120	10 amp	50	47	42	40
	15 amp	75	65	63	60
	20 amp	100	90	83	80
	30 amp	143	135	125	120
	40 amp	190	175	168	160
SLHCBL15240	10 amp	100	93	83	80
	15 amp	150	130	125	120
	20 amp	200	180	165	160
	30 amp	285	270	250	240
	40 amp	380	350	335	320
SLHCBL20120	10 amp	39	33	34	32
	15 amp	58	55	50	48
	20 amp	75	71	68	63
	30 amp	115	105	100	95
	40 amp	153	143	133	125
SLHCBL20240	10 amp	77	70	67	63
	15 amp	115	110	100	95
	20 amp	150	142	135	125
	30 amp	230	210	200	190
	40 amp	306	286	265	250

Figure 17



Facteurs d'ajustement selon la tension

Facteur d'ajustement de sortie en W/pied		
Type de produit	208 V CA	277 V CA
SLHCBL5240	0.87	1.07
SLHCBL10240	0.88	1.08
SLHCBL15240	0.88	1.08
SLHCBL20240	0.86	1.07

Facteur d'ajustement selon la longueur max. de circuit		
Type de produit	208 V CA	277 V CA
SLHCBL5240	0.99	1.08
SLHCBL10240	0.99	1.06
SLHCBL15240	0.98	1.06
SLHCBL20240	1.00	1.08

Protection contre défaut de terre

Des disjoncteurs protégeant contre des défauts de terre sont nécessaires sur toutes les constructions chauffantes selon la norme électrique américaine. En general, il faut des protections déclenchant à 30 mA du fait de la fuite capacitive de la construction avec câble chauffant.

Étanchéité

La pénétration d'humidité dans le système électrique est la principale source de problèmes pour une installation de système à câbles chauffants. C'est pourquoi, un soin particulier doit être apporté à une bonne étanchéification de tous les raccordements électriques et de toutes les épissures. Les kits d'étanchéification de câble chauffant vont apporter une protection appropriée au câble lui-même, si les instructions d'utilisation sont respectées. Tout le reste des connexions électriques (câblage d'alimentation du chauffage, raccordements de thermostat, connexions au panneau et au disjoncteur, etc.) doit être scellé ou protégé de l'humidité d'une façon ou d'une autre. Il faudra utiliser soit un tube de mastic thermorétractable soit un produit pour étanchéité en aérosol sur toutes les connexions afin de réduire toute pénétration d'humidité. Cette protection réduira également le risque de corrosion pour les parties métalliques exposées.

TEST

Recommandations

Des tests électriques sont recommandés sur des points spécifiques, au moment de la réception et de la pose du câble chauffant. Ce test périodique est conçu pour éviter de gaspiller de la main-d'œuvre dans le cas où le produit serait endommagé. Les coûts d'installation du câble et de l'isolation thermique dépassent de loin le prix du câble lui-même. Une identification rapide de tout dommage du câble chauffant est l'approche la plus économique sur une installation. Un test de résistance de l'isolation est recommandé à ces étapes du processus d'installation :

- À LA RÉCEPTION du câble chauffant
- AVANT l'installation de l'ISOLATION thermique
- JUSTE APRÈS l'installation de l'isolation thermique
- Dans le cadre d'un programme d'ENTRETIEN PÉRIODIQUE

Procédure

Le test de résistance de l'isolation est utilisé pour contrôler les dommages aux revêtements extrudés. Les raccordements du mégohmmètre sont réalisés comme sur les Figures 18 et 19.

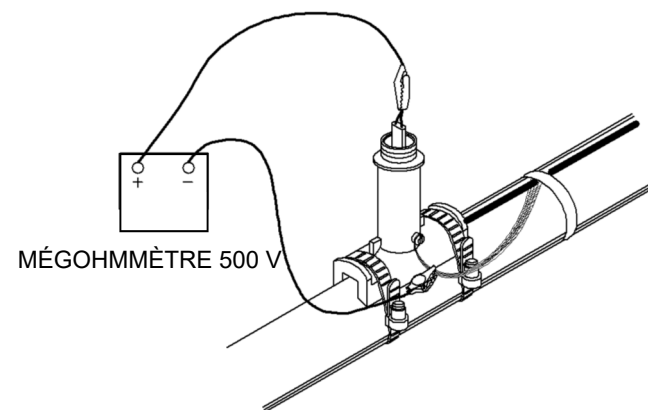


Figure 18

CÂBLES CHAUFFANTS AVEC TRESSE

Test entre bus de câble chauffant et tresse

Note: Test should use at least a 500 VDC megger. Do not use a megger with an excess of 2500 VDC. Minimum acceptable readings should be 20 megohms per circuit, regardless of length.

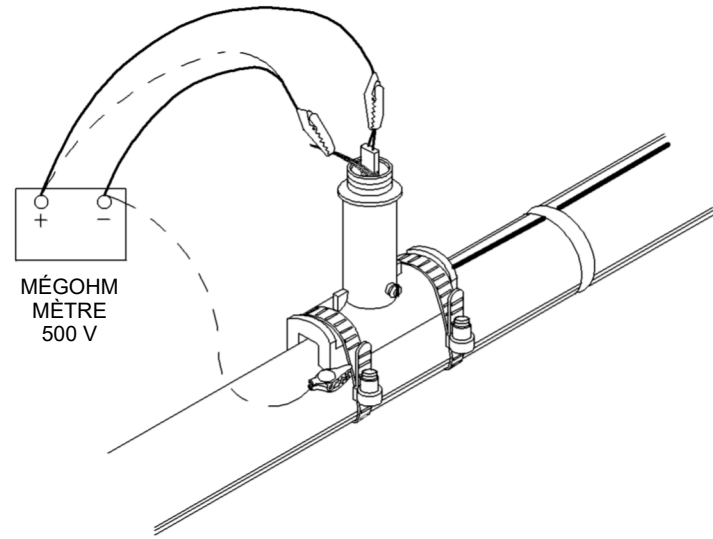


Figure 19

CÂBLES CHAUFFANTS AVEC TRESSE ET ENVELOPPE EXTERIEURE

- Test A - (lignes pleines) entre fils du bus de câble et tresse.
- Test B - (en pointillés) entre tresse et tuyau métallique.

Un enregistrement doit être conservé des mesures effectuées depuis le moment de l'installation initiale du câble sur le tuyau. Un historique des mesures de résistance d'isolation peut s'avérer utile pour constater la progression de l'humidité dans le système électrique (en constatant une dégradation progressive de la résistance d'isolation) ou un dommage physique au câble chauffant (avec un déclin brutal de cette résistance d'isolation). Un exemple d'enregistrement pour ce phénomène est montré en Figure 20 (Voir en page suivante).

ENREGISTREMENT D'INSPECTION PERIODIQUE DE BRISKHEAT

N° de circuit
Type de câble
Longueur de circuit

Circuits de protection contre le gel -

Effectuez ces contrôles quand vous approchez de la saison où c'est nécessaire.

Circuits de maintien de la température -

Effectuez ces tests au moins deux fois par an.

Contrôles d'entretien pour		Mois		Année						
Inspection visuelle dans le boîtier de raccordement (corrosion, humidité, etc.)	Initiales Date									
Dommages et craquelures (fuites) dans les couches d'isolation aux vannes, suspensions, pompes, etc.	Initiales Date									
Câble chauffant correctement connecté et relié à la terre.	Initiales									
Câble chauffant et connexions isolés du boîtier de raccordement.	Date									
Thermostat contrôlé pour humidité, corrosion, point de consigne, fonctionnement du commutateur, et dommages au capillaire.	Point de consigne									
	Initiales Date									
Tests par mégohmmètre faits à la connexion d'alimentation avec les deux fils de bus débranchés du circuit d'alimentation.	Mesure									
	Initiales Date									
Tension du circuit à la connexion d'alimentation.	Mesure									
Consommation du circuit après 5 minutes.	Mesure									
Température du tuyau au moment où le courant a été mesuré.	Mesure									
Watts/pied										
Volts x Ampères = w/pied	Initial									
	Date									
L'ensemble des connexions, boîtiers et thermostats ont été de nouveau étanchéifiés.	Initial Date									
Les étanchéités d'extrémités, épissures recouvertes et tés son marqués sur le revêtement d'isolation.	Initiales									
	Date									
Remarques et commentaires										

FORMULAIRE D'ENREGISTREMENT D'INSPECTION PERIODIQUE

Figure 20
Formulaire d'enregistrement d'entretien périodique

Ce formulaire d'enregistrement d'entretien périodique peut s'utiliser de deux manières :

- Une feuille par circuit** - Les résultats des tests périodiques pour un même circuit sont notés dans les colonnes verticales, en partant de la gauche et en allant vers la droite. Cela permet une comparaison facile des résultats de test pour jusqu'à sept séquences pour un circuit particulier.
- Un circuit par colonne** - Les données de test pour une même séquence de tests effectués sur jusqu'à sept circuits différents peuvent tenir sur une même feuille.

DÉMARRAGE

Durée de préchauffage

La capacité de montée en température (chauffage rapide du tuyau et de son contenu) n'est pas normalement comprise dans le système. Les démarrages à froid doivent laisser une durée adéquate/suffisante pour que le tuyau monte à sa température de consigne.

Facteur de diversité

Si la capacité de puissance électrique fournie est limitée, alors un facteur de diversité peut être utilisé dans une situation de départ à froid (nécessite d'activer l'ensemble du système par temps très froid). Il s'agit d'étagérer l'activation des différents circuits à câble chauffant de façon à ce que leurs surintensités initiales se produisent en séquence plutôt que toutes en même temps.

UTILISATION ET ENTRETIEN

Conception de système, installation et documentation

Le système à câbles chauffants doit être correctement conçu, installé et documenté. Cette documentation doit au moins inclure des listes pour les lignes installées et les localisations doivent être identifiées. Des schémas de l'installation réalisée constituent un outil optimal pour la maintenance. Les enregistrements des tests doivent également être considérés comme faisant partie des besoins en documentation du système (Voir la Figure 20 et 21).

Entretien préventif

Il faut un programme d'entretien préventif qui inclut des contrôles visuels et électriques du système. Ces contrôles sont à faire non seulement avant l'utilisation initiale du système, mais aussi à une cadence planifiée. Des contrôles sont aussi nécessaires à la suite de toute intervention de maintenance.

Inspections visuelles

- Isolation thermique – Vérifiez que, sur le revêtement d'étanchéité, il n'y a pas de dommages, absences, pas de craquelures ou espaces sur calfeutrages ou mastics, ni de calorifugeage endommagé ou manquant. Quand des dommages sont avérés, l'isolation doit être réparée ou remplacée, puis être étanchéifiée de nouveau. **UN ISOLANT HUMIDE PRÉSENTE DE MÉDIOGRES QUALITÉ D'ISOLATION, IL FAUT DONC LE GARDER AU SEC.** Si l'isolation a été endommagée, vérifiez s'il y a aussi des dommages au câble chauffant – Si nécessaire remplacez la section abîmée.
- Inspectez les boîtiers de raccordement, les connexions et les thermostats, pour y déceler de la corrosion, de l'humidité ou des matières étrangères.
- Contrôlez le bon serrage des connexions électriques, l'isolation correcte des fils d'alimentation des câbles chauffants, le bon état de la couche d'étanchéité sur les connexions électriques, et le fait qu'au moins 2,5 cm de chauffage électriquement isolé s'étende par-dessus la connexion de terre. Aucun brin de la tresse de terre ne doit émerger au-dessus de cette connexion.
- Contrôlez tous les fils des thermostats ou de capteurs capillaires pour vérifier qu'ils sont attachés et protégés contre des dommages physiques.
- Vérifiez que tous les couvercles d'enceintes, boîtiers de raccordement, etc. sont bien fermés, et que le thermostat commute bien pour activer/ désactiver, en mesurant le courant dans le circuit à l'activation. Mettez bien le bouton sur la température adéquate une fois le test terminé.

Fréquence

Les inspections doivent être menées avant le début de la saison de gel sur les systèmes de protection antigel. Les systèmes de maintenance des processus doivent être contrôlés assez fréquemment, et au moins deux fois par an.

Formation du personnel

Il faut utiliser du personnel d'entretien qualifié pour s'occuper du système. Il est recommandé que des programmes de formations soient menés périodiquement pour le garder à jour sur l'équipement et les procédures.

Entretien

Les câbles chauffants ne nécessitent aucun entretien. Les contrôles mécaniques de températures doivent être pulvérisés avec un produit écartant humidité/corrosion une fois par an sur toutes les parties métalliques.

Réparations de tuyauterie

Débranchez la connexion électrique des câbles chauffants et protégez-la contre des dommages mécaniques ou thermiques durant la réparation. Contrôlez l'installation du câble chauffant après la réparation en suivant les procédures établies. Remettez en place et étanchéifiez le système d'isolation thermique.

PRODUITS ENDOMMAGÉS

N'essayez pas de réparer un câble chauffant endommagé – remplacez la section en entier. Des courants anormaux vont souvent détruire l'interface entre fil de bus et matériau central, entre la partie endommagée et l'extrémité d'arrivée d'alimentation du circuit.

Remplacez immédiatement le câble chauffant endommagé. La migration de l'humidité dans une section en bon état du câble chauffant peut causer un court-circuit électrique dedans après la réparation initiale de la section endommagée.

Tout produit exposé au feu ou à une flamme doit immédiatement être mis hors service et remplacé. Des dommages par feu plus importants pourraient s'en suivre s'il était remis sous tension.

GUIDE DE DÉPANNAGE

SYMPTÔMES	CAUSE PROBABLE	CORRECTION
A. Le disjoncteur se déclenche (type standard)	<ol style="list-style-type: none"> Disjoncteur sous-dimensionné Circuit surdimensionné Démarrage à température trop basse . Disjoncteur défectueux Court-circuit possible au niveau de connexions et/ou épissures Dommages physiques au cable chauffant pouvant causer un courtcircuit Fils reliés à l'étanchéité d'extrémité 	<ol style="list-style-type: none"> Rétablissez ce que les charges actuelles devraient être et mettez des disjoncteurs de calibre adéquat.* Remplacez le disjoncteur. Trouvez et réparez les mauvaises connexions, les épissures ou sections de câble endommagées. ** Testez au mégohmmètre en suivant les instructions d'installation. Débranchez les fils et effectuez un contrôle de courant pour de possibles autres dommages.
B. Le disjoncteur se déclenche (type pour fuite à la terre)	<ol style="list-style-type: none"> Tout ce qui est mentionné dans la section A Humidité excessive dans les boîtiers de raccordement ou les épissures Pincement ou coupure dans l'élément chauffant ou fil d'alimentation avec présence d'humidité. 	<ol style="list-style-type: none"> Tout ce qui est mentionné dans la section A Asséchez et étanchéifiez de nouveau les connexions et épissures. Testez au mégohmmètre suivant les instructions d'installation (20 MΩ min.). Commencez par les connexions hors de l'isolation thermique, ne vérifiez le reste que si le problème n'a pas été éliminé. Trouvez et réparez ou remplacez le câble chauffant ou le fil d'alimentation qui pose problème.**

* Contrôlez pour voir si le calibre actuel des fils d'alimentation est compatible avec des disjoncteurs de plus gros calibre.

** Pour localiser des problèmes de court-circuit, suivez ces étapes :

- Inspectez visuellement les connexions d'alimentation et les épissures qui sont en-dehors de l'isolation thermique pour voir si leur installation est correcte.
- Contrôlez autour des vannes, pompes, et toute partie où il y a peut-être eu une intervention, pour chercher une indication visuelle de dommage.
- Regardez s'il n'y a pas de couche d'isolation écrasée ou endommagée le long du tuyau.
- Finalement, inspectez les épissures du câble chauffant sous l'isolation thermique.
- Si vous n'avez pas alors localisé le problème, vous devrez isoler les sections du câble chauffant, l'une après l'autre, jusqu'à la détermination de la zone à problème. Commencez à isoler en débranchant tous les tés et épissures, puis ôtez l'isolation de cette zone jusqu'à ce que vous trouviez le dommage spécifique. Pour des longs tronçons de câble, il peut être nécessaire de le couper en deux parties pour isoler une section plus réduite.

SYMPTÔMES	CAUSE PROBABLE	CORRECTION
C. La sortie de puissance est nulle ou inférieure à la spécification.***	1. Tension d'entrée faible ou inexistante.	1. Réparez les lignes d'alimentation électrique et l'équipement.
	2. Circuit plus court que prévu à la conception.	2. Contrôlez le cheminement et la longueur du câble chauffant (utilisez les données constatées) et recalculez les besoins en puissance.
	a. Des épissures ou tés peuvent ne pas avoir été connectés.	a. Connectez et revérifiez la puissance.
	b. Le câble chauffant peut avoir souffert.	b. Localisez et réparez le câble chauffant endommagé. Vérifiez à nouveau la puissance.
	3. Un mauvais sertissage causant une connexion à trop forte résistance.	3. Re-sertissez en utilisant une procédure correcte.
	4. Le thermostat de commande est câblé en position normalement ouverte.	4. Re-câblez en position normalement fermée.
	5. Le tuyau est déjà à une température élevée.	5. Contrôlez la température du tuyau et recalculez la sortie.***
6. Le câble chauffant a été exposé à un excès d'humidité.	6,7. Replace the heating cable.	
7. Le câble chauffant a été exposé à des températures excessives.		
D. La sortie de puissance semble correcte mais les températures de tuyau sont endessous des valeurs prévues à la conception.	1. L'isolation est humide.	1. Enlevez-la et remplacez-la par une isolation sèche, puis assurez une bonne étanchéification.
	2. Il n'y a pas eu assez de câble chauffant sur les vannes, supports et autres puits thermiques.	2. Coupez du câble chauffant additionnel mais ne dépassez pas la longueur totale maximale de circuit.
	3. Le thermostat a été mal réglé.	3. Restaurez le réglage du thermostat.
	4. Il y a des erreurs dans la conception thermique.	4. Contrôlez les conditions de conception avec un agent local ou l'usine. Modifiez selon les recommandations.

*** La sortie de puissance sur des câbles chauffants de plus faible résistance est sensible à la température et nécessite une procédure spéciale pour déterminer sa valeur :

1. Contrôlez la température du tuyau sous une isolation thermique.
2. Laissez le câble chauffant se stabiliser pendant 10 minutes puis mesurez le courant consommé.
3. Calculez la puissance calorifique (watts/pied) du câble chauffant en multipliant le courant par la tension appliquée et en divisant le résultat par la longueur réelle du circuit.

$$\frac{I \times V}{\text{Pieds}} = \frac{\text{Watts}}{\text{Pieds}}$$

4. Comparez cette valeur issue des mesures avec les courbes de sortie de puissance relatives au câble chauffant à la température mesurée du tuyau. Si la sortie de puissance réelle du câble chauffant est bien en-dessous de sa valeur théorique, c'est que l'interface entre fils de bus et coeur a été endommagée par un courant anormal et le câble doit être remplacé. Ce n'est pas une méthode très précise d'analyse, donc faites preuve de prudence pour la comparaison des valeurs théorique et mesurées.

ENREGISTREMENT D'INSTALLATION DE PISTE CHAUFFANTE

1. N° de circuit _____	Date _____		
2. Document de réception		CONCEPTION	ACTUEL
Article		_____	_____
A. Type de câble		_____	_____
B. Longueur de câble		_____	_____
3. Test à la réception	Date _____		
A. Recherche de dommages physiques	O.K. _____	Domage(s) _____	
B. Contrôle de continuité Continuité entre les fils d'alimentation.	O.K. _____	Ouvert _____	
C. 500 V CC min., 2 500 V cc recommandé, contrôle au mégohmmètre entre les fils et la gaine, 20 MΩ minimum	Mégohms _____		
D. N° de lot.	N° _____		
4. Test après l'installation	Date _____		
A. Contrôle de continuité Continuité entre les fils froids.	O.K. _____	Ouvert _____	
B. 500 V CC min., 2 500 V cc recommandé, contrôle au mégohmmètre entre les fils et la gaine, 20 MΩ minimum	Mégohms _____		
C. Contrôle visuel d'installation du câble avant de permettre l'isolation thermique.	Contrôle visuel O.K. _____		
5. Test final et mise en service	Date _____		
A. Circuit approuvé après test par le client	Approuvé _____		
B. 500 V CC min., 2 500 V cc recommandé, contrôle au mégohmmètre entre les fils et la gaine, 20 MΩ minimum	Megohms _____		
C. Test en fonctionnement		CONCEPTION	ACTUEL
(tous les résultats de test doivent être à moins de 10 % des données de conception)		_____	_____
1. Tension du circuit		_____	_____
2. Courant initial		_____	_____
3. Courant après 15 minutes de fonctionnement		_____	_____
4. Courant après 30 minutes de fonctionnement		_____	_____
5. Température du tuyau		_____	_____
6. Acceptation du circuit		_____	_____

Ce circuit a été testé et documenté en conformité avec les données détaillées ci-dessus. Circuit installé par :

Entrepreneur _____ Date _____

L'enregistrement d'installation de piste chauffante peut s'utiliser pour contrôler l'installation initiale et vérifier le processus.

Ce document peut s'utiliser en conjonction avec l'enregistrement d'inspection périodique montré en Figure 20.

Figure 21

NOTE**INFORMATIONS DE GARANTIE**

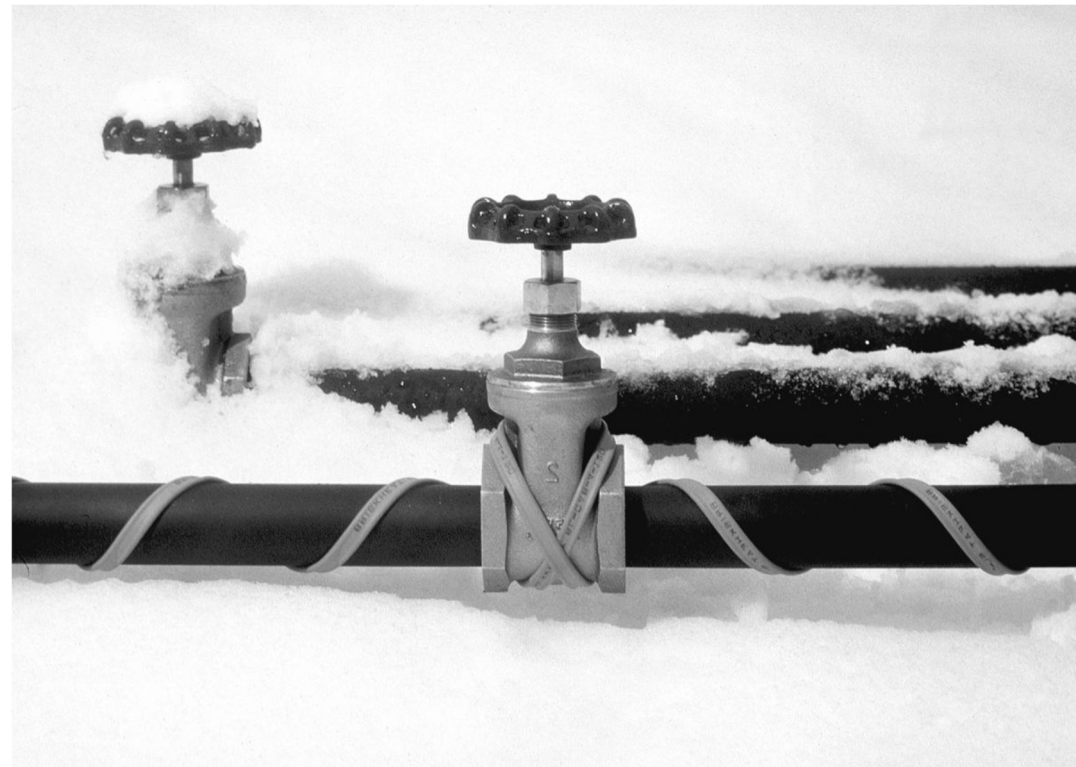
BriskHeat[®] garantit ce produit pour son acheteur d'origine pendant une période de dix-huit (18) mois à partir de sa date d'expédition, ou de douze (12) mois à partir de sa date d'installation (la première de ces deux échéances). L'obligation de BriskHeat[®], qui constitue l'unique remède dans le cadre de cette garantie, se limite à la réparation ou au remplacement, au choix exclusif de BriskHeat[®], de toutes les pièces du produit prouvées défectueuses dans le contexte d'une utilisation prescrite et d'un service suivant l'examen de BriskHeat[®], qui détermine qu'il y a bien une défaillance. Les détails complets de la garantie peuvent se trouver en ligne sur le site www.briskheat.com, ou en nous contactant au 1-800-848-7673 (appel sans frais pour USA / Canada) ou au 1-614-294-3376 (reste du monde).

BriskHeat[®]
Corporation

Siège social :
4800 Hilton Corporate Dr.
Columbus, OH 43232, États-Unis

Europe :
Boîte Postale 420124
44275 Dortmund, Allemagne

Numéro gratuit : 800-848-7673
Téléphone : 614-294-3376
Fax : 614-294-3807
Email : bhtsales1@briskheat.com



Selbst regelndes Heizkabel

Installations-, Betriebs- und Wartungshandbuch

BEWAHREN SIE DIESE ANWEISUNGEN AUF!

Zusätzliche Exemplare dieses Handbuchs sind auf Anfrage erhältlich.



Sie müssen diese Bedienungsanleitung gelesen und verstanden haben, bevor Sie dieses Produkt installieren, bedienen oder warten. Ein mangelndes Verständnis dieser Bedienungsanleitung kann zu Unfällen führen, die schwere Verletzungen oder den Tod verursachen.

Diese Anweisungen für späteres Nachschlagen aufbewahren

INHALTSVERZEICHNIS

WICHTIGE SICHERHEITSHINWEISE	99
VORGESEHENE VERWENDUNG	100
TEILENUMMERSTRUKTUR	100
TECHNISCHE PARAMETER	101
ALLGEMEINE INFORMATION	102
Wie Heizsysteme arbeiten	102
PRODUKTAUSWAHL	102
EINGANG UND LAGERUNG	102
Eingang	102
Lagerung	102
INSTALLATION	102
Ablaufkoordination	103
Überprüfungen vor der Installation	103
Handhabung der Heizung	103
Anbringung des Heizkabels	103
Gerade Anbringung	103
Umwicklung	104
Befestigung	104
Kürzen des Heizkabels	104
Installationsdetails	104
SYSTEMKOMPONENTEN	107
Kompatibilität der Systemkomponenten	108
SLCBL Verbindungs-/Abschluss-Kits	109
SLCBL, SLMCBL, SLHCBL Verbindungs-/Abschluss-Kits	110
FM-ZUGELASSENES SLCAB Verbindungs-/Abschluss-Kit	111
FM-ZUGELASSENES SLMCAB Verbindungs-/Abschluss-Kit	111
CSA-ZUGELASSENES SLCAB und SLMCAB Verbindungs-/Abschluss-Kit	112
THERMISCHE ISOLIERUNG	113
Überprüfungen vor der Installation	113
Installation	113
Markierung	113
THERMOSTATE UND SENSOREN	113
ANFORDERUNGEN AN DIE STROMVERSORGUNG	113
Nennspannung	113
Elektrische Belastung	114
Erdschlussschutz:	120
Wasserabdichtung	120
TPRÜFUNG	120
Empfehlungen	120
Verfahren	120
INBETRIEBNAHME	123
Aufheizdauer	123
Diversitätsfaktor	123
BEDIENUNG UND WARTUNG	123
Systemdesign, Installation und Dokumentation	123
Vorbeugende Wartung	123
Visuelle Inspektion	123
Häufigkeit	123
Ausbildung des Personals	123
Wartung	123
Rohrleitungsreparatur	123
BESCHÄDIGTE PRODUKTE	124
FEHLERBEHEBUNGSANLEITUNG	124
GARANTIEINFORMATION	128

WICHTIGE SICHERHEITSHINWEISE



SICHERHEITSWARNSYMBOL

Das obige Symbol wird verwendet, um Ihre Aufmerksamkeit auf Anweisungen zur Sicherheit von Personen zu richten. Es weist auf wichtige Sicherheitsvorkehrungen hin. Es bedeutet „**ACHTUNG! Seien Sie aufmerksam! Ihre persönliche Sicherheit ist betroffen!**“ Lesen Sie aufmerksam die folgenden Hinweise: Deren Missachtung kann zu Verletzungen oder den Tod führen.



GEFAHR

Eine Person, die nicht alle Bedienungsanleitungen gelesen und verstanden hat, ist nicht berechtigt, dieses Produkt zu betreiben.



GEFAHR

- Tauchen Sie die Heizung nicht in Flüssigkeiten.
- Halten Sie flüchtige oder brennbare Stoffe von der Heizung entfernt, wenn sie in Betrieb ist
- Verwenden Sie die Heizung nur an zugelassenen Stellen.
- Halten Sie scharfe Metallgegenstände von der Heizung entfernt.

Nichtbeachtung dieser Warnungen kann zu Stromschlag, Brandgefahr und Verletzungen führen



VORSICH

- Handhaben Sie die Heizung nie, während sie in Betrieb ist. Trennen Sie die Heizung von der Stromquelle und lassen Sie sie vor der Handhabung abkühlen.
- Überprüfen Sie das Heizkabel und die Verbindungs-Kits vor der Inbetriebsetzung Wenn das Auslaufen von Fremdstoffen auf die Heizung erfolgte, trennen Sie die
- Heizung von der Stromquelle und reinigen Sie sie, nachdem sie abgekühlt ist.
- Betreiben Sie das Heizkabel niemals ohne eine entsprechende Wärmesenke (Wärmesenke ist das zu erwärmende Objekt).
- Betreiben Sie die Heizung nicht über der Nenntemperatur.
- Befestigen Sie die Heizung am Objekt nur mit zugelassenen Verfahren.
- Reparieren Sie keine beschädigten oder fehlerhaften Heizungen.
- Wenden Sie keine schwere Belastung am Heizkabel oder Netzkabel an und zerquetschen Sie es nicht.
- Trennen Sie die Heizung von der Stromversorgung, wenn sie nicht in Gebrauch ist.

Nichtbeachtung dieser Warnungen kann zu Verletzungen oder Beschädigungen des Produkts und/oder des Eigentums führen.



GEFAHR

Unmittelbare Gefahrenquellen, die zu schweren Verletzungen oder zum Tod führen **WERDEN**.



WARNUNG

Gefahren oder gefährliche Verhaltensweisen, die zu schweren Verletzungen oder zum Tod führen **KÖNNEN**.



VORSICH

Gefahren oder gefährliche Verhaltensweisen, die zu leichten Verletzungen oder Sachschäden führen **KÖNNEN**.



WARNUNG

Der Endbenutzer muss folgende Anforderungen erfüllen:

- Nur qualifiziertes Personal darf die elektrische Verdrahtungen anschließen
- Vor der Installation oder Wartung. Alle Stromkreise stromlos machen.
- Die Enden der Heizgeräte und die Komponenten der Kits vor und während der Installation trocken halten
- Die leitfähige Schicht dieses Heizgeräts muss an einem geeigneten Erdungsanschluss angeschlossen werden Durchführung der Installation gemäß lokaler, regionaler und Bundesvorschriften
- Die gesamte Verkabelung muss den lokalen Elektrovorschriften entsprechen und die Einhaltung des NEC Artikel 427 wird unbedingt empfohlen
- Die Person, welche die endgültige Installation und/oder Verdrahtung ausführt, muss für diese Arbeit qualifiziert sein
- Der Endbenutzer ist für die Bereitstellung eines geeigneten Trennschalters verantwortlich.
- Der Endbenutzer ist für die Bereitstellung einer geeigneten elektrischen Schutzeinrichtung verantwortlich
- Die Installation eines Fehlerstromschutzschalters wird dringend empfohlen

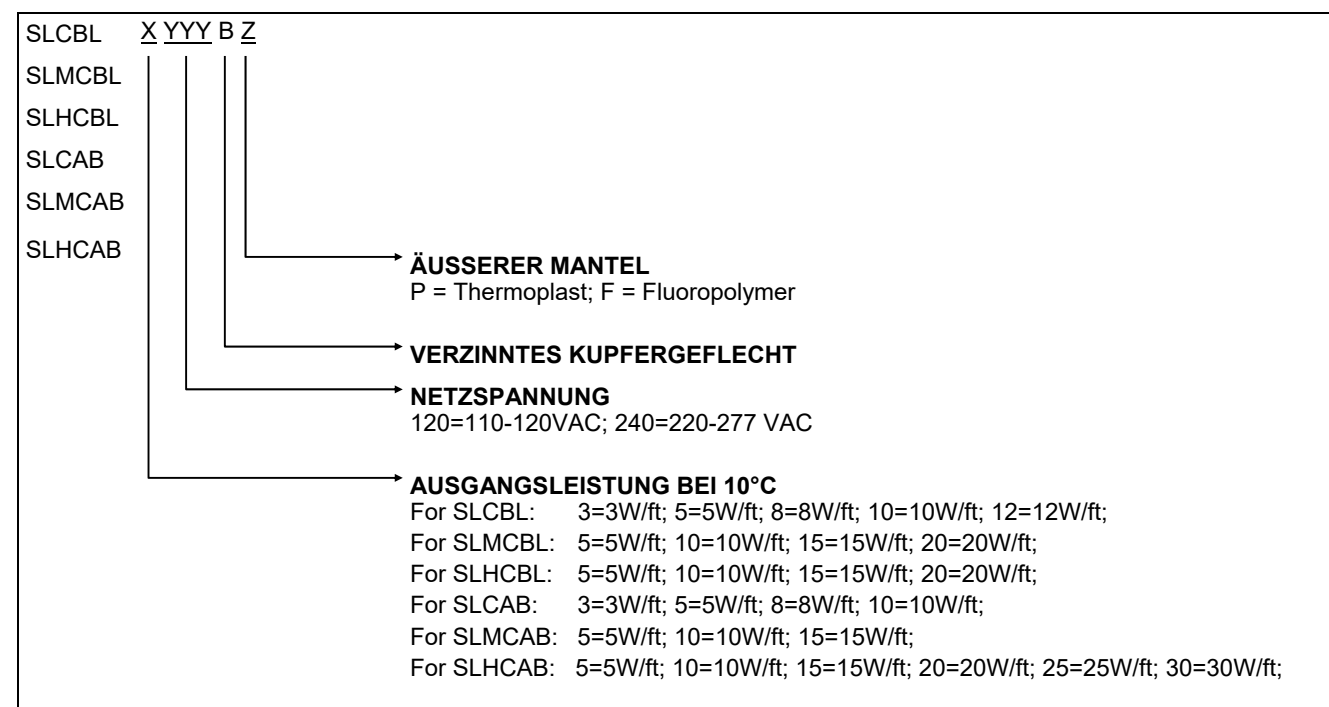
Nichtbeachtung dieser Warnungen kann zu schweren oder tödlichen Verletzungen führen.

VORGESEHENE VERWENDUNG

Für Installationen in den USA ist folgende Norm maßgeblich.

- IEEE 515.1 Installationstyp A, isolierte Oberflächen (einschließlich Rohre)
- IEEE 515.1 Installationstyp B, Dach- und Dachrinnenenteisung
- IEEE 515.1 Installationstyp C, Eingebettetes Schneeschmelzen

TEILENUMMERSTRUKTUR



TECHNISCHE PARAMETER

Schutzklasse: IP65

	Teilenummer	Leistung (W/Ft)	Spannung	Maximale intermittierende Expositionstemperatur:	Maximale Halte- oder Dauerexpositions-Temperatur
SLCBL	3240	3	208V bis 277V	85°C	65°C
	5240	5	208V bis 277V	85°C	65°C
	8240	8	208V bis 277V	85°C	65°C
	10240	10	208V bis 277V	85°C	65°C
	12240	12	208V bis 277V	85°C	65°C
	3120	3	110V bis 120V	85°C	65°C
	5120	5	110V bis 120V	85°C	65°C
	8120	8	110V bis 120V	85°C	65°C
	10120	10	110V bis 120V	85°C	65°C
12120	12	110V bis 120V	85°C	65°C	
SLMCBL	5240	5	208V bis 277V	135°C	110°C
	10240	10	208V bis 277V	135°C	110°C
	15240	15	208V bis 277V	135°C	110°C
	20240	20	208V bis 277V	135°C	110°C
	5120	5	110V bis 120V	135°C	110°C
	10120	10	110V bis 120V	135°C	110°C
	15120	15	110V bis 120V	135°C	110°C
20120	20	110V bis 120V	135°C	110°C	
SCHCBL	5240	5	208V bis 277V	200°C	120°C
	10240	10	208V bis 277V	200°C	120°C
	15240	15	208V bis 277V	200°C	120°C
	20240	20	208V bis 277V	200°C	120°C
	5120	5	110V bis 120V	200°C	120°C
	10120	10	110V bis 120V	200°C	120°C
	15120	15	110V bis 120V	200°C	120°C
20120	20	110V bis 120V	200°C	120°C	
SLCAB	3240	3	208V bis 277V	85°C	66°C
	5240	5	208V bis 277V	85°C	66°C
	8240	8	208V bis 277V	85°C	66°C
	10240	10	208V bis 277V	85°C	66°C
	3120	3	110V bis 120V	85°C	66°C
	5120	5	110V bis 120V	85°C	66°C
	8120	8	110V bis 120V	85°C	66°C
10120	10	110V bis 120V	85°C	66°C	
SLMCAB	3240	3	208V bis 277V	185°C	121°C
	5240	5	208V bis 277V	185°C	121°C
	8240	8	208V bis 277V	185°C	121°C
	10240	10	208V bis 277V	185°C	121°C
	3120	3	110V bis 120V	185°C	121°C
	5120	5	110V bis 120V	185°C	121°C
	8120	8	110V bis 120V	185°C	121°C
10120	10	110V bis 120V	185°C	121°C	
SLHCAB	5240	5	208V bis 277V	185°C	121°C
	10240	10	208V bis 277V	185°C	121°C
	15240	15	208V bis 277V	185°C	121°C
	20240	20	208V bis 277V	185°C	121°C
	25240	25	110V bis 120V	185°C	121°C
	30240	30	110V bis 120V	185°C	121°C
	5120	5	110V bis 120V	185°C	121°C
	10120	10	110V bis 120V	185°C	121°C
	15120	15	110V bis 120V	232°C	190°C
	20120	20	110V bis 120V	232°C	190°C
	25120	25	110V bis 120V	232°C	190°C
30120	30	110V bis 120V	232°C	190°C	

ALLGEMEINE INFORMATION

Dieses Handbuch ist für die Anwendung an den selbst regelnden Heizungsprodukten von BriskHeat ausgelegt. Für Anwendungen, die nicht ausdrücklich beschrieben sind, wenden Sie sich bitte an Ihren örtlichen Vertreter.

Wie Heizsysteme arbeiten

Ein System mit elektrischen Heizkabeln nutzt das Heizkabel, um die durch das Wärmeisolationssystem verlorene Wärme zu ersetzen. Durch den Ersatz der verlorenen Wärme kann das Rohr und das Produkt im Inneren des Rohres auf konstanter Temperatur gehalten werden. Dadurch wird Wasser vor dem Einfrieren und dadurch das Platzen eines Rohres oder eine Flüssigkeit vor dem Abbinden und Verstopfen des Rohres verhindert. Einfache Systeme können das gesamte System mit einem Schütz oder Schalter einschalten, während andere einen Thermostat an jedem Heizkabel verwenden, um die Temperatur zu regeln.

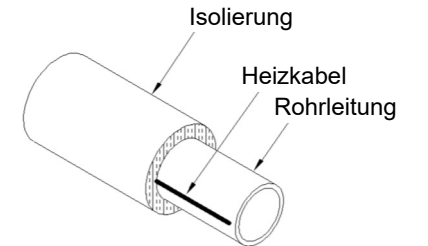


Abbildung 1

PRODUKTAUSWAHL

Konsultieren Sie das Werk von BriskHeat zur Unterstützung bei der Produktauswahl und Anwendungstechnik.

EINGANG UND LAGERUNG

Eingang

- Vergleichen Sie die empfangenen Teile gegen die Versandrechnung, um den Eingang des richtigen Materials zu überprüfen.
- Heizkabel und Komponenten auf Transportschäden prüfen. Isolationswiderstandsprüfungen an jeder Schleife des Kabels werden empfohlen.
- Wenn Entwurfsunterlagen (Materiallisten oder Stücklisten pro Schaltung) vorhanden sind, überprüfen Sie die empfangenen Materialien gegen diese Listen, um den Empfang aller benötigten Materialien zu sicherzustellen. Wenn keine Entwurfsunterlagen vorhanden sind, erstellen Sie ein Empfangsprotokoll über alle erhaltenen Materialien.

Lagerung

Kabel und Systemkomponenten sollten in einem sauberen, trockenen Bereich aufbewahrt werden. Die Gerätschaften sollten während der Lagerung vor mechanischen Beschädigungen geschützt werden. Der Lagertemperaturbereich beträgt -40 °C bis 60 °C (-40 °F bis 140 °F).

INSTALLATION

⚠️ WARNUNG

Während es viele akzeptable Möglichkeiten gibt, die elektrische Heizungsanlage von BriskHeat zu installieren, können bestimmte Aktionen sehr gefährlich für das Personal und Ihre Installationen sein. Bitte achten Sie darauf, die folgenden Probleme zu vermeiden:

- Verdrillen Sie nicht die jeweiligen Enden des Heizkabels nicht die Busleitungen. Jede dieser Leitungen kann Spannung führen oder ein Neutraleiter sein. Verdrillen verursacht einen Kurzschluss.
- Isolieren Sie das schwarze Polymer, das die Busdrähte umgibt. Die schwarze um die Busdrähte extrudierte Masse ist elektrisch leitend und sollte als Leiter behandelt werden.
- Alle elektrischen Anschlüsse im System sind gegen Feuchtigkeit abzudichten. Um elektrische Lichtbogen und Brandgefahren zu vermeiden, sollten alle Kabelverbindungen und elektrischen Verdrahtungsanschlüsse gegen Feuchtigkeit abgedichtet werden. Dazu gehören die Verwendung von passenden Kabelverschlusskits und die Feuchtigkeitsabdichtungen aller Drahtverbindungen.
- Setzen Sie die Heizkabel keinen Temperaturen über deren maximalen Nenntemperaturen aus. Höhere Temperaturen können die Lebensdauer eines Heizkabels stark verkürzen.
- Ersetzen Sie sofort irgendwelche beschädigte Heizkabel oder Komponenten. Unterlassung des Austauschs von beschädigten Heizkabeln, Komponenten oder Wärmedämmungen führt zu einem Systemausfall.
- Klassifizierte Bereiche (explosionsfähige Stäube oder Gase) erfordern die Verwendung von speziellen elektrischen Komponenten. Jeder Bereich mit explosiven Gasen (wie z. B. chemische/petrochemische Anlagen) oder mit explosiven Stäuben (wie bei der Handhabung von Kohle oder Granulat) benötigt spezielle Kabel, Anschluss- und Regelungskomponenten, die für den Einsatz in solchen Bereichen zugelassen sind. Die Installation von nicht zugelassenen Produkten kann zu Bränden oder Explosionen führen.
- Die Montage auf Kunststoffrohren erfordert besondere Erwägungen hinsichtlich Auswahl und Installation.

Wartungsplan

Die Installation der elektrischen Heizung muss mit der Rohrleitung, Isolierung und der elektrischen und mechanischen Gerätegruppen koordiniert werden. Sie sollte erst beginnen, nachdem die Mehrheit des mechanischen Aufbaus abgeschlossen ist. Die Druckprüfung des Rohres und die Montage der Geräte sollten vor dem Beginn der Heizkabelinstallation abgeschlossen sein.

Überprüfungen vor der Installation

Begehen Sie das System und planen Sie den Verlauf des Heizkabels. Verwenden Sie diese Prüfung, um den Abschluss der Instrumentierung und der mechanischen Arbeit zu überprüfen. Alle Beschichtungen (Lack etc.) müssen vor der Heizkabelinstallation trocken sein. Minimale Installationstemperatur ist -40 °C)

Handhabung der Heizung

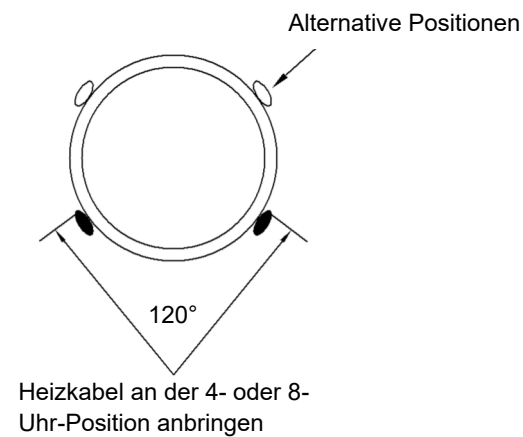
- Verwenden Sie einen Rollenhalter, um das Heizkabel herauszuziehen.
- Halten Sie das Kabel locker, aber in der Nähe des Rohres, an das es angelegt wird. Dies vermeidet Beeinträchtigungen an Abstützungen und anderen Geräten.
- Lassen Sie ein zusätzlich 305-457 mm des Heizkabels an allen Stromanschlüssen, T-Spleißen und Endabdichtungsverbindungen, um einfaches Arbeiten der Verbindungen zu erleichtern.
- **ZUSÄTZLICHES HEIZKABEL IST AUF VENTILEN, ROHRABSTÜTZUNGEN UND ANDEREN AUSRÜSTUNGEN ERFORDERLICH.** Siehe den Abschnitt Installationsdetails für genaue Längen und Installationsmethoden.
- Vermeiden Sie bei der Handhabung des Heizkabels es zu ziehen oder gegen scharfe Kanten zu montieren. Knicken oder zerquetschen Sie das Kabel nicht. Stehen Sie nicht darauf und fahren Sie nicht darüber.
- Unterschreiten Sie nicht den minimalen Biegeradius von 12 mm bei 20 °C während der Installation.
- Kältere Temperaturen erhöhen den minimalen Biegeradius. Achten Sie darauf, dass bei kalten Temperaturen der sichere Biegeradius nicht unterschritten wird.

Anbringung des Heizkabels

Das Heizkabel kann entweder in geraden Verläufen oder um das Rohr herum gewickelt angebracht werden. Umwickeln wird im Allgemeinen verwendet, wenn eine begrenzte Anzahl von Kabeltypen verfügbar ist.

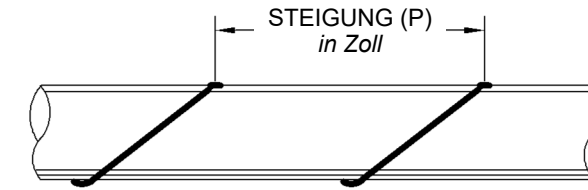
Gerader Verlauf

Wenn ein gerader Verlauf verwendet wird, installieren Sie das Heizkabel am unteren Viertel des Rohres. Dadurch wird verhindert, dass das Heizkabel durch das Hin- und Herbewegen von Objekten beschädigt wird und die Wärmeübertragung auf Materialien im Inneren des Rohres wird gefördert.



Umwickeln

Umwickeln erhöht die Länge des Heizkabels, das pro Rohrlänge installiert wird. Für die Unterstützung bezüglich der spiralförmigen Anwendung kontaktieren Sie bitte das Werk von BriskHeat.



Befestigung

Bei regulären Installationen kann das Heizkabel mit Glasfaserband befestigt werden. Es können auch Kunststoffkabelbänder verwendet werden, wenn der Kunststoff eine maximale Nenntemperatur aufweist, die gleich oder besser als die Systemanforderungen ist. Das Kabel sollte eng am Rohr anliegen und wie in *Abbildung 4* gezeigt in Abständen von 305 mm befestigt werden.

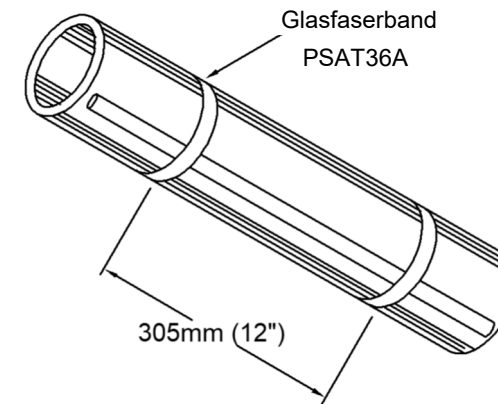


Abbildung 4

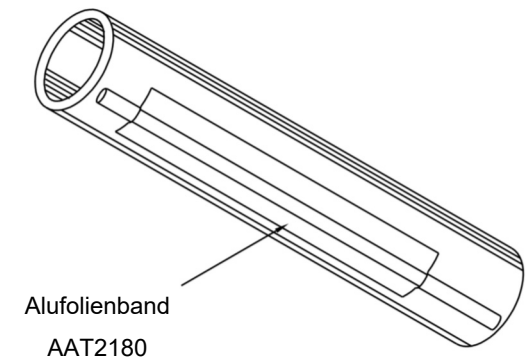


Abbildung 5

Hinweise:

1. Um Beschädigungen des Heizkabels zu vermeiden, dieses nicht mit Metallbändern, Draht, Vinyl-Elektroklebeband oder Standardklebeband befestigen.
2. Alufolienband sollte nur bei bestimmungsgemäßer Verwendung verwendet werden. Die Folie wird am häufigsten auf Kunststoffrohr verwendet, um den isolierenden Effekt des Kunststoffs auszugleichen. Siehe Abb. 5 oben

Kürzen des Heizkabels

Das Kabel erst abschneiden, wenn es an der Rohrleitung befestigt ist. Vor dem Schneiden des Kabels die Zulassungen für Abschlüsse, Anschlüsse und Wärmesenken (Ventile, Stützen usw.) bedenken. Die Heizkabelleistung wird durch die Kürzung nicht beeinträchtigt. Schützen Sie alle Heizkabelenden vor Feuchtigkeit oder mechanischen Beschädigungen, wenn sie längere Zeit freigesetzt werden..

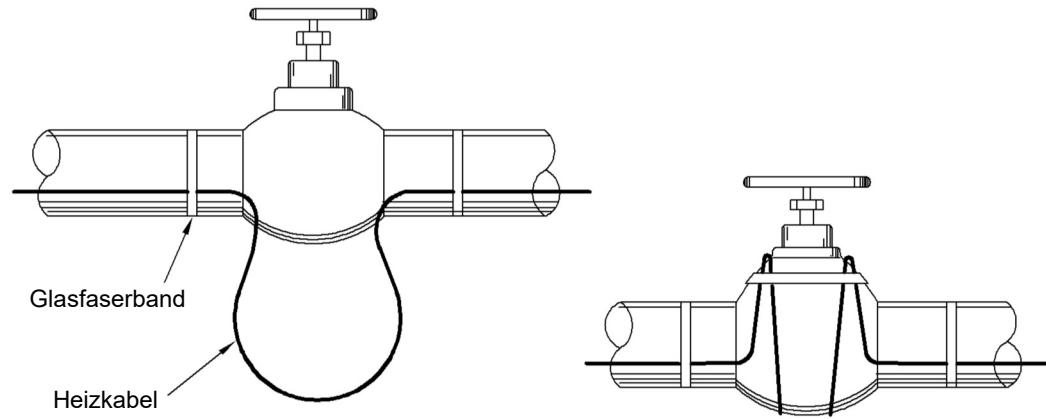
Installationsdetails

Heizkabel sollten so angelegt werden, dass das einfache Entfernen von Ventilen und kleinen Inline-Geräten erleichtert wird, ohne dass übermäßig Wärmedämmungen entfernt oder das Heizkabel abgeschnitten werden muss. Am Kabel an diesen Stellen eine Schleife vorzusehen ist der beste Weg, dies zu erreichen. Die Menge an Heizkabel, die auf jedem Ventil, Aufhängung etc. installiert ist, variiert mit der Rohrgröße und der Art des Gerätes. Für die Unterstützung bei der Installation und Anwendung wenden Sie sich bitte an BriskHeat.

Die folgenden Abbildungen zeigen Installationsdetails für verschiedene typische Situationen:

Venti

Typische Installationsmethode (kann bei verschiedenen Ventilformen variieren)



Glasfaserband
Heizkabel

Bogen

Das Heizkabel sollte auf dem Außenradius aller Bögen auf 51 mm (2") und größerem Durchmesser der Rohre positioniert werden.

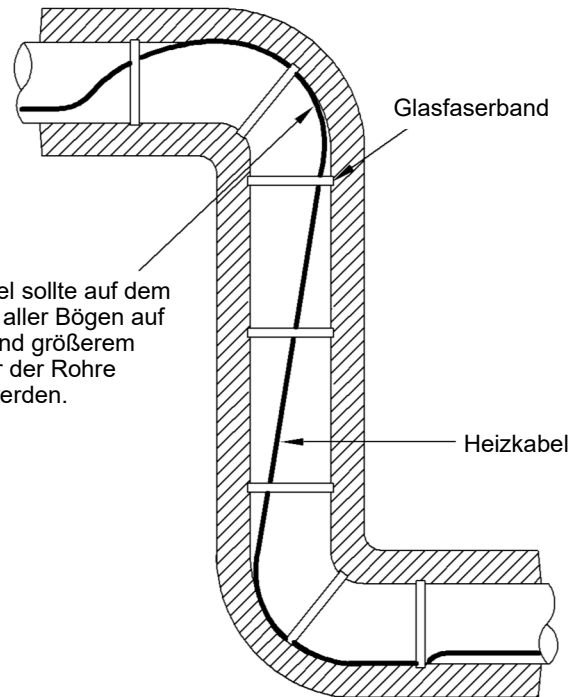


Abbildung 7

Flansch

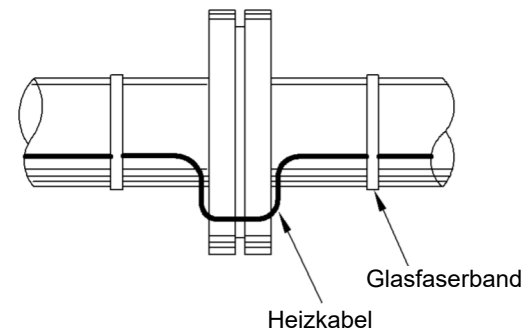
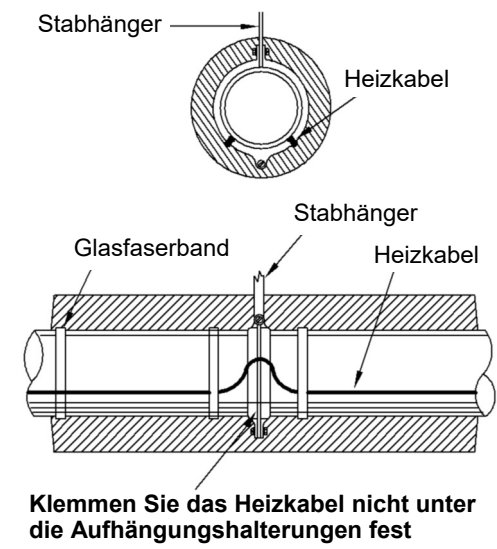


Abbildung 8

Aufhängungssupport



Klemmen Sie das Heizkabel nicht unter die Aufhängungshalterungen fest

Abbildung 9

Rohrschuhsupport

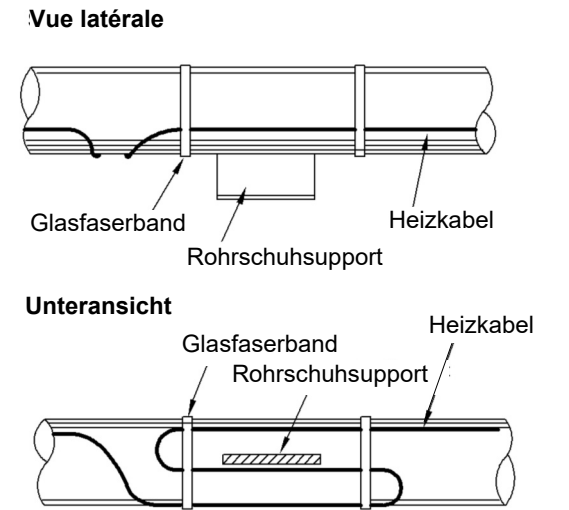


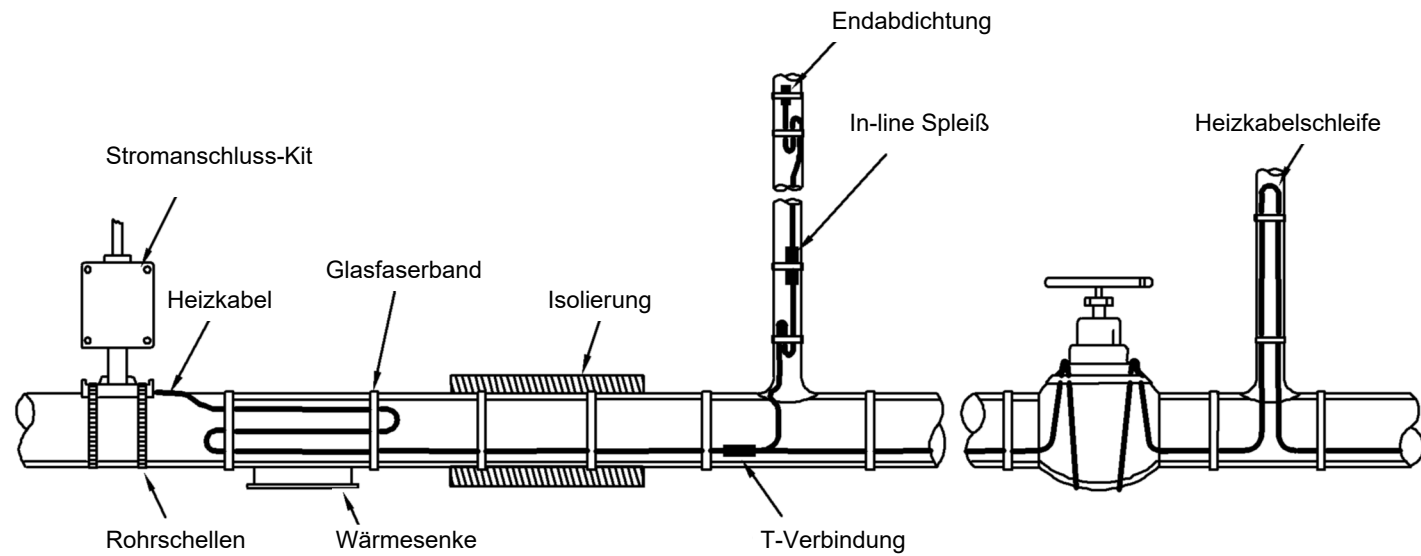
Abbildung 10

SYSTEMKOMPONENTEN

Es sollten nur BriskHeat zugelassene Abschluss-, Anschluss- und Spleißkits verwendet werden. Andernfalls erlischt die Gewährleistung und die Genehmigung durch Behörden. Installationsanweisungen in jedem Bauteil-Kit sind in Bezug auf Vorbereitung und Montage der Heizkabel zu beachten. Vor dem Herstellen der Stromanschlüsse sind die Endabdichtungen (Abschlüsse) und Spleißverbindungen herzustellen. Es wird empfohlen, alle Heizkabel so zu markieren, wie sie mit einer besonderen Schaltungsnummer installiert sind. Dies erleichtert die Identifizierung, die benötigten Komponenten und die elektrische Verdrahtung in späteren Phasen der Installation. Stromanschluss-Kits verwenden einen Adapter-Plattensatz für den Einbau auf Instrumentenrohrleitungen und Behältern. Installationsanleitung zur Befestigung ist im Lieferumfang enthalten.

⚠️ WARNUNG

Verbinden von Busleitungen erzeugt einen Kurzschluss.



Anmerkung: Für jedes Heizkabel sind Heizkabel-Stromanschlüsse und Endabdichtungen erforderlich. Heizkabel-Spleiße, T-Verbindungen und Thermostate werden nach Bedarf verwendet.

Abbildung 11

Kompatibilität der Systemkomponenten

	SLCBL	SLMCBL	SLHCBL	SLCAB	SLMCAB	SLHCAB
SLCBLUC	Ja Normale Einsatzorte und Dach und Dachrinne	Nein	Nein	Nein	Nein	Nein
SLCBLUC-GF	Ja Normale Einsatzorte und Dach und Dachrinne	Nein	Nein	Nein	Nein	Nein
SLCBLKC	Ja Normale Einsatzorte und Dach und Dachrinne	Nein	Nein	Nein	Nein	Nein
SLCBLSK	Ja Normale Einsatzorte und Dach und Dachrinne	Nein	Nein	Nein	Nein	Nein
PTBO-GET	Ja EX-Gefahren-Einsatzorte	Ja	Ja	Nein	Nein	Nein
JHE-GET	Ja EX-Gefahren-Einsatzorte	Ja	Ja	Nein	Nein	Nein
JHS-GET	Ja EX-Gefahren-Einsatzorte	Ja	Ja	Nein	Nein	Nein
JHT-GET	Ja EX-Gefahren-Einsatzorte	Ja	Ja	Nein	Nein	Nein
SLCABUC	Nein	Nein	Nein	Ja Normale und EX-Gefahren-Einsatzorte	Nein	Nein
SLCABSK	Nein	Nein	Nein	Ja Normale und EX-Gefahren-Einsatzorte	Nein	Nein
SLCABKC	Nein	Nein	Nein	Ja Normale und EX-Gefahren-Einsatzorte	Nein	Nein
SLMCABUC	Nein	Nein	Nein	Nein	Ja Normale und EX-Gefahren-Einsatzorte	Nein
SLMCABKC	Nein	Nein	Nein	Nein	Ja Normale und EX-Gefahren-Einsatzorte	Nein
SLCABUC-CSA-M	Nein	Nein	Nein	Ja Normale und EX-Gefahren-Einsatzorte	Ja Normale und EX-Gefahren-Einsatzorte	Nein
SLCABEND-CSA-2	Nein	Nein	Nein	Ja Normale und EX-Gefahren-Einsatzorte	Ja Normale und EX-Gefahren-Einsatzorte	Nein
ROOFKIT	Nein	Nein	Nein	Ja SLCAB-BP only	Nein	Nein
ROOFENDKIT	Nein	Nein	Nein	Ja SLCAB-BP only	Nein	Nein
SLCABPWP-H	Nein	Nein	Nein	Nein	Nein	Ja Normale und EX-Gefahren-Einsatzorte
SLCABKC-H	Nein	Nein	Nein	Nein	Nein	Ja Normale und EX-Gefahren-Einsatzorte

SLCBL Verbindungs-/Abschluss-Kits

Für normale Einsatzorte nur mit SLCBL-Kabel (UL genehmigt).

Für Anwendungen am Dach und an Dachrinnen zur Enteisung und Schneeschmelze nur mit SLCBL-Kabel (UL-geprüft).



Zulassungen sind nur gültig, wenn sie mit geeigneten Heizkabeln und Installationszubehör ausgeführt werden und gemäß den geltenden Anweisungen, Regeln und Vorschriften installiert sind.

SLCBLUC: SLCBL Stromanschluss-Kit

Kit Inhalt:



- | | |
|---|---|
| 2 Heizungsverlauf-Warnetiketten | 3 Kabelverbinder |
| 2 Enteisungs-Schneeschmelz-Warnetiketten | 1 Schwarzer Schrumpfschlauch 13 mm x 25 mm |
| 1 Rohrständer-Montagehalterung | 1 Grün/Gelber Schrumpfschlauch 6 mm x 15 cm |
| 1 Kontermutter | 2 Schwarzer Schrumpfschlauch 3 mm x 14 cm |
| 1 1/2" NPT-Dichtungsfitting mit Zugentlastung und Tülle | 1 Dichtung |
| | 1 Endabdichtung |

Genügend zur Fertigstellung:

Ein Stromanschluss und ein Endabschluss.

HINWEIS: Anschlussdosen und Rohrschellen sind separat erhältlich. Benötigt eine UL-gelistete Anschlussdose passend für die Montagestelle mit einem Durchgangsloch für ein 1/2" Rohr oder 1/2" NPT-Gewindebuchse. Für Heizkabel ohne Außenmantel (nur Typ B) muss eine metallische Anschlussdose verwendet werden, um eine ordnungsgemäße Erdung zu gewährleisten.

SLCBLUC-GF: Erdschluss-Stromanschluss-Kit

Kit Inhalt:



- | | |
|--|--|
| 2 Heizungsverlauf-Warnetiketten | 1 Schrumpfschlauch 19 mm x 20 cm |
| 2 Enteisungs-Schneeschmelz-Warnetiketten | 1 Schrumpfschlauch 19 mm x 13 cm |
| 1 Gewebeband | 2 Schrumpfschlauch 3 mm x 25 mm |
| 2 Mastikstreifen | 1 Schrumpfschlauch 13 mm x 25 mm |
| 2 Kabelbinder | 1 Schrumpfschlauch 8 mm x 38 mm |
| 2 Isolierte Crimpanschlüsse | 1 Erdschlussgerät mit 120V 3-poligem NEMA 5-15 Stecker Unisolierter Crimpanschluss |
| 1 Crimp-on non-insulated barrel | |

Genügend zur Fertigstellung:

Eine Erdschlusschutz-Stromversorgung mit Stromanschluss.

SLCBLKC: SLCBL Endabdichtungs-Kit

Kit Inhalt:



- | | |
|-----------------------------------|-----------------------------------|
| 2 Schrumpfkappen | 2 Geflechtüberwürfe 13 mm x 10 cm |
| 2 Schrumpfschläuche 19 mm x 13 cm | |

Genügend zur Fertigstellung:

Zwei Endanschlüsse.

SLCBLSK: SLCBL Spleiß- und T-Verbindungs-Kit

Kit Inhalt:



- | | | |
|------------------|--|-------------------------------|
| 1 Kabelbinder | 1 Schwarzer Schrumpfschlauch 25 mm x 20 cm | 2 Schrumpfkappen |
| 3 Kabelbinder | 3 Schwarze Schrumpfschläuche 13 mm x 25 mm | 1 Schrumpfschlauch |
| 1 Gewebeband | 6 Schwarze Schrumpfschläuche 3 mm x 25 mm | 1 Unisolierter Crimpanschluss |
| 5 Matic-Streifen | 2 Isolierte Crimpanschlüsse | 1 Endabdichtung |

Genügend zur Fertigstellung:

Eine Spleißverbindung und ein Endabschluss oder eine T-Stück-Verbindung und eine Endabschluss.

HINWEIS: Dieses Kit vervollständigt keinen Eingangstromanschluss.

SLCBL, SLMCBL, SLHCBL Verbindungs-/Abschluss-Kits

Für den Einsatz in EX-Gefahren-Bereichen nur mit den Kabeln SLCBL (BP, BF) (CSA zugelassen).

Für den Einsatz in Nicht-EX-Gefahren-Bereichen nur mit den Kabeln SLCBL, SLMCBL, SLHCBL (Nicht-CSA zugelassen).



Zulassungen sind nur gültig, wenn sie mit geeigneten Heizkabeln und Installationszubehör ausgeführt werden und gemäß den geltenden Anweisungen, Regeln und Vorschriften installiert sind.

Explosionsgefährdete (klassifizierte) Einsatzorte
Klasse I, Abteilung 2, Gruppen A, B, C, D
Klasse II, Abteilung 2, Gruppen E, F, G
Klasse III

PTBO-GET: SLCBL-, SLMCBL-, SLHCBL-Netzanschlusskit mit Achteckgehäuse

Kit Inhalt:



- | | |
|---|---|
| 1 Achteck-Anschlussdose mit Stromanschlussklemmen | 1 M25x1,5 IP68 Abdichtungsfitting |
| 1 Rohrständer-Halterung | 2 Wasserdichtungstüllen |
| 2 Rohrschellen | 1 Wasserdichtungsstopfen |
| 1 Kontermutter | 2 Grün/Gelbe Schrumpfschläuche 6 mm x 15 cm |
| 1 Dichtung | 2 Schwarze Schrumpfschläuche 3 mm x 14 cm |

Genügend zur Fertigstellung:

Eingangsstromverbindung

JHE-GET: SLCBL, SLMCBL, SLHCBL Endabdichtungs-Kit mit geringer Bauhöhe

Kit Inhalt:



- | |
|-------------------------------------|
| 1 Endabdichtungsgehäuse |
| 1 Wasserdichtungstülle |
| 3 Druckdichtungsenden mit Schrauben |

Genügend zur Fertigstellung:

Endabschlusskit mit geringer Bauhöhe.

JHS-GET: SLCBL-, SLMCBL-, SLHCBL-Spleißverbindungs-Kit mit geringer Bauhöhe

Kit Inhalt:



- | |
|-------------------------------------|
| 1 In-Line-Spleißgehäuse |
| 2 Wasserabdichtungen |
| 2 Gehäusedeckel mit Schrauben |
| 2 Wasserdichtungstüllen |
| 2 Druckdichtungsenden mit Schrauben |

Genügend zur Fertigstellung:

Spleißverbindung mit geringer Bauhöhe.

JHT-GET: SLCBL, SLMCBL, SLHCBL T-Verbindungs-Kit mit geringer Bauhöhe

Kit Inhalt:



- | |
|-------------------------------------|
| 1 T-Spleißgehäuse |
| 2 Wasserabdichtungen |
| 2 Gehäusedeckel mit Schrauben |
| 3 Wasserdichtungstüllen |
| 3 Druckdichtungsenden mit Schrauben |

Genügend zur Fertigstellung:

Eine T-Verbindung mit geringer Bauhöhe

HINWEIS: Dieses Kit vervollständigt keinen Eingangstromanschluss.

FM-ZUGELASSENES SLCAB Verbindungs-/Abschluss-Kit

KITS

SLCABUC: SLCAB Universalanschlusskit. FM zugelassen.

- 1 3/4" (13 mm) NPT-Rohrständer
- 2 Ringkabelschuhe
- 4 Große isolierte Crimpanschlüsse
- 2 Kleine isolierte Crimpanschlüsse
- 2 Rohrschellen (für bis zu 6" (152mm) IPS-Rohr)
- 2 Schrumpfdkappen
- 1 6" (152mm) Schrumpfhülse
- 1 89-ml-Tube RTV-Dichtmittel
- 1 Rolle Glasfaserband
- 1 Warnetikett
- 1 Erdungsschraube



Normale Einsatzorte
Explosionsgefährdete (klassifizierte) Einsatzorte
Klasse I, Abteilung 2, Gruppe B, C, D
Klasse II, Abteilung 2, Gruppe F, G
Klasse III, Abteilung 2

Zulassungen sind nur gültig, wenn sie mit geeigneten Heizkabeln und Installationszubehör ausgeführt werden und gemäß den geltenden Anweisungen, Regeln und Vorschriften installiert sind.

Genügend zur Fertigstellung:

Zwei Endabschlüsse und eine Eingangsverbindung oder ein Stromeingangs-Spleiß

HINWEIS: Benötigt eine 3/4" (19 mm) NPT-Anschlussdose

SLCABSK: SLCABSK.-Kit FM zugelassen.

- 20 Große gelbe Crimpanschlüsse
- 20 Große blaue Crimpanschlüsse
- 10 Schrumpfschlauch
- 1 89-ml-Tube RTV-Dichtmittel

Genügend zur Fertigstellung:

Zehn Eingangsstromverbindungen, oder zehn T-Stückspleiße

SLCABKC: SLCAB-Endabdichtungskit. FM zugelassen.

- 10 Schrumpfschlauch

Genügend zur Fertigstellung:

Zehn Endabschlüsse

FM-ZUGELASSENES SLCAB-Verbindungs-/Abschluss-Kit

KITS

SLMCABUC: SLMCAB Universalanschlusskit. FM zugelassen.

- 1 3/4" (13 mm) NPT-Rohrständer
- 2 Ringkabelschuhe
- 3 Große isolierte Crimpanschlüsse
- 2 Kleine isolierte Crimpanschlüsse
- 2 Rohrschellen (für bis zu 6" (152mm) IPS-Rohr)
- 2 Endschutzmanschetten
- 1 89-ml-Tube RTV-Dichtmittel
- 1 Rolle Glasfaserband
- 1 Warnetikett
- 1 Erdungsschraub



Normale Einsatzorte
Explosionsgefährdete (klassifizierte) Einsatzorte
Klasse I, Abteilung 2, Gruppe B, C, D
Klasse II, Abteilung 2, Gruppe F, G
Klasse III, Abteilung 2

Zulassungen sind nur gültig, wenn sie mit geeigneten Heizkabeln und Installationszubehör ausgeführt werden und gemäß den geltenden Anweisungen, Regeln und Vorschriften installiert sind.

Genügend zur Fertigstellung:

Zwei Endabschlüsse und eine Eingangsverbindung oder ein Stromeingangs-Spleiß

SLMCABKC: SLMCAB-Endabdichtungskit. FM zugelassen.

- 10 Endmanschetten
- 4 Rollen Glasfaserband
- 1 89-ml-Tube RTV-Dichtmittel

Genügend zur Fertigstellung:

Zehn Eingangsstromverbindungen, oder zehn T-Stückspleiße

CSA-ZUGELASSENES SLCAB und SLMCAB Verbindungs-/Abschluss-Kit

KITS

SLCABUC-CSA-M: SLCAB and SLMCAB Universal Connection Kit. CSA approved.

- 1 Verbindungskörper
- 1 Verbindungskappe
- 2 Verbindungsstopfbuchenscheiben
- 1 Tülle
- 1 Endmanschette
- 1 Zugentlastungsgriff
- 1 Ständerhalterung
- 1 Kontermutter
- 1 Abschlussblock
- 1 Rolle Glasfaserband
- 1 Silikondichtmittel
- 1 Rohrschelle (für 2" bis 6" (51 bis 152mm) AD-Rohre)
- 1 Ringkabelschuhe
- 1 Endabdichtungskit



Ordinary Locations 130-03 (-G,-W, -S)
Hazardous (Classified) Locations
Class I, Division 1[†] and 2, Group B, C, D
Class II, Division 1[†] and 2, Group E, F, G
Class III, Division 1[†] and 2
3, 5, 8 W/ft T6
10 W/ft T5

Zulassungen sind nur gültig, wenn sie mit geeigneten Heizkabeln und Installationszubehör ausgeführt werden und gemäß den geltenden Anweisungen, Regeln und Vorschriften installiert sind.

* 2E nur genehmigt für 3 Watt/ft und 5 Watt/ft

Genügend zur Fertigstellung:

Ein Eingangsanschluss und ein Endabschluss. Spleiße und Stromzuführungsspleiße können mit zwei Kits hergestellt werden.

HINWEIS: Benötigt eine 3/4" (19 mm) NPT-Anschlussdose

SLCABEND-CSA-2: SLCAB und SLMCAB Endabdichtungskit. CSA zugelassen.

- 1 Endkappe
- 1 Klammer
- 1 Dichtmittel

Genügend zur Fertigstellung:

Ein Endabschluss

CSA-ZUGELASSENES SLHCAB Verbindungs-/Abschluss-Kit

KITS

SLCABPWP-H: SLHCAB Power Connection Kit für Rohre. CSA approved.

- 1 Base
- 1 Oben
- 2 Anschlussdose
- 1 Dichtungstülle (großes Loch)
- 1 Dichtungstülle (kleines Loch)
- 1 Dichtung
- 2 Schrumpfschläuche 1/8 "x 51/2" (schwarz)
- 1 Schrumpfschlauch 1/4 "x 51/2" (grün / gelb)
- 1 Schrumpfschlauch 1/2 "x 11/2" (weiß)
- 1 Sicherungsring
- 1 Adapter (zur Installation an Rohrleitungen kleiner als 1 ")
- 1 Edelstahl-Bindedraht



Ordinary Locations 130-03 (-G,-W,-S)
Hazardous (Classified) Locations
Class I, Division 1[†] and 2, Groups B, C, D
Class II, Division 1[†] and 2, Groups E, F, G
Class III, Division 1[†] and 2
3, 5, 8 W/ft T6
10 W/ft T5

Zulassungen sind nur gültig, wenn sie mit geeigneten Heizkabeln und Installationszubehör ausgeführt werden und gemäß den geltenden Anweisungen, Regeln und Vorschriften installiert sind.

Genügend zur Fertigstellung:

Ein Eingangsanschluss und ein Endabschluss. Spleiße und Stromzuführungsspleiße können mit zwei Kits hergestellt werden.

HINWEIS: Benötigt eine 3/4" (19 mm) NPT-Anschlussdose

SLCABKC-H: SLHAB Endabdichtungskit. CSA zugelassen.

- 1 Endkappe
- 1 Klammer
- 1 Dichtmittel

Genügend zur Fertigstellung:

Ein Endabschluss

[†] CI/D1-Zulassung nur für BF. Wenden Sie sich an einen BriskHeat-Vertreter, um Informationen zu Gefahrenbereichssystemen der Division I zu erhalten.

THERMISCHE ISOLIERUNG

Überprüfungen vor der Installation

Inspect the heating cable and components for correct installation and possible damage. In particular, verify that: Überprüfen Sie das Heizkabel und die Komponenten auf korrekte Montage und eventuelle Beschädigungen. Vergewissern Sie sich insbesondere, dass:

- Die richtigen zusätzlichen Längen des Heizkabels wurde an jedem Ventil, Flansch, Rohrstütze etc. installiert und es ist frei von physischen Kerben, Rissen oder Furchen. Zusätzliche Kabellängen über der angegebenen Menge an einer Wärmesenke ist wegen der Selbstregulierung des Heizkabels kein Problem
- Anschlüsse, Spleiße und Endabdichtungen sind korrekt eingebaut, inklusive Kabelabdichtungen an Klemmgehäusen
- Stellen Sie sicher, dass die Isolierung für die maximale Aussetzungsstemperatur des beheizten Systems richtig bewertet ist.

Installation

Überprüfen Sie die Wärmedämmung und Dicke auf die Auslegungskriterien. Änderungen im Typ oder in der Dicke der Wärmedämmung können eine andere Heizkabel-Leistung erfordern. Vergewissern Sie sich, dass alle Rohrleitungen, einschließlich Wanddurchführungen, Beschläge usw. vollständig isoliert sind.

Überprüfen Sie das System, um Folgendes sicherzustellen:

- Isolierung ist nicht nass von Niederschlägen vor der Anwendung des Wetterschutzes.
- Überlappende Verbindungen an senkrechten Rohrleitungen sind richtig überlappt - höheres Stück über die Oberseite überlappt das untere Stück.
- An überlappenden Fugen werden Banddichtungen verwendet, um das Eindringen von Wasser zu verhindern.
- Eindringungen in die Verschalung (Ventilschäfte, Aufhängungsstangen usw.) sind gut gegen Wasser abgedichtet
- Unregelmäßig geformte Gegenstände (Pumpen usw.) gut gegen Wasser abgedichtet.

Um die Beschädigung des Heizkabels zu minimieren, installieren Sie so schnell wie möglich die Wärmedämmung. Es wird empfohlen, nach Abschluss der Installation der Wärmedämmung einen weitere Isolationswiderstandsmessung durchzuführen, um zu überprüfen, dass das Heizkabel währenddessen nicht beschädigt wurde.

Markierung

Installieren Sie "Elektrischer Heizungsverlauf"-Schilder an abwechselnden Seiten der Rohrleitungen in regelmäßigen Abständen, als Warnung für Wartungspersonal. Die Außenseite der Isolierung dauerhaft mit der Lage der Heizkabelkomponenten markieren. Dies erleichtert die Wartung im Falle eines Problems.

THERMOSTATE UND SENSOREN

Temperatempfindliche Anwendungen erfordern die Verwendung einer Thermostatregelung. Die Auswahl des richtigen Thermostaten muss die Spannung und die Stromstärke des Gerätes sowie die Eignung des Gehäuses für die Umwelt berücksichtigen (explosionsschutz, regendicht, korrosionsbeständig usw.). Das Thermostatgehäuse sollte so nah wie möglich am Stromanschlusskit montiert werden. Es kann an dem Stromanschlusskit angeschlossen werden, wenn die Vorschriften und Regeln hinsichtlich der Kabelkanalabdichtung etc. erfüllt sind. Um die kühlste Lufttemperatur zu erfassen, sollten die Umgebungsluftthermostate möglichst im Schatten montiert werden. Bei Verwendung von Rohrsensor -Thermostaten sollte der Sensor auf der gegenüberliegenden Seite des Rohres vom Heizgerät oder so weit entfernt wie es praktisch möglich ist montiert werden. Dadurch kann der Thermostat die tatsächliche Rohrtemperatur erfassen und wird nicht durch die Heiztemperatur beeinflusst. Montieren Sie den Sensor möglichst mindestens 1 m von der nächstgelegenen Wärmesenke entfernt.

Feuchtigkeit im Inneren des Gehäuses verursacht sowohl Korrosion als auch Probleme mit Kurzschlüssen. Das Potenzial für diese Art von Problem kann stark reduziert werden durch:

- Richtige Abdichtung aller Gehäuseöffnungen.
- Gehäuseabdeckungen werden geschlossen gehalten und so weit wie möglich während der Installationsreihenfolge gesichert.
- Richtiges Schließen und Abdichten der Abdeckung, um Leckagen in das Gehäuse zu verhindern.
- Verwendung eines Feuchtigkeitsschutzes/ Elektrospühdichtmittel auf Thermostat und elektrischen Anschlüssen (einschließlich aller Metallteile) nach Abschluss der Installation.
- Anschluss und Verwendung von Raumheizung, wenn der Thermostat dafür ausgestattet ist. Die Raumheizung während der Sommermonate nicht deaktivieren.

ANFORDERUNGEN AN DIE STROMVERSORGUNG

Spannungswert

Vergewissern Sie sich, dass die Heizkabel-Nennspannung für die verwendete Stromversorgung geeignet ist. Kabel mit 240 Volt Nennspannung können von 208 bis 277 Volt verwendet werden, mit einer begleitenden Änderung der Leistungsabgabe.

Elektrische Belastung

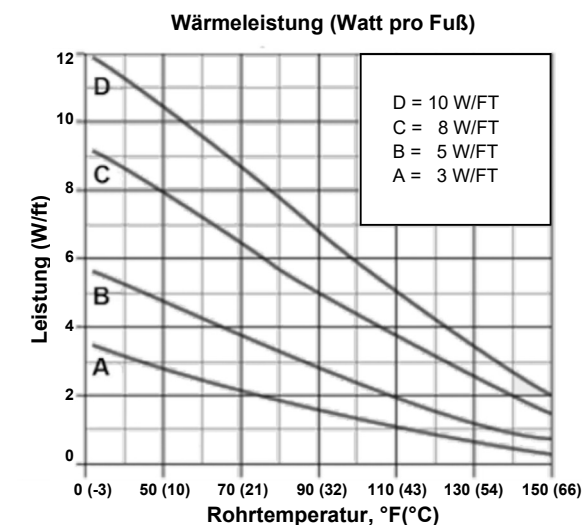
Überstromschutzgeräte, die in Abbildung 12 und 13 dargestellt sind. Wenn Geräte andere als normale thermische, magnetische Leistungsschalter sind, wenden Sie sich bitte an das Werk.

(Für den Einbau in USA) müssen alle mitgelieferten Leistungsschalter mit einem Referenzschild identifiziert werden, das angibt, welcher Zweigkreis die Schaltungen für die Heizkabelsätze liefert.

SLCAB

Maximale Schaltungslänge in Fuß gegen Leistungsschaltergröße

Heizkabel-Typ	Leistungsschalter-Größe	Starttemperatur		
		50°F (10°C)	0°F (-18°C)	-20°F (-29°C)
SLCAB3120	15 A	300	200	180
	20 A	-	270	230
	30 A	-	330	330
SLCAB3240	15 A	660	410	360
	20 A	-	560	480
	30 A	-	660	660
SLCAB5120	15 A	230	150	130
	20 A	270	200	175
	30 A	-	270	260
SLCAB5240	15 A	460	300	260
	20 A	540	400	345
	30 A	-	540	520
SLCAB8120	15 A	150	95	85
	20 A	200	125	100
	30 A	210	190	170
	40 A	-	210	210
SLCAB8240	15 A	295	195	170
	20 A	390	250	225
	30 A	420	375	340
SLCAB10120	15 A	115	70	60
	20 A	150	95	85
	30 A	180	145	120
	40 A	-	180	165
SLCAB10240	15 A	230	150	130
	20 A	305	200	175
	30 A	360	300	260
	40 A	-	360	360



Spannungseinstellfaktoren

Spannungseinstellfaktor		
Produkttyp	208 VAC	277 VAC
SLCAB3240	0.75	1.28
SLCAB5240	0.86	1.16
SLCAB8240	0.91	1.10
SLCAB10240	0.93	1.08

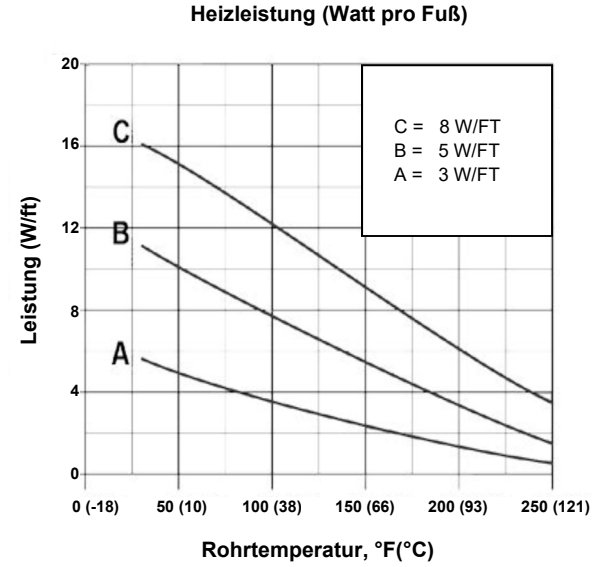
Abbildung 12

SLMCAB

Maximale Schaltungslänge in Fuß gegen Leistungsschaltergröße

Heizkabel-Typ	Leistungs-schalter-Größe	Starttemperatur		
		50°F (10°C)	0°F (-18°C)	-20°F (-29°C)
SLMCAB5120	15 A	150	135	130
	20 A	200	180	170
	30 A	240	220	210
SLMCAB5240	15 A	250	230	220
	20 A	330	305	295
	30 A	480	440	420
SLMCAB10120	15 A	90	85	80
	20 A	120	110	105
	30 A	180	165	160
SLMCAB10240	15 A	140	130	125
	20 A	190	175	170
	30 A	280	260	250
SLMCAB15120	15 A	70	65	60
	20 A	90	85	80
	30 A	130	125	120
SLMCAB15240	15 A	100	95	90
	20 A	135	125	120
	30 A	200	185	180

Abbildung 13



Spannungseinstellfaktoren

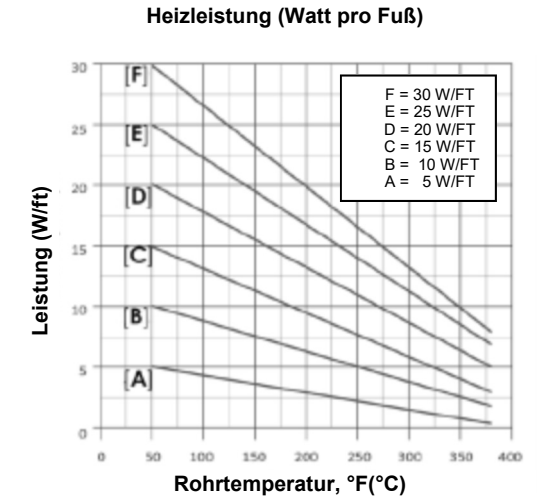
Spannungseinstellfaktor		
Produkttyp	208 VAC	277 VAC
SLMCAB5240	0.78	1.25
SLMCAB10240	0.86	1.16
SLMCAB15240	0.92	1.09

SLHCAB

Maximale Schaltungslänge in Fuß gegen Leistungsschaltergröße

Heizkabel-Typ	Leistungs-schalter-Größe	Starttemperatur		
		50°F (10°C)	0°F (-20°C)	-50°F (-45°C)
SLHCAB5120	10 A	240	140	115
	15 A	320	220	190
	20 A	330	265	225
SLHCAB5240	10 A	485	275	232
	15 A	643	436	377
	20 A	660	530	449
SLHCAB10120	10 A	162	105	80
	15 A	249	170	127
	20 A	265	215	164
SLHCAB10240	10 A	324	209	160
	15 A	498	337	255
	20 A	530	433	328
SLHCAB15120	10 A	123	54	52
	15 A	177	90	82
	20 A	200	115	103
SLHCAB15240	20 A	406	229	206
	30 A	420	350	275
	40 A	420	350	320
SLHCAB20120	10 A	75	45	35
	15 A	121	65	55
	20 A	150	80	70
SLHCAB20240	20 A	295	164	141
	30 A	315	215	170
	40 A	360	215	215
SLHCAB25120	10 A	55	30	25
	15 A	90	45	45
	20 A	115	60	50
SLHCAB25240	20 A	229	124	98
	30 A	229	158	120
	40 A	240	158	158
SLHCAB30120	20 A	229	124	98
	30 A	229	158	120
	40 A	240	158	158
SLHCAB30240	20 A	229	124	98
	30 A	229	158	120
	40 A	240	158	158

Abbildung 14



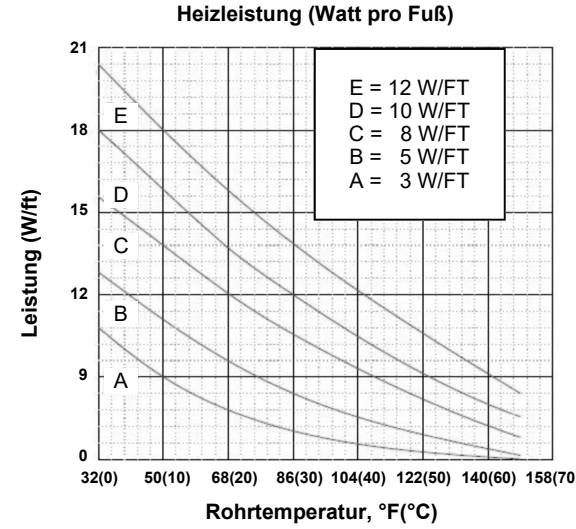
Spannungseinstellfaktoren

Leistungsfaktor (Watt / Fuß)		
Produkttyp	208 VAC	277 VAC
SLHCAB10240	0.88	1.14
SLHCAB20240	0.94	1.08
SLHCAB30240	0.99	1.01

SLCBL

Maximale Schaltungslänge in Fuß gegen Leistungsschaltergröße

Heizkabel-Typ	Leistungs schalter-Größe	Starttemperatur			
		50°F (10°C)	32°F (0°C)	-4°F (-20°C)	-40°F (-40°C)
SLCBL3120	10 A	240	200	140	115
	15 A	320	300	220	190
	20 A	330	320	265	225
	30 A	330	320	280	265
	40 A	330	320	280	265
SLCBL3240	10 A	485	396	275	232
	15 A	643	606	436	377
	20 A	660	643	530	449
	30 A	660	643	557	530
	40 A	660	643	557	530
SLCBL5120	10 A	162	135	105	80
	15 A	249	215	170	127
	20 A	265	252	215	164
	30 A	265	252	240	200
SLCBL5240	10 A	324	269	209	160
	15 A	498	429	337	255
	20 A	530	505	433	328
	30 A	530	505	480	400
SLCBL8120	10 A	123	100	54	52
	15 A	177	145	90	82
	20 A	200	180	115	103
	30 A	210	180	175	135
SLCBL8240	10 A	246	203	108	104
	15 A	354	291	183	164
	20 A	406	360	229	206
	30 A	420	360	350	275
SLCBL10120	10 A	75	55	45	35
	15 A	121	85	65	55
	20 A	150	105	80	70
	30 A	155	120	105	85
SLCBL10240	10 A	147	111	85	68
	15 A	242	177	131	114
	20 A	295	216	164	141
	30 A	315	246	215	170
SLCBL12120	10 A	55	40	30	25
	15 A	90	60	45	45
	20 A	115	80	60	50
	30 A	115	90	80	60
SLCBL12240	10 A	111	78	59	49
	15 A	183	124	91	85
	20 A	229	160	124	98
	30 A	229	180	158	120
SLCBL1240	10 A	111	78	59	49
	15 A	183	124	91	85
	20 A	229	160	124	98
	30 A	229	180	158	120



Spannungseinstellfaktoren

Watt/ft Leistungseinstellfaktor		
Produkttyp	208 VAC	277 VAC
SLCBL3240	0.82	1.13
SLCBL5240	0.85	1.12
SLCBL8240	0.89	1.08
SLCBL10240	0.89	1.08
SLCBL12240	0.89	1.08

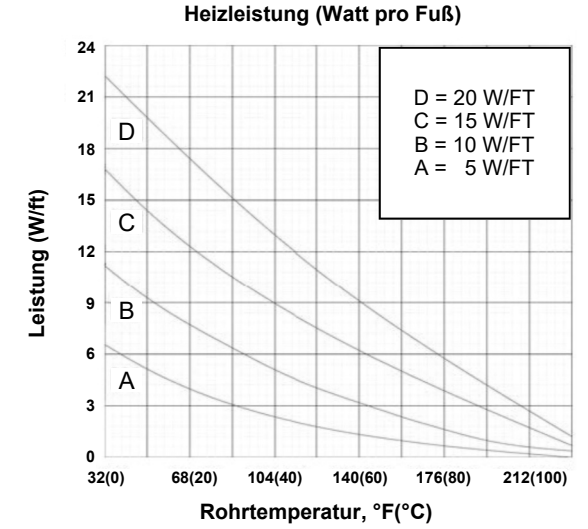
Einstellfaktor für max. Schaltungslänge		
Produkttyp	208 VAC	277 VAC
SLCBL3240	0.96	1.08
SLCBL5240	0.94	1.09
SLCBL8240	0.92	1.11
SLCBL10240	0.92	1.11
SLCBL12240	0.92	1.11

Abbildung 15

SLMCBL

Maximale Schaltungslänge in Fuß gegen Leistungsschaltergröße Wärmeleistung (Watt pro Fuß)

Heizkabel-Typ	Leistungs schalter-Größe	Starttemperatur			
		50°F (10°C)	32°F (0°C)	-4°F (-20°C)	-40°F (-40°C)
SLMCBL5120	10 A	110	80	-	-
	15 A	133	105	98	90
	20 A	195	160	148	138
	30 A	210	195	170	165
	40 A	210	195	183	180
SLMCBL5240	10 A	220	160	145	135
	15 A	265	210	195	180
	20 A	390	320	295	275
	30 A	420	390	365	360
	40 A	420	390	340	330
SLMCBL10120	10 A	75	73	-	-
	15 A	100	95	80	70
	20 A	133	148	125	100
	30 A	174	180	156	130
SLMCBL10240	10 A	150	145	121	114
	15 A	200	190	160	140
	20 A	265	295	249	200
	30 A	347	360	311	280
SLMCBL15120	10 A	57	51	-	-
	15 A	94	87	57	54
	20 A	120	108	71	69
	30 A	154	133	80	80
SLMCBL15240	10 A	114	101	68	65
	15 A	187	173	114	108
	20 A	239	216	141	137
	30 A	308	265	180	173
SLMCBL20120	10 A	51	41	-	-
	15 A	82	72	51	49
	20 A	102	90	67	61
	30 A	131	115	84	74
SLMCBL20240	10 A	101	82	62	55
	15 A	164	144	101	98
	20 A	203	180	134	121
	30 A	262	229	167	147
SLMCBL2240	10 A	101	82	62	55
	15 A	164	144	101	98
	20 A	203	180	134	121
	30 A	262	229	167	147



Spannungseinstellfaktoren

Watt/ft Leistungseinstellfaktor		
Produkttyp	208 VAC	277 VAC
SLMCBL5240	0.84	1.20
SLMCBL10240	0.85	1.18
SLMCBL15240	0.91	1.09
SLMCBL20240	0.90	1.07

Einstellfaktor für max. Schaltungslänge		
Produkttyp	208 VAC	277 VAC
SLMCBL5240	0.95	1.04
SLMCBL10240	0.94	1.06
SLMCBL15240	0.91	1.10
SLMCBL20240	0.91	1.11

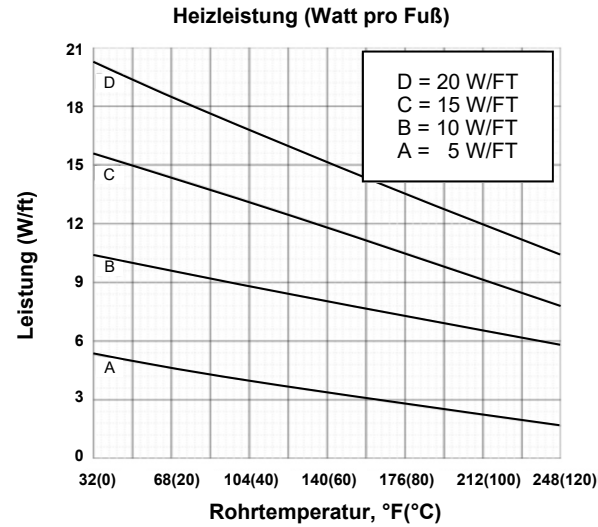
Abbildung 16

SLHCBL

Maximale Schaltungslänge in Fuß gegen Leistungsschaltergröße

Heizkabel-Typ	Leistungs-schalter-Größe	Starttemperatur			
		50°F (10°C)	32°F (0°C)	-4°F (-20°C)	-40°F (-40°C)
SLHCBL5120	10 A	120	110	105	90
	15 A	180	175	158	143
	20 A	240	215	190	180
	30 A	259	245	240	225
	40 A	266	255	250	240
SLHCBL5240	10 A	240	220	210	180
	15 A	360	350	315	285
	20 A	479	430	380	360
	30 A	518	490	480	450
	40 A	531	510	500	480
SLHCBL10120	10 A	73	69	65	58
	15 A	118	110	98	88
	20 A	148	140	130	118
	30 A	220	200	182	175
	40 A	255	240	220	230
SLHCBL10240	10 A	146	138	130	116
	15 A	236	220	195	175
	20 A	295	280	260	235
	30 A	440	400	364	350
	40 A	510	480	440	460
SLHCBL15120	10 A	50	47	42	40
	15 A	75	65	63	60
	20 A	100	90	83	80
	30 A	143	135	125	120
	40 A	190	175	168	160
SLHCBL15240	10 A	100	93	83	80
	15 A	150	130	125	120
	20 A	200	180	165	160
	30 A	285	270	250	240
	40 A	380	350	335	320
SLHCBL20120	10 A	39	33	34	32
	15 A	58	55	50	48
	20 A	75	71	68	63
	30 A	115	105	100	95
	40 A	153	143	133	125
SLHCBL20240	10 A	77	70	67	63
	15 A	115	110	100	95
	20 A	150	142	135	125
	30 A	230	210	200	190
	40 A	306	286	265	250

Abbildung 17



Spannungseinstellfaktoren

Watt/ft Leistungseinstellfaktor		
Produkttyp	208 VAC	277 VAC
SLHCBL5240	0.87	1.07
SLHCBL10240	0.88	1.08
SLHCBL15240	0.88	1.08
SLHCBL20240	0.86	1.07

Einstellfaktor für max. Schaltungslänge		
Produkttyp	208 VAC	277 VAC
SLHCBL5240	0.99	1.08
SLHCBL10240	0.99	1.06
SLHCBL15240	0.98	1.06
SLHCBL20240	1.00	1.08

Erdschlusschutz:

Erdschlussunterbrecher sind bei allen Heizungsausführungen entsprechend NEC erforderlich. Typischerweise sind 30-mA-Unterbrecher aufgrund kapazitiver Leckagen der Heizkabelkonstruktion erforderlich.

Wasserabdichtung

Das Eindringen von Feuchtigkeit in die elektrische Anlage ist die einzige größte Problemquelle in einem Heizkabelsystem. Daher ist besonders auf die ordnungsgemäße Abdichtung aller elektrischen Anschlüsse und Spleiße zu achten. Die Heizkabel-Dichtungssätze sorgen für eine sichere Abdichtung für das Heizkabel selbst, wenn sie entsprechend der Anleitung verwendet werden. Alle anderen elektrischen Anschlüsse (Heizstromversorgungsanschlüsse, Thermostatanschlüsse, Schalttafel- und Unterbrecheranschlüsse etc.) sind in gewisser Weise abgedichtet oder feuchtigkeitsbeständig. Um jegliches Eindringen von Feuchtigkeit an Verbindungen zu reduzieren, sollte entweder ein Mastikschumpfschlauch oder ein Elektroisolerdichtmittelspray verwendet werden. Der Dichtstoff wird auch das Potenzial für Korrosion an frei liegenden Teilen reduzieren Metallteile.

PRÜFUNG

Empfehlungen

Elektrische Prüfungen werden an bestimmten Stellen beim Empfang und bei der Installation des Heizkabels empfohlen. Diese regelmäßige Prüfung ist so ausgelegt, dass der Aufwand für verschwendete Arbeiten im Falle einer Beschädigung des Produkts verhindert wird. Die Kosten für die Installation und Wärmedämmung des Kabels sind viel größer als für das Heizkabel selbst. Die schnelle Erkennung von Heizkabelschäden ist der wirtschaftlichste Ansatz für eine Installation. Ein Isolationswiderstandstest wird an folgendem Punkt des Installationsvorgangs empfohlen:

- BEIM EMPFANG des Heizkabels
- VOR der Installation der WÄRMEDÄMMUNG
- SOFORT NACH der Installation der WÄRMEDÄMMUNG
- Als Teil eines PERIODISCHEN WARTUNGSPROGRAMMS

Verfahren

Der Isolationswiderstandstest dient zur Kontrolle der Beschädigung von extrudierten Mänteln. Anschlüsse für die Isolationsmessung werden vorgenommen wie in *Abb. 18 und 19* gezeigt.

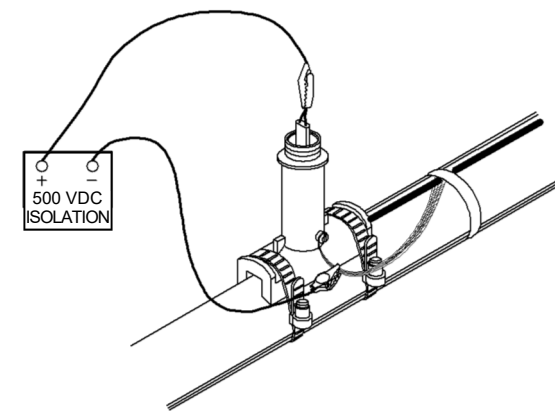


Abbildung 18

FÜR HEIZKABEL MIT GEFLECHT
Messung vom Heizkabelbus zum Geflecht

Anmerkung: Für den Test sollte mindestens ein 500-VDC-Isolationsmessgerät verwendet werden. Verwenden Sie kein Isolationsmessgerät mit über 2500 VDC. Minimal akzeptable Messwerte sollten 20 Megohm pro Schaltung unabhängig von der Länge sein.

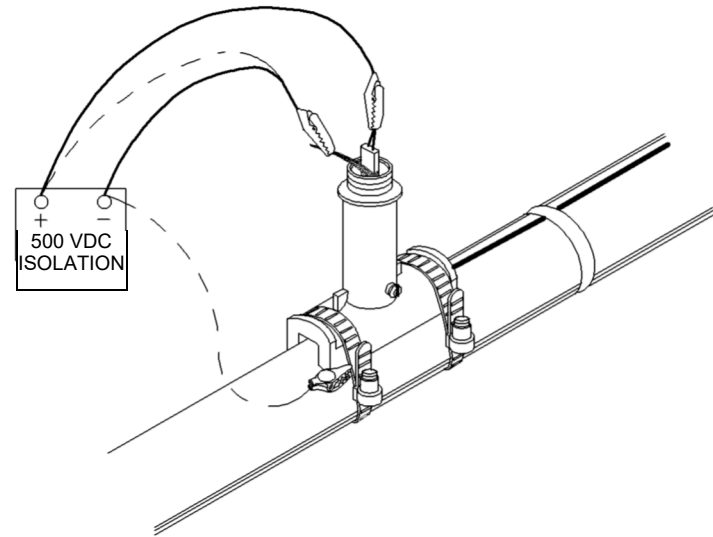


Abbildung 19

FÜR HEIZKABEL MIT GEFLECHT UND AUSSENMANTEL

Test A - (durchgezogene Linien) von Heizkabel-Busdrähten zum Geflecht.

Test B - (gestrichelte Linien) vom Geflecht zum Metallrohr.

Eine Aufzeichnung sollte von den Messungen aufbewahrt werden, die von der Zeit stammen, als das Kabel zuerst auf dem Rohr installiert wurde. Eine Aufzeichnung der Isolationswiderstandsmessungen kann beim Erkennen eines Feuchtigkeitseintritts in das elektrische System hilfreich sein (indem ein allmählicher Abfall des Isolationswiderstandes oder eine physikalische Beschädigung des Heizkabels (starker Abfall des Isolationswiderstandes) beobachtet wird. Ein Beispieldatensatz hierfür ist in *Abbildung 20 dargestellt*. (Siehe folgende Seite).

BRISKHEAT PERIODISCHES INSPEKTIONSprotokoll

Schaltungsnummer
Heizungstyp
Schaltungslänge

Frostschutzschaltung -

Führen Sie diese Kontrollen in der Jahreszeit durch, die eine Kontrolle erfordern.

Temperatur-Erhaltungsschaltungen -

Führen Sie diese Kontrollen mindestens zweimal pro Jahr durch.

Wartungsprüfungen für _____ Monat _____ Jahr _____							
Sichtkontrolle im Anschlusskasten Korrosion, Feuchtigkeit etc.	Anfänglich Datum						
Schäden oder Risse (Leaks) in der Isolierung Dichtungen an Ventilen, Aufhängungen, Pumpen usw.	Anfänglich Datum						
Heizkabel richtig angeschlossen und Heizkabel und Anschlüsse isoliert vom Anschlusskasten.	Anfänglich Datum						
Thermostat geprüft auf Feuchtigkeit, Korrosion, Sollwert, Schaltfunktion und Kapilar-Rohrschäden	Sollwert						
	Anfänglich Datum						
Isolationswiderstandsmessung an Stromanschluss mit beiden Busleitungen getrennt vom Stromanschluss.	Messung						
	Anfänglich Datum						
Schaltspannung am Stromanschluss.	Messung						
Schaltungsstrom nach 5 Minuten	Messung						
Rohrtemperatur zum Zeitpunkt der Strommessung.	Messung						
Watts/Ft.							
$\frac{\text{Volts} \times \text{Amps}}{\text{Fuß}} = \text{w/ft.}$	Anfänglich						
	Datum						
Alle Anschlüsse, Boxen und Thermostate wurden erneut abgedichtet	Anfänglich Datum						
Endabdichtungen, bedeckte Spleiße und TStücke sind auf der Isolationsverkleidung markiert	Anfänglich						
	Datum						

Remarks & Comments							

Abbildung 20
Periodisches Inspektionsprotokollformular

PERIODIC INSPECTION RECORD FORM

Das periodische Inspektionsprotokollformular kann auf zwei Arten verwendet werden:

1. **Ein Blatt pro Schaltkreis** - Die Ergebnisse der periodischen Inspektionen eines einzelnen Schaltkreises werden in vertikalen Spalten, beginnend auf der linken Seite und nach rechts arbeitend eingetragen. Dies ermöglicht einen einfachen Vergleich von Prüfwerten für bis zu sieben Prüfsequenzen eines einzelnen Schaltkreises.
2. **Eine Schaltung pro Spalte** - Prüfdaten für einer einzelner Prüfsequenz von bis zu sieben Schaltungen können auf einem einzigen Blatt protokolliert werden.

HOCHFAHREN

Aufheizdauer

Die Aufheizkapazität (die Fähigkeit, das Rohr mit dem Inhalt schnell zu heizen) ist normalerweise nicht in dem System angegeben. Kalt - Aufheizzeiten sollten eine ausreichende Zeit für das Erreichen der gewünschten Temperatur des Rohrs vorsehen.

Diversitätsfaktor

Wenn die elektrische Versorgungsleistung eingegrenzt ist, kann ein Diversitätsfaktor in einer Kaltstartsituation verwendet werden (Versuch, das gesamte System bei sehr kaltem Wetter zu starten). Dies wird erreicht, indem die anfängliche Einschaltung der Heizkabelschaltungen sequentiell erfolgt, damit Einschaltströme nicht auf einmal auftreten.

BEDIENUNG UND WARTUNG

Systemdesign, Installation und Dokumentation

Das Heizkabelsystem muss ordnungsgemäß ausgelegt, installiert und dokumentiert sein. Diese Dokumentation sollte mindestens Teilaufstellungen und die Standortidentifikation enthalten. Montagezeichnungen sind das optimale Werkzeug zur Wartung. Prüfprotokolle sollten auch als Teil der Anforderung hinsichtlich der Systemdokumentation betrachtet werden. Siehe Abb. 20 und 21

Vorbeugende Wartung

Es wird ein vorbeugendes Wartungsprogramm benötigt, das sowohl die visuelle als auch die elektrische Prüfung des Systems umfasst. Diese sollten nicht nur vor der Inbetriebnahme des Systems, sondern auch auf einer geplanten Basis erfolgen. Die Prüfungen sollten auch nach Durchführung einer Wartung durchgeführt werden.

Visuelle Inspektion

- Wärmedämmung - Überprüfen Sie den Wetterschutz auf Beschädigungen, fehlende Dichtungen, Risse oder Lücken in Dichtungs- und Mastixbeschichtungen und auf beschädigte oder fehlende Verschalungen. Wenn Schäden vorliegen, muss die Wärmedämmung repariert oder ersetzt und dann wieder versiegelt werden. **NASSE WÄRMEDÄMMUNGEN HABEN SCHLECHTE ISOLIEREIGENSCHAFTEN UND MÜSSEN DESHALB TROCKEN GEHALTEN WERDEN.** Wenn die Isolierung beschädigt ist, überprüfen Sie das Heizkabel auf Beschädigung und ersetzen Sie den beschädigten Abschnitt.
- Überprüfen Sie Anschlussdosen, Verbindungsdosen und Thermostate auf Korrosion, Feuchtigkeit oder Fremdkörper
- Überprüfen die Dichtheit der elektrischen Anschlüsse, ordnungsgemäße elektrische Isolierung von Heizkabelleitungen, angemessene Feuchtigkeitsabdichtung an elektrischen Anschlüssen und dass sich mindestens 25 mm der elektrische Isolation der Heizung über dem Erdungsanschluss erstreckt. Keine Drähte des Erdungsgeflechts sollten über diesem Anschluss frei liegen.
- Überprüfen Sie alle Thermostats- oder Sensorkapillarleitungen, ob sie festgebunden und vor Beschädigungen geschützt sind.
- Vergewissern Sie sich, dass alle Abdeckungen von Gehäusen, Anschlussdosen usw. ordnungsgemäß geschlossen sind und dass der Thermostat aus- und einschaltet, indem Sie den Stromfluss in der Schaltung messen, wenn das Gerät eingeschaltet wird. Setzen Sie den Wähler nach Beendigung des Tests auf die richtige Temperatur zurück.

Häufigkeit

Die Inspektionen sollten vor dem Beginn der kalten Jahreszeit an Gefrierschutzsystemen erfolgen. Prozess-Wartungs-Systeme sollten auf einer häufigen Basis, mindestens zweimal jährlich überprüft werden.

Ausbildung des Personals

Zur Aufrechterhaltung des Systems muss qualifiziertes Wartungspersonal eingesetzt werden. Es wird empfohlen, regelmäßige Ausbildungsprogramme durchzuführen, um das Wartungspersonal auf dem neuesten Stand zu halten.

Wartung

Die Heizkabel benötigen keine Wartung. An mechanischen Temperaturregelungen sollten einmal jährlich auf alle Metallteile mit einer feuchtigkeitsabweisenden/ korrosionshemmenden Schicht besprüht werden.

Rohrleitungsreparaturen

Trennen Sie während der Reparatur den elektrischen Anschluss vom Heizkabel und schützen Sie ihn vor mechanischer oder thermischer Beschädigung. Überprüfen Sie die Heizkabelinstallation nach den Reparaturen nach festgelegten Verfahren. Tauschen Sie das Wärmedämmsystem aus und dichten Sie es ab.

BESCHÄDIGTE PRODUKTE

Versuchen Sie nicht, ein beschädigtes Heizkabel zu reparieren - ersetzen Sie den gesamten Abschnitt. Fehlerströme zerstören oft die Busleitungs-/Kernmaterialschnittstelle zwischen dem beschädigten Teil und dem Spannungsversorgungsende der Schaltung.

Ersetzen Sie sofort das beschädigte Heizkabel. Die Feuchtigkeitsmigration im guten Abschnitt des Heizkabels kann nach der Reparatur des beschädigten Abschnitts zu einem Kurzschluss in diesem Kabel führen.

Jedes Produkt, das Feuer oder Flammen ausgesetzt wurde, sollte sofort aus dem Betrieb genommen und ersetzt werden. Weitere Brandschäden können bei Stromzuführung entstehen.

FEHLERBEHEBUNGSANLEITUNG

SYMPTOME	MÖGLICHE URSACHE	BEHEBUNG
A. Leistungsschalter - Auslösung (Standard)	<ol style="list-style-type: none"> 1. Leistungsschalter zu niedrig bemessen 2. Schaltung überdimensioniert 3. Anfahren bei zu niedriger Temperatur. 4. Defekter Leistungsschalter 5. Verbindungen und/oder Spleiße können ausfallen. 6. Eine physische Beschädigung des Heizkabels kann zu einem Kurzschluss führen. 7. Leitungsanschluss an der Endabdichtung. 	<ol style="list-style-type: none"> 1, 2, 3. Wiederherstellen, was die aktuellen Lasten sein werden und die Größe der Leistungsschalter ändern. * 4. Leistungsschalter ersetzen 5, 6. Falsche Verbindungen, Spleiße oder beschädigte Abschnitte des Heizkabels lokalisieren und reparieren. ** Isolationswiderstand per Installationsanweisung messen. 7. Leitungen trennen und eine Stromprüfung auf eventuelle andere Schäden durchführen.
B. Leistungsschalter - Auslösung (Erdableitungstyp)	<ol style="list-style-type: none"> 1. Alles von Abschnitt A. 2. Übermäßige Feuchtigkeit in Anschlusskästen oder Spleißen. 3. Feuchte Heizungs- oder Stromzuführungsdrähte einkerben oder einschneiden. 	<ol style="list-style-type: none"> 1. Alles von Abschnitt A. 2. Austrocknen und Verbindungen und Spleiße neu abdichten. Isolationswiderstand gemäß Installationsanleitung (20 Megohm min.) messen. An den Anschlüssen außerhalb der Wärmedämmung zuerst arbeiten, dann nach innen auf die darunter liegenden Isolationsverbindungen und Abdichtungen 3. Beschädigtes Heiz- oder Stromversorgungskabel lokalisieren und reparieren oder ersetzen. **

* Überprüfen Sie, ob der Querschnitt der vorhandenen Netzkabel mit größeren Leistungsschaltern kompatibel ist.

** Um Kurzprobleme zu finden, gehen Sie folgendermaßen vor:

1. Prüfen Sie die Stromanschlüsse und Spleiße, die sich außerhalb der Wärmedämmung befinden, auf ordnungsgemäße Installation.
2. Überprüfen Sie Ventile, Pumpen und jeden Bereich, wo Wartungsarbeiten geleistet wurden, visuell auf Anzeichen von Schäden.
3. Suchen Sie nach eingedrückt oder beschädigten Wärmedämmungen, die entlang des Rohrs liegen.
4. Überprüfen Sie die Heizkabel-Spleiße unter solch einer Wärmedämmung.
5. Wenn Sie das Problem jetzt nicht gefunden haben, müssen Sie jeweils einen Abschnitt des Heizkabels eingrenzen, bis Sie den allgemeinen Bereich des Schadens bestimmen können. Zur Eingrenzung trennen Sie irgendwelche T-Verbindungen oder Spleiße und entfernen Sie dann von diesem Bereich die Wärmedämmung, bis der spezifische Schaden gefunden wird. Bei langen Kabellängen kann es notwendig sein, das Kabel in Hälften zu trennen, um den kurzgeschlossenen Bereich einzugrenzen.

SYMPTOME	MÖGLICHE URSACHE	BEHEBUNG
C. Die Ausgangsleistung ist null oder niedriger als die Nennleistung. ***	1. Niedrige oder keine Eingangsspannung.	1. Elektrische Versorgungsleitungen und Ausrüstung reparieren
	2. Schaltung ist kürzer als das Design zeigt. a. Spleiße oder T-Verbindungen sind möglicherweise nicht angeschlossen. b. Heizkabel wurde eventuell getrennt.	2. Verlegung und die Länge des Heizkabels prüfen, ("wie gebaut") verwenden und den Strombedarf neu berechnen. a. Stromversorgung anschließen und überprüfen. b. Beschädigtes Heizkabel lokalisieren und reparieren. Stromversorgung erneut prüfen.
	3. Unsachgemäße Crimpung verursacht eine Verbindung mit hohem Widerstand.	3. Anschlüsse erneut mit dem korrekten Verfahren crimpen.
	4. Der Regelthermostat ist als Schließer verdrahtet.	4. Als Öffner neu verdrahten.
	5. Rohr hat eine erhöhte Temperatur.	5. Rohrtemperatur überprüfen und die Ausgabe neu berechnen.***
	6. Heizkabel wurde übermäßiger Feuchtigkeit ausgesetzt.	6,7. Heizkabel ersetzen.
	7. Heizkabel wurde übermäßiger Temperatur ausgesetzt.	
D. Die Leistung scheint korrekt zu sein, aber die Rohrtemperaturen liegen unter dem Bemessungswert.	1. Isolierung ist nass.	1. Wärmedämmung entfernen und mit einer trockenen ersetzen und für eine sichere Wetterbeständigkeit sorgen.
	2. Heizkabel wurde auf Ventilen, Stützen und anderen Wärmesenken unzureichend verwendet.	2. Mit zusätzlichem Heizkabel verlängern, aber nicht über die maximale Schaltungslänge gehen.
	3. Thermostat wurde falsch eingestellt.	3. Thermostat zurücksetzen.
	4. Es sind thermische Design-Inkonsistenzen vorhanden.	4. Mit den örtlichen oder Vertretern vom Werk die Designbedingungen überprüfen. Wie empfohlen verändern.

*** Die Leistungsabgabe bei Kabeln mit niedrigem Widerstand ist temperaturempfindlich und erfordert eine spezielle Vorgehensweise zur Bestimmung des Wertes.

- Rohrtemperatur unter der Wärmedämmung prüfen.
- Heizkabel 10 Minuten lang stabilisieren lassen und dann den Strom messen.
- Berechnen Sie die Leistung (Watt/m) des Heizkabels, indem Sie den Strom mit der Eingangsspannung multiplizieren und durch die tatsächliche Schaltungslänge dividieren

$$\frac{I \times V}{Ft.} = \frac{\text{Watts}}{Ft.}$$

- Vergleichen Sie diesen Messwert mit den Leistungsausgangskurven für das Heizkabel bei der gemessenen Rohrtemperatur. Wenn die tatsächliche Leistung des Heizkabels wesentlich unter der theoretischen Leistung liegt, wurde die Busleitungsschnittstelle mit dem Kern durch den Fehlerstrom beschädigt und das Kabel muss ersetzt werden. Dies ist keine sehr genaue Methode der Analyse und ist somit für das Ermessen des Vergleichs der theoretischen mit den tatsächlichen Werten zu verwenden.

HEIZUNGS-INSTALLATIONSprotokoll

1. Schaltkreisnr. _____	Datum _____
2. Erhaltene Dokumentation	Einheit
A. Kabeltyp _____	DESIGN
B. Kabellänge _____	EFFEKTIV
3. Eingangsprüfung	Datum _____
A. Auf physischen Schaden prüfen	O.K. _____ Beschädigung _____
B. Durchgangsprüfung Überprüfen Sie den Durchgang zwischen den Stromzuführungen	O.K. _____ Offen _____
C. Isolationsmessung mit 500 VDC mindestens, 2500 VDC empfohlen, zwischen Leitungen und dem Mantel, 20 Megohm min.	Megohms _____
D. Los-Nr.	Nr. _____
4. Prüfung nach Installation	Datum _____
A. Durchgangsprüfung Durchgangsprüfung zwischen kalten Leitungen	O.K. _____ Offen _____
B. Isolationsmessung mit 500 VDC mindestens, 2500 VDC empfohlen, zwischen Leitungen und dem Mantel, 20 Megohm min.	Megohms _____
C. Sichtkontrolle vor der Kabelinstallation vor der Freigabe für die Installation der Wärmedämmung.	Visuelle Prüfung O.K. _____
5. Final Testing and Commissioning	Datum _____
A. Schaltung zur Prüfung durch den Kunden freigegeben	Genehmigt _____
B. Isolationsmessung mit 500 VDC mindestens, 2500 VDC empfohlen, zwischen Leitungen und dem Mantel, 20 Megohm min	Megohms _____
C. Unter Spannung stehende Prüfung (Alle Testdaten innerhalb von 10 % der Designdaten)	
1. Schaltungsspannung _____	DESIGN
2. Anfangsstrom _____	EFFEKTIV
3. Strom nach 15 Min. Betrieb _____	
4. Strom nach 30 Min. Betrieb _____	
5. Rohrtemperatur _____	
6. Schaltungszustimmung _____	

Diese Schaltung wurde gemäß den oben genannten Daten geprüft und dokumentiert. Diese Schaltung durch:

Auftragnehmer _____ Datum _____

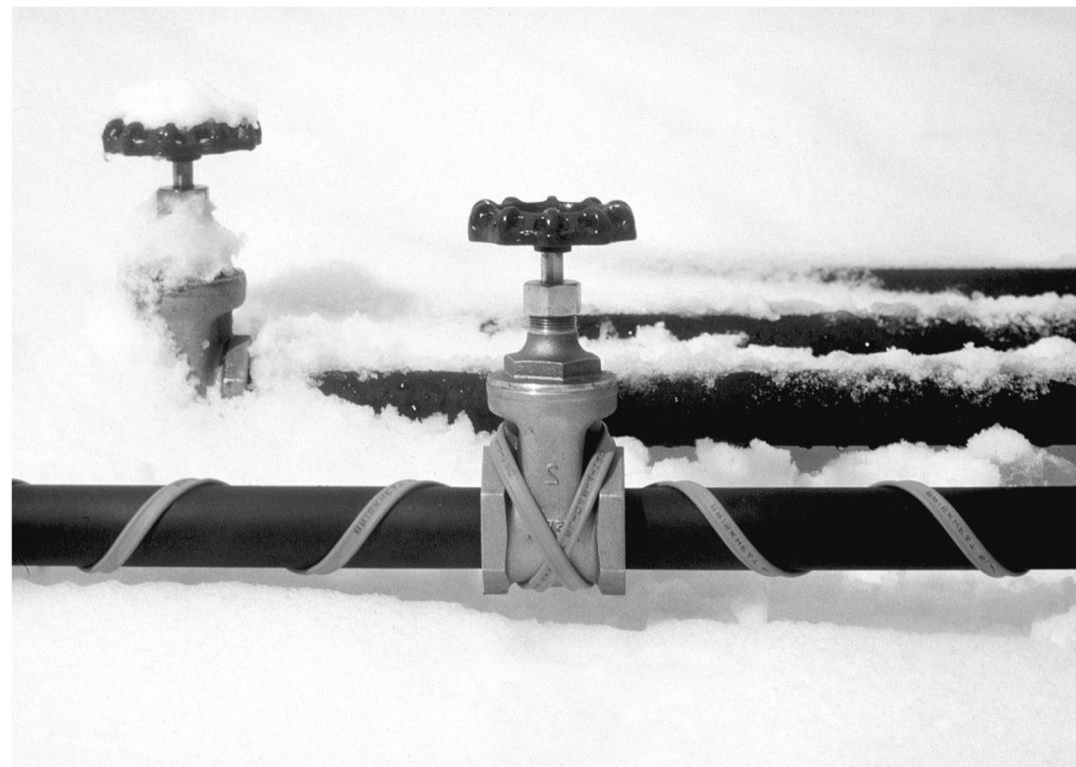
Das **Heizungs-Installationsprotokoll** kann zur Überwachung der anfänglichen Installation und zur Prüfung des Prozesses verwendet werden. Dieses Formular kann in Verbindung mit dem in Abbildung 20 gezeigten **Periodischen Inspektionsprotokoll** verwendet werden.

Abbildung 21

HINWEIS**GARANTIEINFORMATION**

BriskHeat[®] garantiert dem ursprünglichen Käufer dieses Produkts für den Zeitraum von achtzehn (18) Monaten ab Versanddatum oder von zwölf (12) Monaten ab Installationsdatum, je nachdem, was zuerst eintritt. Die Verpflichtung von BriskHeat und der ausschließliche Rechtsbehelf im Rahmen dieser Gewährleistung beschränken sich auf die Reparatur oder den Austausch von Teilen des Produkts, die nach bestimmungsgemäßer Verwendung und Wartung und die sich bei der Prüfung von BriskHeat als defekt erweisen. Die vollständigen Details der Garantie finden Sie online unter www.briskheat.com oder bei uns unter Kontaktieren Sie das Werk unter +1-800-848-7673 (gebührenfrei in U.S.A. und Kanada) oder +1-614-614-294 (weltweit) für vollständige Details.

BriskHeat[®]
CorporationFirmensitz:
4800 Hilton Corporate Dr.
Columbus, OH 43232, U.S.A.Europa
P.O. Postfach 420124
44275 Dortmund, DeutschlandGebührenfrei: 800-848-7673
Telefon: 614-294-3376
Fax: 614-294-3807
E-mail: bhtsales1@briskheat.com



Cavo scaldante autoregolante

Manuale di installazione e di istruzioni di manutenzione

CONSERVARE QUESTE ISTRUZIONI.

Ulteriori copie di questo manuale sono disponibili su richiesta.



È necessario leggere e comprendere questo manuale prima di installare, mettere in funzione e eseguire la manutenzione su questo prodotto. L'incapacità di comprendere queste istruzioni potrebbe causare un incidente e quindi gravi lesioni o morte.

Conservare queste istruzioni per riferimento futuro.

INDICE

IMPORTANTI ISTRUZIONI DI SICUREZZA	131
USO PREVISTO DEL PEZZO	132
MATRICE CODICE PEZZO	132
PARAMETRI TECNICI	133
INFORMAZIONI GENERALI	134
Come funzionano i sistemi di riscaldamento	134
SELEZIONE DEI PRODOTTI	134
RICEZIONE E STOCCAGGIO	134
Ricezione	134
Stoccaggio	134
INSTALLAZIONE	134
Pianificazione	135
Verifica pre-installazione	135
Manipolazione del riscaldatore	135
Locazione del cavo scaldante	135
Percorso dritto	135
Percorso a spirale	136
Fissaggio	136
Taglio del cavo scaldante	136
Dettagli di installazione	136
COMPONENTI DEL SISTEMA	139
Compatibilità dei componenti di sistema	140
Collegamento SLCBL/kit di terminazione	141
Collegamento SLCBL, SLMCBL, SLHCBL/kit di terminazione	142
Collegamento SLCBL/kit di terminazione APPROVATO FM	143
Collegamento SLMCAB/kit di terminazione APPROVATO FM	143
Collegamento SLCAB E SLMCAB/kit di terminazione APPROVATO CSA	144
ISOLAMENTO TERMICO	145
Verifiche pre-installazione	145
Installazione	145
Marcatura	145
TERMOSTATI E SENSORI	145
REQUISITI ELETTRICI	145
Tensione nominale	145
Caricamento elettrico	146
Protezione messa a terra	152
Impermeabilizzazione	152
TEST	152
Raccomandazioni	152
Procedura	152
AVVIAMENTO	155
Tempo di riscaldamento	155
Fattore diversità	155
USO E MANUTENZIONE	155
Design, Installazione e documentazione del sistema	155
Manutenzione preventiva	155
Ispezioni visive	155
Frequenza	155
Formazione del personale	155
Manutenzione	155
Riparazione delle tubazioni	155
PPRODOTTI DANNEGGIATI	156
GUIDA ALLA RISOLUZIONE DEI PROBLEMI	156
INFORMAZIONI SULLA GARANZIA	160

IMPORTANTI ISTRUZIONI DI SICUREZZA



IL SIMBOLO DI PERICOLO

di cui sopra è utilizzato per richiamare la vostra attenzione alle istruzioni per la sicurezza personale. Tale simbolo rileva importanti precauzioni di sicurezza. Significa **"ATTENZIONE! Sia attento! La sicurezza personale è coinvolta!"** Leggere il messaggio che segue e fare attenzione alla possibilità di lesioni personali o di morte.

PERICOLO

Una persona che non ha letto e compreso tutte le istruzioni per l'uso non è qualificata per far funzionare questo prodotto.

PERICOLO

- Non immergere il riscaldatore nel liquido.
- Tenere il materiale volatile o combustibile lontano dal riscaldatore durante l'uso.
- Utilizzare il riscaldatore solo in luoghi approvati.
- Tenere gli oggetti metallici appuntiti lontano dal riscaldatore.

La mancata osservanza di queste avvertenze può provocare scosse elettriche, rischio di incendio e lesioni personali.

AVVERTIMENTO

- Non maneggiare il riscaldatore mentre è in funzione; staccare sempre il riscaldatore dalla presa di corrente e lasciarlo raffreddare prima di maneggiarlo.
- Ispezionare il riscaldatore e i kit di collegamento prima dell'uso.
- In caso di fuoriuscita di sostanze estranee sul riscaldatore, togliere l'alimentazione elettrica e pulire dopo aver consentito al riscaldatore di raffreddarsi.
- Non azionare un riscaldatore senza un dissipatore appropriato (un dispositivo riscaldato è considerato un dissipatore di calore).
- Non utilizzare il riscaldatore al di sopra del valore di temperatura nominale.
- Fissare il riscaldatore al dispositivo solo con metodi approvati.
- Non riparare i riscaldatori danneggiati o difettosi.
- Non schiacciare o applicare stress fisico forte sul riscaldatore o gruppo cavo.
- Sconnettere il riscaldatore quando non in uso.

La mancata osservanza di queste avvertenze può provocare lesioni personali o danni al prodotto e/o di proprietà.

PERICOLO

Rischi immediati che **CAUSERANNO** gravi lesioni personali o la morte

ATTENZIONE

Rischi o azioni pericolose che **POTREBBERO CAUSARE** gravi lesioni personali o la morte.

AVVERTIMENTO

Rischi o azioni pericolose che **POTREBBERO CAUSARE** piccole lesioni personali o danni alla proprietà.

ATTENZIONE

L'utente finale deve rispettare le seguenti:

- Solo il personale qualificato è autorizzato a collegare i cavi elettrici.
- Diseccitare tutti i circuiti di alimentazione prima di eseguire l'installazione o la manutenzione.
- Mantenere asciutte le estremità dei dispositivi di riscaldamento ed i componenti del kit, prima e durante l'installazione.
- Lo strato conduttivo di questo dispositivo di riscaldamento deve essere collegato ad un terminale di massa/terra adatto.
- Installazione secondo il Canadian Electrical Code Parte I (Canada) o il National Electric Code (USA) a seconda dei casi.
- Tutti i collegamenti elettrici devono rispettare le normative elettriche locali.
- La persona che esegue l'installazione / IL cablaggio finale deve essere qualificata per questo lavoro.
- L'utente finale è responsabile di fornire un dispositivo di sezionamento adatto.
- L'utente finale è responsabile di fornire un dispositivo di protezione elettrica adeguato. Si consiglia vivamente di usare un interruttore guasto a terra.

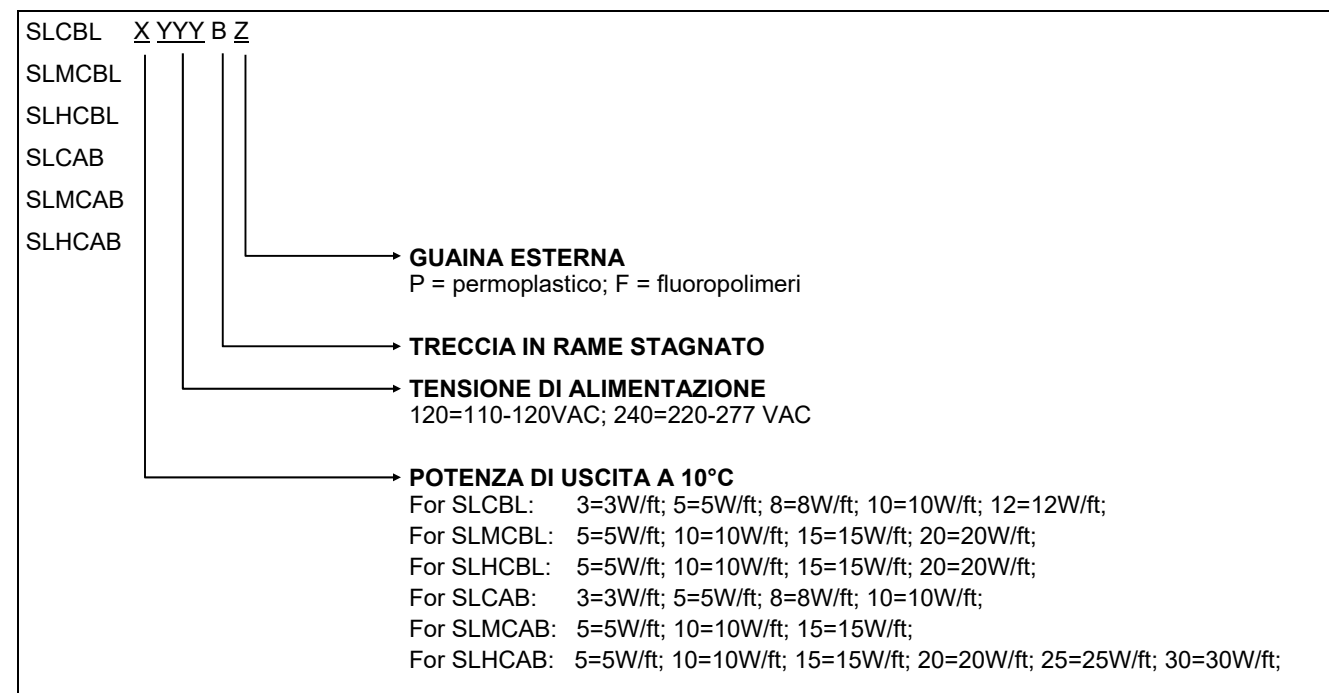
La mancata osservanza di queste avvertenze può causare gravi lesioni personali o la morte.

USO PREVISTO DEL PEZZO

La seguente norma deve valere per le installazioni negli Stati Uniti.

- IEEE 515,1 Installazione di tipo A, Superfici isolate (compresi i tubi)
- IEEE 515,1 Installazione di tipo B, Tetto e grondaia antighiaccio
- IEEE 515,1 Installazione di tipo C, Scioglimento neve integrata

MATRICE CODICE PARTE



PARAMETRI TECNICI

Classe di protezione: IP65

Codice parte	Alimentazione (W/piede)	Tensione	Temperatura di esposizione intermittente massima	Temperatura di esposizione di mantenimento o continua	
SLCBL	3240	3	220V-240V	85°C	65°C
	5240	5	220V-240V	85°C	65°C
	8240	8	220V-240V	85°C	65°C
	10240	10	220V-240V	85°C	65°C
	12240	12	220V-240V	85°C	65°C
	3120	3	110V-120V	85°C	65°C
	5120	5	110V-120V	85°C	65°C
	8120	8	110V-120V	85°C	65°C
	10120	10	110V-120V	85°C	65°C
12120	12	110V-120V	85°C	65°C	
SLMCBL	5240	5	220V-240V	135°C	110°C
	10240	10	220V-240V	135°C	110°C
	15240	15	220V-240V	135°C	110°C
	20240	20	220V-240V	135°C	110°C
	5120	5	110V-120V	135°C	110°C
	10120	10	110V-120V	135°C	110°C
	15120	15	110V-120V	135°C	110°C
20120	20	110V-120V	135°C	110°C	
SCHCBL	5240	5	220V-240V	200°C	120°C
	10240	10	220V-240V	200°C	120°C
	15240	15	220V-240V	200°C	120°C
	20240	20	220V-240V	200°C	120°C
	5120	5	110V-120V	200°C	120°C
	10120	10	110V-120V	200°C	120°C
	15120	15	110V-120V	200°C	120°C
20120	20	110V-120V	200°C	120°C	
SLCAB	3240	3	220V-240V	85°C	66°C
	5240	5	220V-240V	85°C	66°C
	8240	8	220V-240V	85°C	66°C
	10240	10	220V-240V	85°C	66°C
	3120	3	110V-120V	85°C	66°C
	5120	5	110V-120V	85°C	66°C
	8120	8	110V-120V	85°C	66°C
10120	10	110V-120V	85°C	66°C	
SLMCAB	3240	3	220V-240V	185°C	121°C
	5240	5	220V-240V	185°C	121°C
	8240	8	220V-240V	185°C	121°C
	10240	10	220V-240V	185°C	121°C
	3120	3	110V-120V	185°C	121°C
	5120	5	110V-120V	185°C	121°C
	8120	8	110V-120V	185°C	121°C
10120	10	110V-120V	185°C	121°C	
SLHCAB	5240	5	208V-277V	185°C	121°C
	10240	10	208V-277V	185°C	121°C
	15240	15	208V-277V	185°C	121°C
	20240	20	208V-277V	185°C	121°C
	25240	25	110V-120V	185°C	121°C
	30240	30	110V-120V	185°C	121°C
	5120	5	110V-120V	185°C	121°C
	10120	10	110V-120V	185°C	121°C
	15120	15	110V-120V	232°C	190°C
	20120	20	110V-120V	232°C	190°C
	25120	25	110V-120V	232°C	190°C
	30120	30	110V-120V	232°C	190°C

INFORMAZIONI GENERALI

Questo manuale è progettato per l'uso con i prodotti di riscaldamento con autoregolazione di BriskHeat. Per le applicazioni non specificamente indirizzate, si prega di contattare il rappresentante locale.

Come funzionano i sistemi di riscaldamento

Un sistema a cavo scaldante elettrico utilizza il cavo scaldante elettrico per sostituire il calore che si perde attraverso il sistema di isolamento termico. La sostituzione del calore perso permette che il tubo e il prodotto all'interno del tubo possano essere mantenuti ad una temperatura costante. Ciò eviterà il congelamento dell'acqua e la rottura di un tubo, o la disposizione del liquido e il tappare del tubo. I sistemi semplici possono attivare l'intero sistema con un contattore o interruttore, mentre altri useranno un termostato con ogni cavo scaldante per controllare la temperatura.

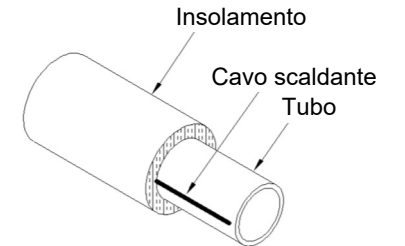


Figura 1

SELEZIONE DEI PRODOTTI

Consult BriskHeat factory for product selection and application engineering support. Contattare lo stabilimento BriskHeat per la selezione dei prodotti e il supporto tecnico di applicazione.

RICEZIONE E STOCCAGGIO

Ricezione

- Confrontare i materiali con il documento di spedizione per verificare la ricezione di materiali adeguati.
- Ispezionare il cavo scaldante ed i componenti per presenza di eventuali danni di trasporto. Sono raccomandati test di resistenza di isolamento su ogni bobina di cavo.
- Se in possesso di documenti di progettazione (liste di linea o elenco materiali per circuito), controllare i materiali ricevuti con le liste per verificare la presenza di tutti i materiali necessari. Se non ci sono documenti di progettazione in possesso, tenere un registro di ricezione di tutti i materiali ricevuti.

Stoccaggio

I cavi ed componenti di sistema devono essere conservati in un ambiente pulito ed asciutto. L'attrezzatura deve essere protetta da danni meccanici durante la conservazione. L'intervallo di temperatura di stoccaggio è (-40 °F a 140 °F) -40 °C a 60 °C.

INSTALLAZIONE

⚠ ATTENZIONE

Mentre ci sono molti modi accettabili di installazione degli impianti di riscaldamento elettrico di BriskHeat, alcune azioni possono essere pericolose per il personale e le installazioni. Si prega di fare attenzione ad evitare i seguenti problemi:

- Non piegare i fili bus insieme alle due estremità del cavo scaldante. Ciascuno di questi fili ha una tensione e il neutro applicato ad esso; piegandoli insieme provoca un corto circuito.
- Sostituire immediatamente qualsiasi cavo scaldante danneggiato o eventuali suoi componenti. La mancata sostituzione delle parti danneggiate (cavo scaldante, componenti o isolamento termico) si tradurrà in un fallimento del sistema.
- Isolare il polimero nero che circonda i fili bus. Il composto nero estruso attorno ai fili bus è elettricamente conduttivo e deve essere trattato come un conduttore.
- Le aree classificate (polveri esplosive o gas) richiedono l'uso di componenti elettrici speciali. Qualsiasi area con gas esplosivi (come impianti chimici/petrochimici) o polveri esplosive (come ad esempio la movimentazione del carbone o granai) richiede cavi, componenti di connessione e componenti di controllo speciali, che sono stati approvati per l'uso in queste aree. L'installazione di prodotti non approvati può provocare incendi o esplosioni.
- Tutti i collegamenti elettrici del sistema devono essere sigillati contro l'umidità. Per evitare la formazione di archi elettrici ed il rischio di incendi, tutti i collegamenti dei cavi ed i cablaggi elettrici devono essere sigillati contro l'umidità. Ciò include l'uso di adeguati kit di tenuta del cavo e l'impermeabilizzazione dell'umidità di tutte le connessioni.
- L'installazione su un tubo di plastica richiede considerazioni speciali per quanto riguarda la selezione e l'installazione.
- Non esporre i cavi scaldanti a temperature superiori alla loro temperatura nominale massima. Le temperature superiori possono abbreviare notevolmente la durata di vita del cavo scaldante.

Programmazione

L'installazione del percorso di calore elettrico deve essere coordinata con i gruppi per tubazioni, isolamento elettrico e strumenti. Si dovrebbe iniziare solo dopo che la maggior parte della costruzione meccanica sia completa. Eseguire dei test di pressione del tubo e installare gli strumenti prima dell'inizio della installazione del cavo scaldante.

Controllo pre-installazione

Percorrere le tubazioni e pianificare l'instradamento del cavo scaldante. Utilizzare questo controllo per verificare il completamento della strumentazione e del lavoro meccanico. Tutti i rivestimenti (vernici, etc.) devono essere asciutti prima di tentare l'installazione del cavo scaldante. Temperatura minima d'installazione -40 °F (-40 °C)

Manipolazione del riscaldatore

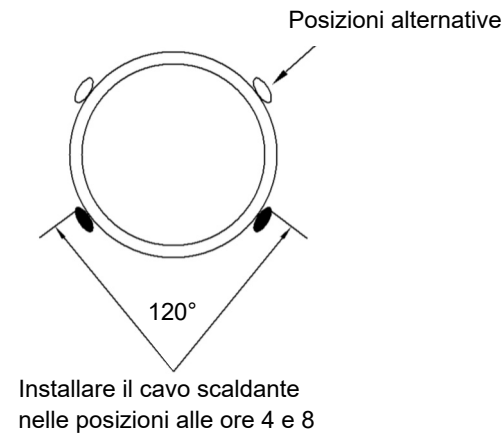
- Usare un supporto bobina per srotolare il cavo scaldante.
- Tenere il cavo teso in modo impreciso, ma vicino al tubo che deve essere percorso. Ciò eviterà le interferenze con supporti ed altre attrezzature.
- Lasciare 305-457 mm extra (12-18") del cavo scaldante a tutti i collegamenti di alimentazione, giunti a T e raccordi a tenuta finali.
- SULLE VALVOLE, SUI SUPPORTI TUBO E SU ALTRE ATTREZZATURE SI RICHIEDE DEL CAVO DI RISCALDAMENTO ADDIZIONALE. Vedere la sezione sui dettagli di installazione per le lunghezze esatte e il metodo di installazione.
- Quando si maneggia il cavo scaldante, evitare di tirarlo eccessivamente o di installarlo sugli spigoli vivi.
- Non piegare o schiacciare il cavo, non camminarci sopra e non posizionarli sopra altre attrezzature.
- Durante l'installazione, non superare il raggio minimo di curvatura di 0,5" (12 mm) a 68 °F (20 °C). Le temperature più basse aumentano il raggio di curvatura minimo. Usare cautela per evitare di superare un raggio di curvatura di sicurezza durante le installazioni a basse temperature.

Locazione del cavo di riscaldamento

Il cavo scaldante può essere installato sia su instradamenti dritti o a spirale attorno al tubo. L'instradamento a spirale è generalmente usato quando è disponibile un numero limitato di tipi di cavo.

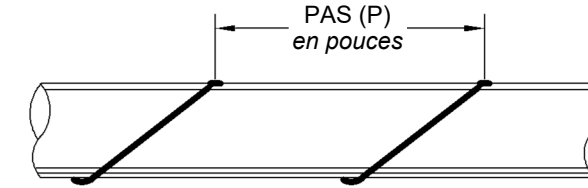
Instradamento dritto

Quando si utilizza l'instradamento dritto, installare il cavo scaldante sul quadrante inferiore del tubo. Questo aiuta a prevenire danni fisici al cavo scaldante dalla caduta di oggetti e dal camminarci sopra, e promuove il trasferimento termico opzionale per i materiali all'interno del tubo.



Instradamento a spirale

L'instradamento a spirale aumenta la lunghezza del cavo scaldante installato per ogni piede di tubo. Per assistenza sulle applicazioni a spirale, contattare il sito di produzione BriskHeat.



Fissaggio

Per le installazioni regolari, il cavo scaldante può essere fissato con nastro in fibra di vetro. Le fascette di plastica possono essere utilizzate con la condizione che la plastica ha una temperatura massima nominale uguale o migliore rispetto ai requisiti del sistema. Il cavo deve aderire bene al tubo e viene fissato ad un intervallo 305 mm (12"), come mostrato nella Figura 4.

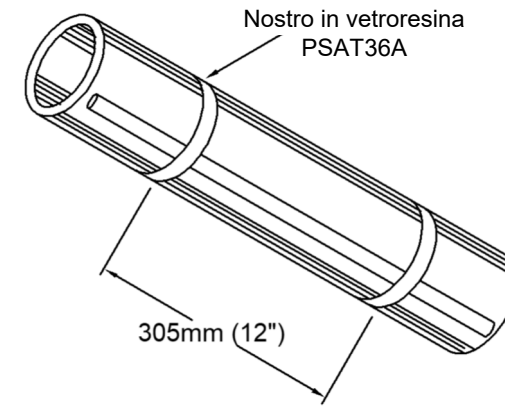


Figura 4

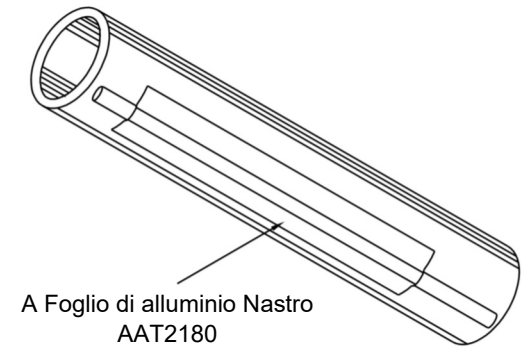


Figura 5

Nota:

1. Per evitare possibili danni al cavo scaldante, non fissare con fascette metalliche, filo, nastro isolante in vinile o nastro adesivo.
2. Il foglio di alluminio deve essere utilizzato solo se specificato in base alla progettazione. Il foglio viene spesso utilizzato sul tubo di plastica per compensare l'effetto isolante della plastica. Vedere la Figura 5 di sopra.

Taglio del cavo scaldante

Non tagliare il cavo finché è ancora attaccato al tubo. Confermare le tolleranze per le estremità, connessioni e dissipatori di calore (valvole, supporto, ecc) prima di tagliare il cavo. L'alimentazione del cavo scaldante non è influenzata dal taglio a misura. Proteggere tutte le estremità del cavo scaldante da umidità o danni meccanici quando esposto per lunghi periodi di tempo.

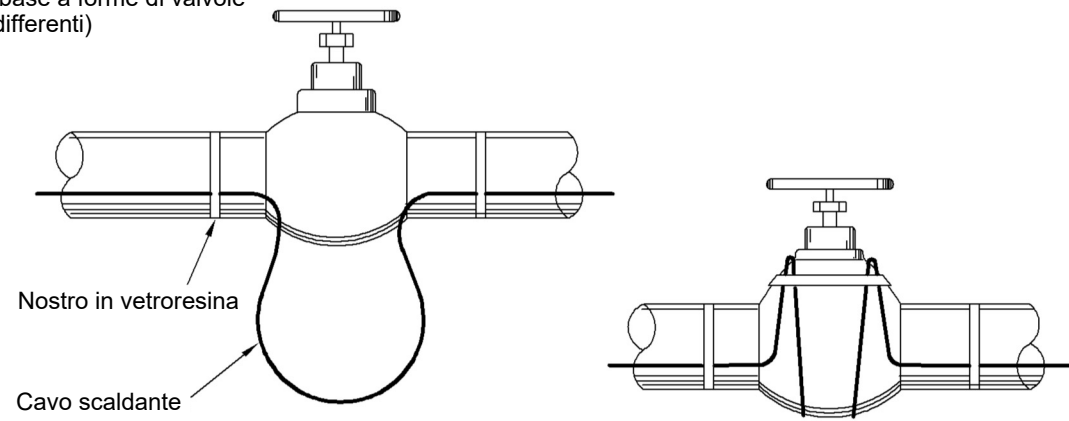
Dettagli di installazione

I cavi scaldanti devono essere applicati in modo da facilitare la rimozione facile di valvole e piccoli dispositivi in linea senza la rimozione eccessiva dell'isolamento termico e senza dover tagliare il cavo scaldante. Il modo migliore per raggiungere questo obiettivo è quello di avvolgere il cavo. La quantità di cavo scaldante installato su ciascuna valvola, supporto, ecc varia in base alla dimensione del tubo e del tipo di dispositivo. Per assistenza per l'installazione e l'applicazione, contattare il sito produttivo di BriskHeat.

Le seguenti figure mostrano i dettagli di installazione per diverse situazioni tipiche:

Valvola

Metodo di installazione tipica
(può variare in base a forme di valvole
differenti)



Gomito

Il cavo scaldante deve essere
posizionato sul raggio esterno
di tutti i giunti a gomito su tubi
di diametro 51 mm (2") e più
grande.

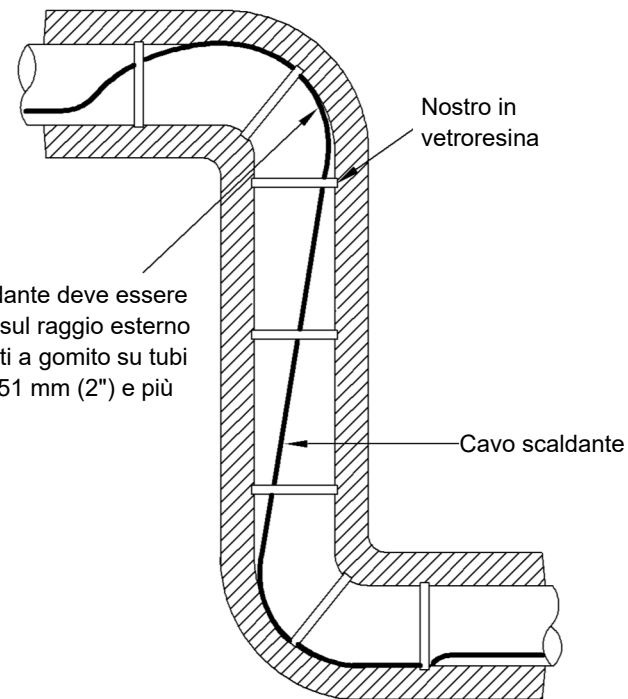


Figura 7

Flangia

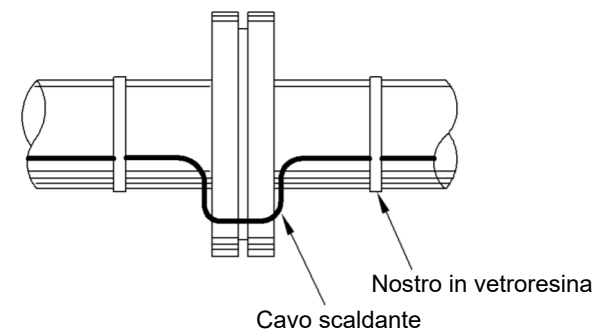


Figura 8

Supporto sospensione

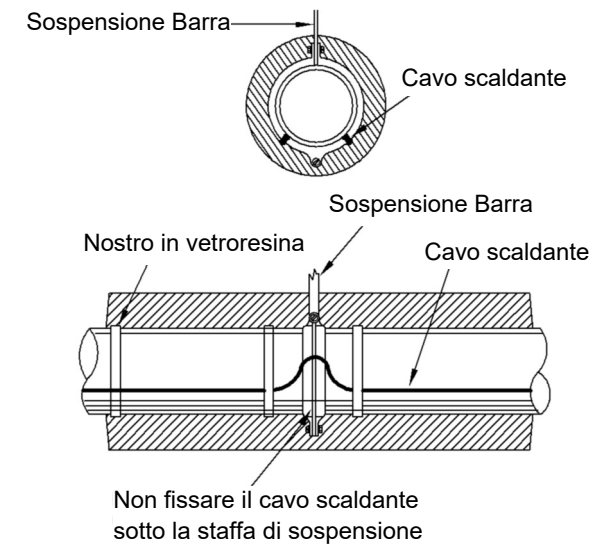


Figura 9

Pattino di sostegno

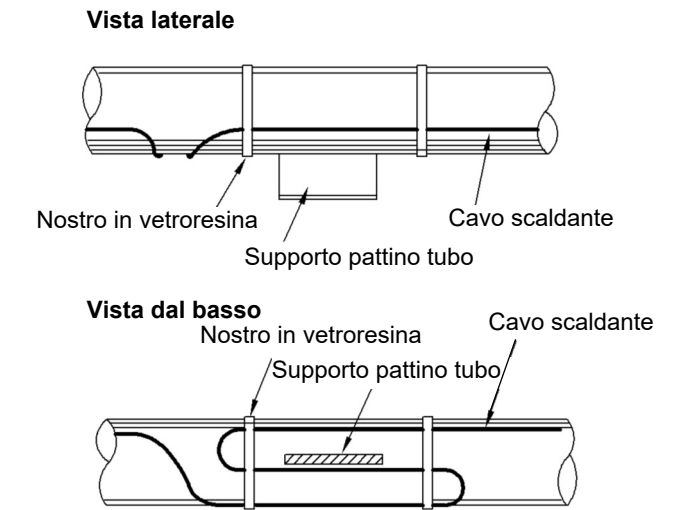


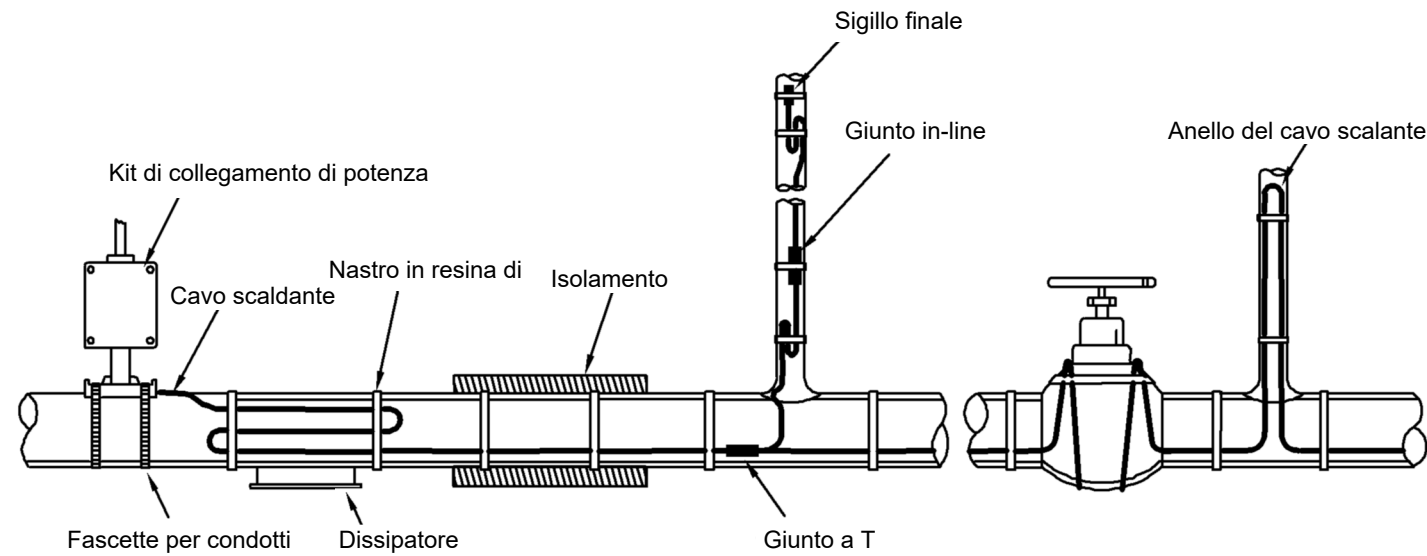
Figura 10

COMPONENTI DEL SISTEMA

Devono essere utilizzati solo collegamenti, terminazioni e kit di giunzione approvati da BriskHeat. In caso contrario, si va incontro all'annullamento della garanzia e delle conformità normative. Le istruzioni per l'installazione in ogni kit di componenti devono essere seguite per quanto riguarda la preparazione ed il montaggio del cavo scaldante. Realizzare i sigilli finali (terminazioni) e le connessioni di giunzione prima di effettuare i collegamenti di potenza. Si raccomanda che tutti i cavi scaldanti siano etichettati durante l'installazione con un numero di circuito discreto. In questo modo si faciliterà l'identificazione dei componenti necessari e cablaggio elettrico durante le fasi successive del montaggio. I kit di collegamento di alimentazione utilizzano un kit piastra di adattamento per l'installazione su tubazioni strumento e serbatoi. Le istruzioni di installazione per il montaggio sono incluse nella.

ATTENZIONE

Collegare i fili del bus insieme creerà un corto circuito.



Nota: Collegamenti di alimentazione cavo scaldante e sigilli finali sono necessari per ogni cavo scaldante. Giunzioni e giunti a T cavo scaldante, e termostati sono utilizzati, come necessario.

Figura 11

Compatibilità dei componenti del sistema

	SLCBL	SLMCBL	SLHCBL	SLCAB	SLMCAB	SLHCAB
SLCBLUC	Sì Sedi ordinarie e tetto e grondaia	No	No	No	No	No
SLCBLUC-GF	Sì Sedi ordinarie e tetto e grondaia	No	No	No	No	No
SLCBLKC	Sì Sedi ordinarie e tetto e grondaia	No	No	No	No	No
SLCBLSK	Sì Sedi ordinarie e tetto e grondaia	No	No	No	No	No
PTBO-GET	Sì Aree pericolose	Sì	Sì	No	No	No
JHE-GET	Sì Aree pericolose	Sì	Sì	No	No	No
JHS-GET	Sì Aree pericolose	Sì	Sì	No	No	No
JHT-GET	Sì Aree pericolose	Sì	Sì	No	No	No
SLCABUC	No	No	No	Sì Aree comuni e pericolose	No	No
SLCABSK	No	No	No	Sì Aree comuni e pericolose	No	No
SLCABKC	No	No	No	Sì Aree comuni e pericolose	No	No
SLMCABUC	No	No	No	No	Sì Aree comuni e pericolose	No
SLMCABKC	No	No	No	No	Sì Aree comuni e pericolose	No
SLCABUC-CSA-M	No	No	No	Sì Aree comuni e pericolose	Sì Aree comuni e pericolose	No
SLCABEND-CSA-2	No	No	No	Sì Aree comuni e pericolose	Sì Aree comuni e pericolose	No
ROOFKIT	No	No	No	Sì solo SLCAB-BP	No	No
ROOFENDKIT	No	No	No	Sì solo SLCAB-BP	No	No
SLCABPWP-H	No	No	No	No	No	Sì Aree comuni e pericolose
SLCABKC-H	No	No	No	No	No	Sì Aree comuni e pericolose

Collegamento SLCBL/kit di terminazione

Per l'uso in aree comuni con solo cavo SLCBL (approvato UL).

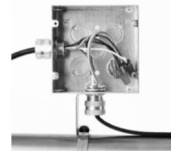
Per l'uso in applicazioni di scioglimento e scongelamento neve da tetto e grondaia solo con cavo SLCBL (approvato UL).



Approvazioni valide solo se utilizzate con opportuni cavi scaldanti e accessori di installazione, e se installati in conformità con tutte le istruzioni, codici e regolamenti applicabili.

SLCBLUC: Kit di collegamento alimentazione SLCBL

Contenuto del kit:



- | | |
|--|---|
| 2 etichette di avvertimento traccia di calore | 3 Cappucci di protezione |
| 2 etichette di attenzione scioglimento neve | 1 Tubo termoretraibile nero da 1/2" x 1" (13 mm x 25 mm) |
| 1 Staffa di fissaggio del tubo punto morto | 1 Tubo termoretraibile verde/giallo da 1/4" x 6" (6 mm x 15 cm) |
| 1 Dado di sicurezza | 2 Tubo termoretraibile nero da 1/8" x 5-1/2" (3 mm x 14 cm) |
| 1 1/2" NPT Raccordo guarnizione con estensione e passacavo | 1 Guarnizione di tenuta |
| | 1 Guarnizione finale |

Sufficiente per completare:

Una connessione di alimentazione in ingresso e una terminazione con guarnizione finale.

NOTA: Scatola di giunzione e cinghia tubo vendute separatamente. Richiede la scatola di giunzione elencata UL adatta per la posizione con un foro passante per condotto 1/2" o mozzo filettato 1/2" NPT. Per il cavo scaldante senza guaina esterna (solo tipo B), deve essere usata una scatola di giunzione in metallo per garantire la corretta messa a terra.

SLCBLUC-GF: Kit di collegamento potenza protezione messa a terra

Contenuto del kit:



- | | |
|---|--|
| 2 etichette di avvertimento traccia di calore | 1 Tubo termoretraibile nero da 3/4" x 8" (19 mm x 20 cm) |
| 2 etichette di attenzione scioglimento neve | 1 Tubo termoretraibile nero da 3/4" x 5" (19 mm x 13cm) |
| 1 Nastro di tessuto | 2 Tubo termoretraibile nero da 1/8" x 1" (3 mm x 25 mm) |
| 2 Strisce mastice | 1 Tubo termoretraibile nero da 1/2" x 1" (13mm x 25mm) |
| 2 Legami a morsetto | 1 Tubo termoretraibile nero da 5/16" x 1-1/2" (8 mm x 38 mm) |
| 2 Terminali isolati di crimpatura | 1 Dispositivo di protezione messa a terra con spina a 3 poli 120 V NEMA 5-15 |
| 1 Barile non isolato di crimpatura | |

Sufficiente per completare:

Una connessione di alimentazione ingresso potenza di protezione messa a terra.

SLCBLKC: Kit guarnizione finale SLCBL

Contenuto del kit:



- | | |
|--|---|
| 2 Tappi termoretraibili | 2 Manicotti treccia intrecciata da 1/2" x 4" (13 mm x 10cm) |
| 2 Tubo termoretraibile nero da 3/4" x 5" (19mm x 13cm) | |

Sufficiente per completare:

Two end seal terminations.

SLCBLSK: Kit giunto e giunzione a T SLCBL

Contenuto del kit:



- | | | |
|---------------------|---|------------------------------------|
| 1 Legame a morsetto | 1 Tubo termoretraibile nero da 1" x 8" (25 mm x 20 cm) | 2 Tappi termoretraibili |
| 3 Fascette | 3 Tubi termoretraibile nero da 1/2" x 1" (13mm x 25 mm) | 1 Tubo termoretraibile |
| 1 Nastro di tessuto | 6 Tubi termoretraibile nero da 1/2" x 1" (3mm x 25 mm) | 1 Barile non isolato di crimpatura |
| 5 Strisce mastice | 2 Terminali isolati di crimpatura | 1 Guarnizione finale |

Sufficiente per completare:

Una connessione a giunzione e una terminazione guarnizione finale o una connessione a T e una terminazione guarnizione finale.

NOTA: Questo kit non completa un collegamento dell'alimentazione.

Collegamento SLCBL, SLMCBL, SLHCBL/kit di terminazione

Per l'utilizzo in zone pericolose solo con cavo SLCBL (BP, BF) (approvato CSA).

Per l'utilizzo in aree non pericolose con cavo SLCBL, SLMCBL, SLHCBL (non approvato da CSA).



Approvazioni valide solo se utilizzate con opportuni cavi scaldanti e accessori di installazione, e se installati in conformità con tutte le istruzioni, codici e regolamenti applicabili.

Aree pericolose (classificate)

Classe I, Divisione 2, Gruppi A, B, C, D

Classe II, Divisione 2, Gruppi E, F, G

Classe III

PTBO-GET: Kit connessione dell'alimentazione SLCBL, SLMCBL, SLHCBL con custodia ottagonale

Contenuto del kit:



- | | |
|--|---|
| 1 Scatola di giunzione ottagonale con connessioni di potenza dei terminali staffa di montaggio | 1 Raccordo guarnizione M25x1.5 IP68 |
| 1 Tubo situazione di stallo | 2 Anelli di tenuta stagna |
| 2 Fascette di fissaggio | 1 Tappo di tenuta stagna |
| 1 Dado di sicurezza | 2 Tubo termoretraibile verde/giallo da 1/4" x 6" (6 mm x 15 cm) |
| | 2 Tubi termoretraibili neri da 1/8" x 5-1/2" (3 mm x 14 cm) |

Sufficiente per completare:

Una connessione di alimentazione in ingresso.

JHE-GET: Kit guarnizione finale SLCBL, SLMCBL, SLHCBL a basso profilo

Contenuto del kit:



- | |
|--|
| 1 Alloggiamento guarnizione finale |
| 1 Anello di tenuta stagna |
| 3 Guarnizione finale di pressione con viti |

Sufficiente per completare:

Una terminazione guarnizione finale di basso profilo.

JHS-GET: Kit connessione giunto SLCBL, SLMCBL, SLHCBL a basso profilo

Contenuto del kit:



- | |
|--|
| 1 Alloggiamento giunto in-line |
| 2 Guarnizioni di tenuta stagna |
| 2 Coperchi alloggiamento con le viti |
| 2 Anelli di tenuta stagna |
| 2 Guarnizioni finali di pressione con viti |

Sufficiente per completare:

Una terminazione guarnizione finale di basso profilo.

JHT-GET: Kit connessione giunzione a T SLCBL, SLMCBL, SLHCBL a basso profilo

Contenuto del kit:



- | |
|--|
| 1 Alloggiamento giunto a T |
| 2 Guarnizioni di tenuta stagna |
| 2 Coperchi alloggiamento con le viti |
| 3 Anelli di tenuta stagna |
| 3 Guarnizioni finali di pressione con viti |

Sufficiente per completare:

Una terminazione guarnizione finale di basso profilo.

NOTA: Questo kit non completa un collegamento dell'alimentazione.

Collegamento SLCBL/kit di terminazione APPROVATO FM

KIT

SLCABUC: Kit di connessione universale SLCAB. approvato per FM.

- 1 3/4" (19 mm) Punto morto tubo NPT
- 2 Terminali ad anello
- 4 Connettori grandi, isolati di crimpatura
- 2 Connettori piccoli, isolati di crimpatura
- 2 Fascette tubo (per un tubo IPS fino a 6" (152 mm))
- 2 Coperchi finali dissipatore di calore
- 1 Manicotto estraibile 6" (152 mm)
- 1 Tubo da 3 once (89 ml) di sigillante RTV
- 1 Rotolo di nastro in fibra di vetro
- 1 Etichetta Attenzione
- 1 Vite di terra



Aree comuni
Pericolose (classificate)
Classe I, Divisione 2, Gruppi B, C e D
Classe II, Divisione 2, Gruppi F e G
Classe III, Divisione 2

Approvazioni valide solo se utilizzate con cavo scaldante adeguato e Accessori di installazione e installati in conformità a tutte le istruzioni, I codici ed i regolamenti applicabili.

Sufficiente per completare:

Terminali con due estremità e una connessione di ingresso di potenza o una giunzione di ingresso potenza.

NOTA: Richiede una scatola di giunzione NPT 3/4" (19 mm)

SLCABSK: Kit SLCABSK. approvato per FM.

- 20 Connettori grandi, gialli di crimpatura
- 20 Connettori grandi, blu di crimpatura
- 10 Tubi termoestraibili
- 1 Tubo da 3 once (89 ml) di sigillante RTV

Sufficiente per completare:

Dieci collegamenti di potenza in ingresso, o dieci giunzioni a T

SLCABKC: Kit guarnizione finale SLCAB approvato per FM.

- 10 Tubo termoretrattile

Sufficiente per completare:

Dieci terminazioni finali

Collegamento SLMCAB/kit di terminazione APPROVATO FM

KIT

SLMCABUC: Kit di connessione universale SLMCAB. approvato per FM.

- 1 3/4" (19 mm) Punto morto tubo NPT
- 2 Terminali ad anello
- 3 Connettori grandi, di crimpatura
- 2 Connettori piccoli, di crimpatura
- 2 Fascette tubo (per un tubo IPS fino a 6" (152 mm))
- 2 Pattini finali
- 1 Tubo da 3 once (89 ml) di sigillante RTV
- 1 Rotolo di nastro in fibra di vetro
- 1 Etichetta Attenzione
- 1 Vite di terra



Aree comuni
Pericolose (classificate)
Classe I, Divisione 2, Gruppi B, C e D
Classe II, Divisione 2, Gruppi F e G
Classe III, Divisione 2

Approvazioni valide solo se utilizzate con cavo scaldante adeguato e Accessori di installazione e installati in conformità a tutte le istruzioni, I codici ed i regolamenti applicabili.

Sufficiente per completare:

Terminali con due estremità e una connessione di ingresso di potenza o una giunzione di ingresso potenza o un giunto a T.

NOTA: Richiede una scatola di giunzione NPT 3/4" (19 mm)

SLMCABKC: Kit guarnizione finale SLMCAB approvato per FM.

- 10 Pattini finali
- 4 Rotolo di nastro in fibra di vetro
- 1 Tubo da 3 once (89 ml) di sigillante RTV

Sufficiente per completare:

Dieci terminazioni finali

Collegamento SLCAB E SLMCAB/kit di terminazione APPROVATO CSA

KIT

SLCABUC-CSA-M: Kit di connessione universale SLCAB e SLMCAB. Approvato CSA.

- 1 Corpo connettore
- 1 Tappo connettore
- 2 Rondelle ghiandola del connettore
- 1 Passacavo
- 1 Pattino terminazione
- 1 Presa di estensione
- 1 Staffa punto morto
- 1 Dado
- 1 Blocco terminazione
- 1 Rotolo di nastro in fibra di vetro
- 1 Sigillante a silicone
- 1 Cinghia per tubi (per tubi con diam. esterno da 2" a 6" (51 a 152 mm))
- 1 Terminale ad anello
- 1 Kit guarnizione finale



Sedi ordinarie 130-03 (-G,-W, -S)
Pericolose (classificate)
Classe I, Divisione 1[†] and 2, Gruppi B, C e D
Classe II, Divisione 1[†] and 2, Gruppi E, F e G
Classe III, Divisione 1[†] and 2
3, 5, 8 W/ft T6
10 W/ft T5

Approvazioni valide solo se utilizzate con opportuni cavi scaldanti e accessori di installazione, e se installati in conformità con tutte le istruzioni, codici e regolamenti applicabili.

*2E approvato solo per 3 watt/piede e 5 watt/piede

Sufficiente per completare:

Una connessione in ingresso e una terminazione finale. Giunzioni e giunzioni di ingresso dell'alimentazione possono essere effettuate utilizzando due kit

NOTA: Richiede una scatola di giunzione NPT 3/4" (19 mm)

SLCABEND-CSA-2: Kit guarnizione finale SLCAB e SLMCAB.

Approvato CSA.

- 1 Tappo finale
- 1 Morsetto
- 1 Sigillante

Sufficiente per completare:

Terminazione con una estremità

Collegamento SLHCAB / kit di terminazione APPROVATO CSA

KIT

SLCABPWP-H: SLHCAB Power Connection Kit per tubi. Approvato CSA.

- 1 Base
- 1 Superiore
- 2 Scatola di giunzione
- 1 Guarnizione di tenuta (foro grande)
- 1 Guarnizione di tenuta (piccolo foro)
- 1 Guarnizione di tenuta
- 2 Shrink Tubes 1/8 "x 51/2" (nero)
- 1 Tubo termoretraibile 1/4 "x 51/2" (verde / giallo)
- 1 Tubo termoretraibile 1/2 "x 11/2" (bianco)
- 1 Anello di blocco
- 1 Adattatore (per installazione su tubo inferiore a 1")
- 1 Cravatta in acciaio inossidabile



Sedi ordinarie 130-03 (-G,-W, -S)
Pericolose (classificate)
Classe I, Divisione 1[†] and 2, Gruppi B, C e D
Classe II, Divisione 1[†] and 2, Gruppi E, F e G
Classe III, Divisione 1[†] and 2
3, 5, 8 W/ft T6
10 W/ft T5

Approvazioni valide solo se utilizzate con opportuni cavi scaldanti e accessori di installazione, e se installati in conformità con tutte le istruzioni, codici e regolamenti applicabili.

Sufficiente per completare:

Una connessione in ingresso e una terminazione finale. Giunzioni e giunzioni di ingresso dell'alimentazione possono essere effettuate utilizzando due kit

NOTA: Richiede una scatola di giunzione NPT 3/4" (19 mm)

SLCABKC-H: Kit guarnizione finale SLCHAB.

Approvato CSA.

- 1 Tappo finale
- 1 Morsetto
- 1 Sigillante

Sufficiente per completare:

Terminazione con una estremità

[†]Solo approvazione CI/D1 per BF. Contattare un rappresentante di BriskHeat per informazioni sui sistemi di localizzazione pericolosi di Division I.

ISOLAMENTO TERMICO

Controlli pre-installazione

Controllare il cavo scaldante ed i suoi componenti per una corretta installazione e possibili danni. In particolare, verificare che:

- La quantità corretto aggiuntiva del cavo scaldante è stata installata presso ciascuna valvola, flangia, supporto del tubo, ecc e che sia priva da urti fisici, perdite o scricchiate. Il cavo aggiuntivo oltre alla quantità specificata ad un dissipatore di calore non è un problema per effetto dell'autoregolazione del cavo scaldante.

- Le connessioni, giunzioni ed i terminali siano correttamente installati, tra cui le guarnizioni dei cavi in alloggiamenti di collegamento di potenza.

- Garantire che l'isolamento sia a corrente nominale corretta per la temperatura massima di esposizione del sistema riscaldato.

Installazione

Controllare il tipo di isolamento termico e lo spessore rispetto ai criteri di progettazione. I cambiamenti nel tipo di isolamento o di spessore possono richiedere un cavo scaldante a potenza diversa. Verificare che tutte le tubazioni, compresi le penetrazioni alla parete, raccordi, ecc siano state completamente isolate.

Controllare il sistema per verificare che:

- L'isolamento non sia bagnato dalla pioggia prima dell'applicazione di impermeabilizzazione.
- I giunti a sovrapposizione sulle tubazioni verticali siano correttamente sovrapposti - il pezzo superiore girato sopra la parte superiore del pezzo inferiore.

- I sigilli a nastro sono utilizzati in corrispondenza dei giunti a sovrapposizione per evitare l'ingresso di acqua.

- Tutte le penetrazioni della copertura (steli delle valvole, aste dei supporti, etc.) siano correttamente impermeabilizzate.

- Gli oggetti di forma irregolare (ad esempio pompe, ecc) siano adeguatamente impermeabilizzati.

Per ridurre al minimo il potenziale danneggiamento del cavo scaldante, installare l'isolamento appena possibile. Si raccomanda di eseguire un altro test di resistenza (megger) di isolamento essere dopo aver installato l'isolamento per verificare che il cavo scaldante non sia stato danneggiato durante l'installazione dell'isolamento stesso.

Marcatura

Installare segni "Percorso elettrico" ai lati alterni della tubazione ad intervalli regolari, come un avvertimento per il personale di manutenzione. Contrassegnare l'esterno dell'isolamento della copertura con la posizione dei componenti del cavo scaldante. Ciò faciliterà la manutenzione nel caso di un problema.

TERMOSTATI E SENSORI

Le applicazioni termosensibili richiedono l'uso di un controllo termostatico. La selezione del termostato corretto deve considerare voltaggio e amperaggio nominali del dispositivo, nonché l'idoneità dell'alloggiamento per l'ambiente (prova di esplosione, impermeabile alla pioggia, resistenza alla corrosione, etc.). L'alloggiamento del termostato deve essere montato il più vicino possibile al kit di connessione di potenza. Può essere collegato al connettore di alimentazione del kit, considerando che i requisiti del codice siano soddisfatti per quanto riguarda le connessioni alle guarnizioni del condotto, ecc. Per rilevare la temperatura dell'aria più fresca, ambiente (rilevamento dell'aria), i termostati devono essere montati in ombra, se possibile. Quando si utilizzano i termostati per rilevamento tubi, il bulbo (sensore) deve essere montato sul lato opposto del tubo dal riscaldatore, o più lontano risulti essere pratico. Ciò consentirà al termostato di rilevare la temperatura effettiva del tubo e non essere influenzato dalla temperatura del riscaldatore. Montare la lampadina ad almeno tre (3) piedi dal dissipatore di calore più vicino, se possibile.

L'umidità all'interno dell'alloggiamento causerà sia problemi di corrosione e cortocircuiti. Il potenziale di questo tipo di problema può essere notevolmente ridotto mediante:

- Corretta tenuta di tutte le aperture degli alloggiamenti.
- Mantenendo chiuso e protetto il coperchio dell'alloggiamento quanto meglio possibile durante sequenza di installazione. chiusura adeguata e tenuta del coperchio per evitare perdite nell'alloggiamento.
- Utilizzo di uno spray a prova dell'umidità/sigillante elettrico (aerosol) sul termostato e sui collegamenti elettrici (tra cui tutte le parti metalliche) al completamento dell'installazione.
- Il collegamento e l'uso del riscaldatore di spazio se è fornito con termostato. Non sconnettere il riscaldatore di spazio durante i mesi estivi.

REQUISITI ELETTRICI

Tensione nominale

Verificare che la tensione nominale del cavo scaldante sia adatta al servizio utilizzato. I cavi con la tensione nominale di 240 volt possono essere utilizzati da 208 a 277 volt, con una variazione di accompagnamento in potenza.

Caricamento elettrico

Dimensione dispositivi di protezione sovracorrente mostrati nella Figura 12 e 13. Se i dispositivi sono diversi dagli interruttori magnetotermici standard, consultare il produttore.

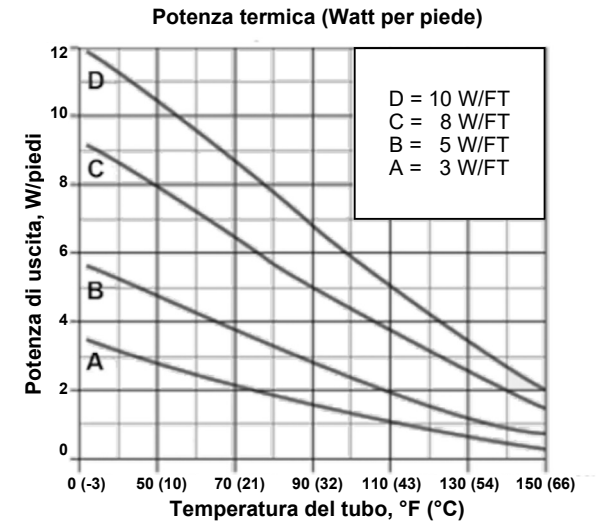
(Per l'installazione in USA) Tutti gli interruttori di circuito con corrente nominale adeguata devono essere identificati con un marchio di riferimento che indica il circuito di derivazione che alimenta i circuiti ai set di cavi scaldanti di serie.

SLCAB

Lunghezza massima circuito in piedi vs. Dimensione interruttore di circuito

Tipo cavo scaldante	Dimensione interruttore Circuito	Temperatura di avvio		
		50°F (10°C)	0°F (-18°C)	-20°F (-29°C)
SLCAB3120	15 amp	300	200	180
	20 amp	-	270	230
	30 amp	-	330	330
SLCAB3240	15 amp	660	410	360
	20 amp	-	560	480
	30 amp	-	660	660
SLCAB5120	15 amp	230	150	130
	20 amp	270	200	175
	30 amp	-	270	260
SLCAB5240	15 amp	460	300	260
	20 amp	540	400	345
	30 amp	-	540	520
SLCAB8120	15 amp	150	95	85
	20 amp	200	125	100
	30 amp	210	190	170
	40 amp	-	210	210
SLCAB8240	15 amp	295	195	170
	20 amp	390	250	225
	30 amp	420	375	340
	40 amp	-	420	420
SLCAB10120	15 amp	115	70	60
	20 amp	150	95	85
	30 amp	180	145	120
	40 amp	-	180	165
SLCAB10240	15 amp	230	150	130
	20 amp	305	200	175
	30 amp	360	300	260
	40 amp	-	360	360

Figura 12



Fattori di regolazione della tensione

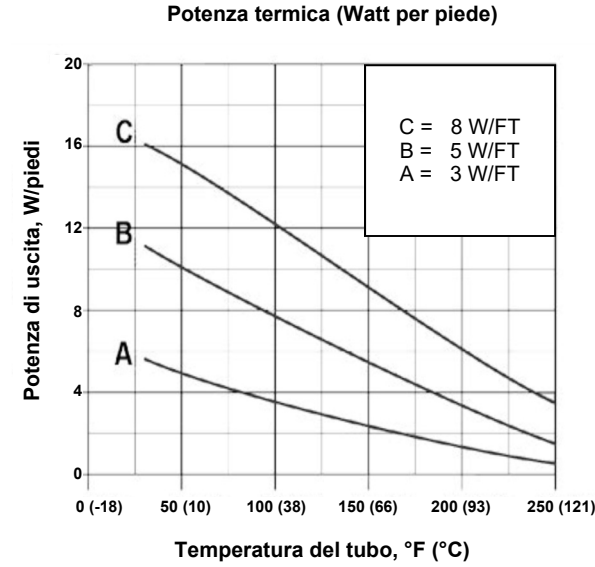
Fattore di regolazione della potenza		
Tipo di prodotto	208 V c.a.	277 V c.a.
SLCAB3240	0.75	1.28
SLCAB5240	0.86	1.16
SLCAB8240	0.91	1.10
SLCAB10240	0.93	1.08

SLMCAB

Lunghezza massima circuito in piedi vs. Dimensione interruttore di circuito

Tipo cavo scaldante	Dimensione interruttore circuito	Temperatura di avvio		
		50°F (10°C)	0°F (-18°C)	-20°F (-29°C)
SLMCAB5120	15 amp	150	135	130
	20 amp	200	180	170
	30 amp	240	220	210
SLMCAB5240	15 amp	250	230	220
	20 amp	330	305	295
	30 amp	480	440	420
SLMCAB10120	15 amp	90	85	80
	20 amp	120	110	105
	30 amp	180	165	160
SLMCAB10240	15 amp	140	130	125
	20 amp	190	175	170
	30 amp	280	260	250
SLMCAB15120	15 amp	70	65	60
	20 amp	90	85	80
	30 amp	130	125	120
SLMCAB15240	15 amp	100	95	90
	20 amp	135	125	120
	30 amp	200	185	180

Figura 13



Fattori di regolazione della tensione

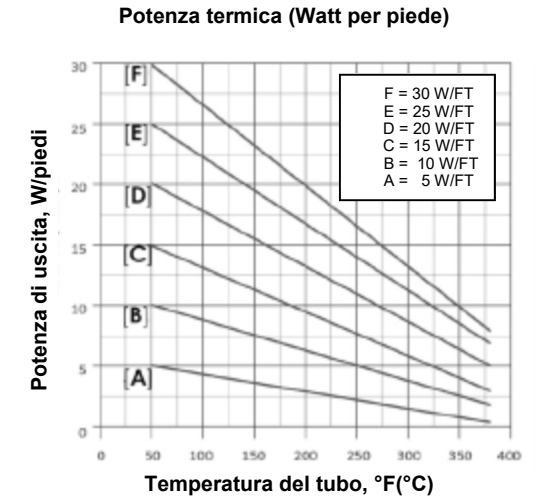
Fattore di regolazione della potenza		
Tipo di prodotto	208 V c.a.	277 V c.a.
SLMCAB5240	0.78	1.25
SLMCAB10240	0.86	1.16
SLMCAB15240	0.92	1.09

SLHCAB

Lunghezza massima circuito in piedi vs. Dimensione interruttore di circuito

Tipo cavo scaldante	Dimensione interruttore circuito	Temperatura di avvio		
		50°F (10°C)	0°F (-20°C)	-50°F (-45°C)
SLHCAB5120	10 amp	240	140	115
	15 amp	320	220	190
	20 amp	330	265	225
SLHCAB5240	10 amp	485	275	232
	15 amp	643	436	377
	20 amp	660	530	449
SLHCAB10120	10 amp	162	105	80
	15 amp	249	170	127
	20 amp	265	215	164
SLHCAB10240	10 amp	324	209	160
	15 amp	498	337	255
	20 amp	530	433	328
SLHCAB15120	10 amp	123	54	52
	15 amp	177	90	82
	20 amp	200	115	103
SLHCAB15240	20 amp	406	229	206
	30 amp	420	350	275
	40 amp	420	350	320
SLHCAB20120	10 amp	75	45	35
	15 amp	121	65	55
	20 amp	150	80	70
SLHCAB20240	20 amp	295	164	141
	30 amp	315	215	170
	40 amp	360	215	215
SLHCAB25120	10 amp	55	30	25
	15 amp	90	45	45
	20 amp	115	60	50
SLHCAB25240	20 amp	229	124	98
	30 amp	229	158	120
	40 amp	240	158	158
SLHCAB30120	20 amp	229	124	98
	30 amp	229	158	120
	40 amp	240	158	158
SLHCAB30240	20 amp	229	124	98
	30 amp	229	158	120
	40 amp	240	158	158

Figura 14



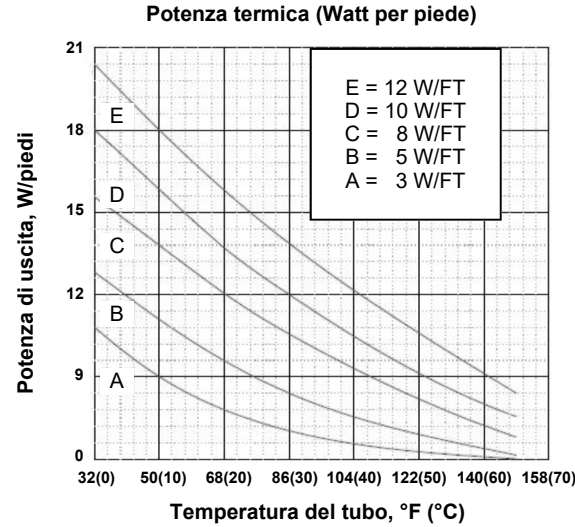
Fattori di regolazione della tensione

Fattore di regolazione della potenza in watt/ft		
Tipo di prodotto	208 V c.a.	277 V c.a.
SLHCAB10240	0.88	1.14
SLHCAB20240	0.94	1.08
SLHCAB30240	0.99	1.01

SLCBL

Lunghezza massima circuito in piedi vs. Dimensione interruttore di circuito

Tipo cavo scaldante	Dimensione interruttore circuito	Temperatura di avvio			
		50°F (10°C)	32°F (0°C)	-4°F (-20°C)	-40°F (-40°C)
SLCBL3120	10 amp	240	200	140	115
	15 amp	320	300	220	190
	20 amp	330	320	265	225
	30 amp	330	320	280	265
	40 amp	330	320	280	265
SLCBL3240	10 amp	485	396	275	232
	15 amp	643	606	436	377
	20 amp	660	643	530	449
	30 amp	660	643	557	530
SLCBL5120	10 amp	162	135	105	80
	15 amp	249	215	170	127
	20 amp	265	252	215	164
	30 amp	265	252	240	200
SLCBL5240	10 amp	324	269	209	160
	15 amp	498	429	337	255
	20 amp	530	505	433	328
	30 amp	530	505	480	400
SLCBL8120	10 amp	123	100	54	52
	15 amp	177	145	90	82
	20 amp	200	180	115	103
	30 amp	210	180	175	135
SLCBL8240	10 amp	246	203	108	104
	15 amp	354	291	183	164
	20 amp	406	360	229	206
	30 amp	420	360	350	275
SLCBL10120	10 amp	75	55	45	35
	15 amp	121	85	65	55
	20 amp	150	105	80	70
	30 amp	155	120	105	85
SLCBL10240	10 amp	147	111	85	68
	15 amp	242	177	131	114
	20 amp	295	216	164	141
	30 amp	315	246	215	170
SLCBL12120	10 amp	55	40	30	25
	15 amp	90	60	45	45
	20 amp	115	80	60	50
	30 amp	115	90	80	60
SLCBL10240	10 amp	111	78	59	49
	15 amp	183	124	91	85
	20 amp	229	160	124	98
	30 amp	229	180	158	120
40 amp	240	210	158	158	



Fattori di regolazione della tensione

Watt/piede Fattore di regolazione uscita		
Tipo di prodotto	208 V c.a.	277 V c.a.
SLCBL3240	0.82	1.13
SLCBL5240	0.85	1.12
SLCBL8240	0.89	1.08
SLCBL10240	0.89	1.08
SLCBL12240	0.89	1.08

Fattore di regolazione lunghezza circuito max.

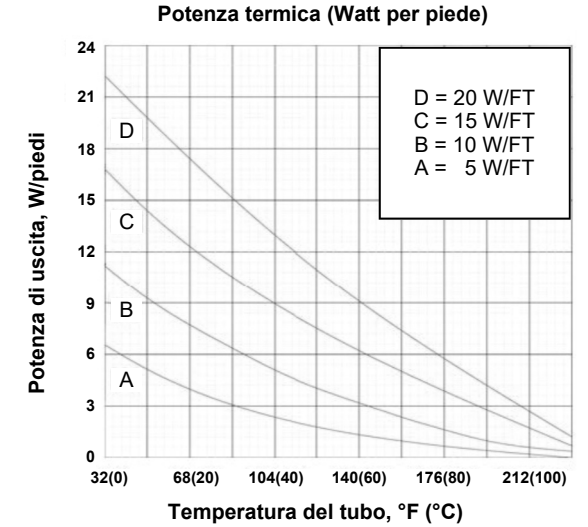
Fattore di regolazione lunghezza circuito max.		
Tipo di prodotto	208 V c.a.	277 V c.a.
SLCBL3240	0.96	1.08
SLCBL5240	0.94	1.09
SLCBL8240	0.92	1.11
SLCBL10240	0.92	1.11
SLCBL12240	0.92	1.11

Figura 15

SLMCBL

Lunghezza massima circuito in piedi vs. Dimensione interruttore di circuito

Tipo cavo scaldante	Dimensione interruttore circuito	Temperatura di avvio			
		50°F (10°C)	32°F (0°C)	-4°F (-20°C)	-40°F (-40°C)
SLMCBL5120	10 amp	110	80	-	-
	15 amp	133	105	98	90
	20 amp	195	160	148	138
	30 amp	210	195	170	165
	40 amp	210	195	183	180
SLMCBL5240	10 amp	220	160	145	135
	15 amp	265	210	195	180
	20 amp	390	320	295	275
	30 amp	420	390	365	360
	40 amp	420	390	340	330
SLMCBL10120	10 amp	75	73	-	-
	15 amp	100	95	80	70
	20 amp	133	148	125	100
	30 amp	174	180	156	130
SLMCBL10240	10 amp	150	145	121	114
	15 amp	200	190	160	140
	20 amp	265	295	249	200
	30 amp	347	360	311	280
SLMCBL15120	10 amp	57	51	-	-
	15 amp	94	87	57	54
	20 amp	120	108	71	69
	30 amp	154	133	80	80
SLMCBL15240	10 amp	114	101	68	65
	15 amp	187	173	114	108
	20 amp	239	216	141	137
	30 amp	308	265	180	173
SLMCBL20120	10 amp	51	41	-	-
	15 amp	82	72	51	49
	20 amp	102	90	67	61
	30 amp	131	115	84	74
SLMCBL20240	10 amp	101	82	62	55
	15 amp	164	144	101	98
	20 amp	203	180	134	121
	30 amp	262	229	167	147
40 amp	300	255	220	190	



Fattori di regolazione della tensione

Watt/piede Fattore di regolazione uscita		
Tipo di prodotto	208 V c.a.	277 V c.a.
SLMCBL5240	0.84	1.20
SLMCBL10240	0.85	1.18
SLMCBL15240	0.91	1.09
SLMCBL20240	0.90	1.07

Fattore di regolazione lunghezza circuito max.

Fattore di regolazione lunghezza circuito max.		
Tipo di prodotto	208 V c.a.	277 V c.a.
SLMCBL5240	0.95	1.04
SLMCBL10240	0.94	1.06
SLMCBL15240	0.91	1.10
SLMCBL20240	0.91	1.11

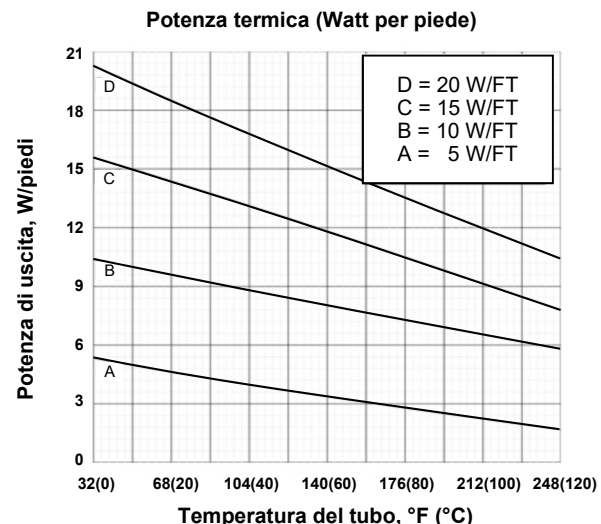
Figura 16

SLHCBL

Lunghezza massima circuito in piedi vs. Dimensione interruttore di circuito

Tipo cavo scaldante	Dimensione interruttore circuito	Temperatura di avvio			
		50°F (10°C)	32°F (0°C)	-4°F (-20°C)	-40°F (-40°C)
SLHCBL5120	10 amp	120	110	105	90
	15 amp	180	175	158	143
	20 amp	240	215	190	180
	30 amp	259	245	240	225
	40 amp	266	255	250	240
SLHCBL5240	10 amp	240	220	210	180
	15 amp	360	350	315	285
	20 amp	479	430	380	360
	30 amp	518	490	480	450
	40 amp	531	510	500	480
SLHCBL10120	10 amp	73	69	65	58
	15 amp	118	110	98	88
	20 amp	148	140	130	118
	30 amp	220	200	182	175
SLHCBL10240	10 amp	146	138	130	116
	15 amp	236	220	195	175
	20 amp	295	280	260	235
	30 amp	440	400	364	350
	40 amp	510	480	440	460
SLHCBL15120	10 amp	50	47	42	40
	15 amp	75	65	63	60
	20 amp	100	90	83	80
	30 amp	143	135	125	120
SLHCBL15240	10 amp	100	93	83	80
	15 amp	150	130	125	120
	20 amp	200	180	165	160
	30 amp	285	270	250	240
SLHCBL20120	10 amp	39	33	34	32
	15 amp	58	55	50	48
	20 amp	75	71	68	63
	30 amp	115	105	100	95
SLHCBL20240	10 amp	77	70	67	63
	15 amp	115	110	100	95
	20 amp	150	142	135	125
	30 amp	230	210	200	190
SLHCBL20240	40 amp	306	286	265	250

Figura 17



Fattori di regolazione della tensione

Tipo di prodotto	208 V c.a.	277 V c.a.
SLHCBL5240	0.87	1.07
SLHCBL10240	0.88	1.08
SLHCBL15240	0.88	1.08
SLHCBL20240	0.86	1.07

Fattore di regolazione lunghezza circuito max.

Tipo di prodotto	208 V c.a.	277 V c.a.
SLHCBL5240	0.99	1.08
SLHCBL10240	0.99	1.06
SLHCBL15240	0.98	1.06
SLHCBL20240	1.00	1.08

Protezione messa a terra

Gli interruttori guasto a terra sono obbligatori in tutte le costruzioni del riscaldatore secondo il National Electric Code. In genere, sono necessari dei dispositivi corsa 30 mA a causa della dispersione capacitiva della costruzione del cavo scaldante.

Impermeabilizzazione

La penetrazione di umidità dell'impianto elettrico è la più grande fonte di problemi in un sistema di installazione del cavo scaldante. Pertanto, prestare una particolare attenzione alla corretta tenuta di tutti i collegamenti elettrici e di tutte le giunzioni. I kit di tenuta del cavo scaldante forniranno una buona tenuta per il cavo scaldante stesso, se usato secondo le istruzioni del kit. Tutti gli altri collegamenti elettrici (riscaldatore a cavi di alimentazione, i collegamenti del termostato, i collegamenti del pannello e dell'interruttore, ecc) devono essere sigillati o resi impermeabili all'umidità in qualche modo. In entrambi i casi, deve essere utilizzato un tubo termoretraibile in mastice o un sigillante isolante elettrico all'aerosol aerosol su tutte le connessioni per ridurre qualsiasi penetrazione dell'umidità. Il sigillante andrà anche a ridurre il rischio di corrosione sulle parti metalliche esposte.

TEST

Raccomandazioni

Dei test elettrici sono raccomandati in punti specifici durante la ricezione e l'installazione del cavo scaldante. Questo test periodico è progettato per impedire il dispendio di manodopera sprecata in caso di danni al prodotto. I costi di installazione del cavo e l'isolamento termico sono molto maggiori rispetto al costo del cavo scaldante. L'identificazione rapida di eventuali danni al cavo scaldante è l'approccio più economico di un'installazione. Si raccomanda un test di resistenza di isolamento al seguente punto del processo di installazione:

- UPON RECEIPT of the heating cable
- BEFORE thermal INSULATION installation
- IMMEDIATELY AFTER thermal insulation installation
- As part of a PERIODIC MAINTENANCE program

Procedura

Il test di resistenza di isolamento viene utilizzato per verificare la presenza di danni alle guaine estruse. Le connessioni per il test megger sono realizzate come mostrato nelle *Figure 18 e 19*.

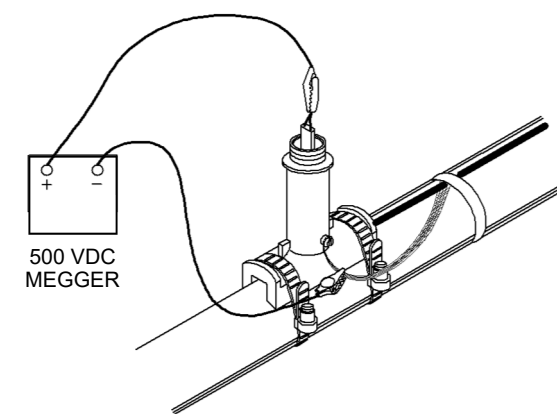


Figura 18

PER CAVI SCALDANTI CON TRECCIA
Test dal bus cavo scaldante alla treccia

Nota: Il test dovrebbe utilizzare almeno 500 V C.C. Non utilizzare un test megger con oltre 2500 V C.C. Le letture minime accettabili dovrebbero essere di 20 megaohm per circuito, indipendentemente dalla lunghezza.

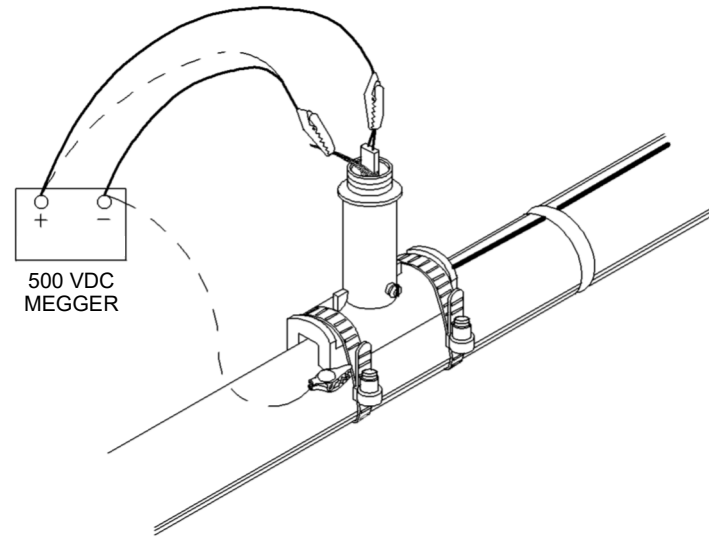


Figura 19

PER CAVI SCALDANTI CON TRECCIA E RIVESTIMENTO ESTERNO

Test A - (*linee continue*) da fili bus del cavo scaldante alla treccia.
 Test B - (*linee tratteggiate*) dalla treccia al tubo di metallo.

Una registrazione dovrebbe essere tenuta dai valori misurati dal momento in cui il cavo viene installato la prima volta sul tubo. Una cronologia della lettura della resistenza d'isolamento può essere utile per individuare infiltrazioni di umidità nel sistema elettrico (osservando un graduale declino della resistenza di isolamento o danni fisici al cavo scaldante (forte calo della resistenza di isolamento). Una cronologia di esempio è mostrata in *Figura 20*. (*Vedi pagina seguente*)

CRONOLOGIA DI ISPEZIONE PERIODICA BRISKHEAT

Numero circuito
Tipo del riscaldatore
Lunghezza del circuito

Circuiti di protezione al gelo -

Effettuare questi controlli in base agli approcci usati richiesti dalla stagione.

Circuiti di manutenzione delle temperatura -

Eseguire queste verifiche al meno 2 volte l'anno.

Controlli di manutenzione per _____	Mese _____	Anno _____					
Ispezione visiva all'interno della scatola di connessione corrosione, umidità, ecc.	Iniziale Data						
Danni o crepe (perdite) dei sigilli di isolamento a valvole, supporti, pompe, ecc.	Iniziale Data						
cavo scaldante correttamente collegato e messo a terra. cavo scaldante e connessioni isolati dalla scatola di connessione.	Iniziale Data						
Termostato deve essere controllato per l'umidità, corrosione, set point, switch operation, and capillary damage	Punto di riferimento Iniziale Data						
Megger tests performed at power connection with both bus wires disconnected from power wiring.	Letture Iniziale Data						
Tensione del circuito a connessione di alimentazione	Letture						
Circuito amperaggio dopo 5 minuti	Letture						
Temperatura del tubo è stata misurata in Amp di tempo.	Letture						
Watt/piedi							
$\text{Volts} \times \text{Amps} = \text{w/piedi}$	Iniziale Data						
Tutte le connessioni, scatole e termostati sono stati risigillati.	Iniziale Data						
Sigilli di estremità, giunzioni coperte e giunti a tee contrassegnati Sul rivestimento isolante.	Iniziale Data						

Osservazioni e Commenti							

Figura 20
Modulo di registrazione delle ispezioni periodiche

MODULO DI REGISTRAZIONE DELLE

Il modulo per la registrazione delle ispezioni periodiche può essere utilizzato in due modi :

1. **Un foglio per circuito** - I risultati dei test periodici di un unico circuito sono immessi in colonne verticali, a partire da sinistra e compilando verso destra. Questo permette un facile confronto dei valori di prova fino a sette sequenze di test su un singolo circuito.
2. **Un circuito per colonna** - I dati dei test per una singola sequenza di test su ben sette circuiti possono essere registrati su un singolo foglio.

AVVIAMENTO

Tempo di riscaldamento

La capacità di riscaldamento (la capacità di riscaldare rapidamente il tubo ed il suo contenuto) non è normalmente progettate nel sistema. Gli avviamenti a freddo dovrebbero consentire un tempo adeguato per il riscaldamento del tubo.

Fattore diversità

Se la capacità di alimentazione elettrica è limitata, quindi, in una situazioni di avviamento a freddo, può essere utilizzato un fattore di diversità (cercare di avviare l'intero sistema in condizioni atmosferiche molto fredde). Questo si ottiene sfalsando l'avvio iniziale dei circuiti del cavo scaldante per consentire alle correnti di spunto di passare in modo sequenziale piuttosto che tutti in una sola volta.

USO E MANUTENZIONE

Progettazione, installazione e documentazione del sistema

Il sistema dei cavi di riscaldamento deve essere adeguatamente progettato, installato e documentato. Questa documentazione deve includere almeno le liste di linea e la documentazione di identificazione della posizione. I progetti di installazione integrati forniscono lo strumento di manutenzione ottimale. La cronologia dei test deve essere considerata come parte dei requisiti di documentazione del sistema. Vedere la Figura 15.

Manutenzione preventiva

Si rende necessario un programma di manutenzione preventiva, che comprenderà sia controlli visivi ed elettrici del sistema. Questi dovrebbero essere eseguiti non solo prima della messa in funzione del sistema, ma anche in base ad una pianificazione. I controlli devono essere effettuati dopo ogni esecuzioni di intervento di manutenzione.

Ispezioni visive

- Isolamento termico - controllare la permeabilità per danni, mancanza di sigilli, crepe o lacune nella sigillatura e nei rivestimenti in mastice, nella copertura isolante danneggiata o mancante. Quando il danno esiste, l'isolamento deve essere riparato o sostituito, e poi risigillato. L'ISOLAMENTO BAGNATO HA PROPRIETA' ISOLANTI INSUFFICIENTI, QUINDI L'ISOLAMENTO DEVE ESSERE MANTENUTO ASCIUTTO. Se l'isolamento è stato danneggiato, controllare il cavo scaldante per la presenza di danni - sostituire la sezione danneggiata.
- Ispezionare le scatole di derivazione, le scatole di connessione ed i termostati per la presenza di corrosione, umidità o corpi estranei.
- Serraggio delle connessioni elettriche, isolamento elettrico dei conduttori del cavo scaldante, adeguatezza della guarnizione all'umidità sui collegamenti elettrici e che almeno un (1) pollice del riscaldatore isolato elettricamente si estende sopra il collegamento a terra. Alcun filo della treccia di terra deve estendersi sopra questa connessione.
- Controllare tutti i termostati o i conduttori capillari del sensore per verificare che siano legati indietro e protetti da danni fisici.
- Verificare che la custodia, la scatola di connessione, ecc coperchi siano chiusi e che il termostato si spegne e si accende mentre si sta misurando il flusso di corrente nel circuito quando l'apparecchio si accende. Riportare la manopola alla temperatura adeguata al termine del test.

Frequenza

Le ispezioni devono essere effettuate prima dell'inizio della stagione fredda (gelo) sui sistemi di protezione antigelo. I sistemi di manutenzione di processo devono essere controllati su una base frequente, almeno due volte l'anno.

Formazione del personale

Solo personale di manutenzione qualificato deve essere utilizzato per gli interventi di manutenzione del sistema. Si raccomanda di utilizzare programmi di formazione periodica per aiutare il personale di manutenzione a mantenersi aggiornati per quanto riguarda le attrezzature e le procedure.

Manutenzione

I cavi scaldanti non richiedono alcuna manutenzione. Degli agenti di controllo della temperatura meccanici devono essere spruzzati con un repellente di umidità/inibitore di corrosione una volta l'anno su tutte le parti metalliche.

Programmazione

L'installazione del percorso di calore elettrico deve essere coordinata con i gruppi per tubazioni, isolamento elettrico e strumenti. Si dovrebbe iniziare solo dopo che la maggior parte della costruzione meccanica sia completa. Eseguire dei test di pressione del tubo e l'installazione degli strumenti prima dell'inizio della installazione del cavo scaldante.

PRODOTTI DANNEGGIATI

Non tentare di riparare un cavo scaldante danneggiato - sostituire l'intera sezione. Le correnti di guasto spesso distruggeranno l'interfaccia del materiale filo/nucleo tra la porzione danneggiata e l'estremità dell'alimentazione di tensione del circuito.

Sostituire immediatamente il cavo scaldante danneggiato. La migrazione di umidità nella sezione buona del cavo scaldante può causare cortocircuiti in quel cavo dopo la riparazione della sezione danneggiata.

Qualsiasi prodotto esposto al fuoco o alle fiamme deve essere rimosso dal servizio immediatamente e sostituito. Si possono causare ulteriori danni da incendio se viene alimentato.

GUIDA ALLA RISOLUZIONE DEI PROBLEMI

SINTOMI	CAUSA PROBABILE	CORREZIONE
A. Corse interruttore di circuito (Standard)	<ol style="list-style-type: none"> 1. Interruttore sottodimensionato 2. Circuito sovradimensionato 3. Avvio a bassa temperatura eccessiva. 4. Interruttore difettoso 5. Il collegamento e/o le giunzioni possono essere in cortocircuito. 6. Danni fisici al cavo scaldante possono essere la causa di un corto. 7. Fili collegati a guarnizione finale. 	<ol style="list-style-type: none"> 1, 2, 3. Re-stabilire i carichi di corrente attuali che devono essere presenti e ridimensionare gli interruttori.* 4. Sostituire l'interruttore. 5, 6. Localizzare e riparare le connessioni non corrette, le giunzioni o le sezioni danneggiate del cavo scaldante. ** Megger secondo le istruzioni di installazione. 7. Scollegare i cavi ed eseguire un controllo di corrente per eventuali altri danni.
B. Corse interruttore di circuito (Tipo perdite di massa)	<ol style="list-style-type: none"> 1. Tutte della sezione A. 2. Umidità eccessiva in scatole di connessione o giunzioni. 3. Tagliare il filo del riscaldatore o di alimentazione con l'umidità presente. 	<ol style="list-style-type: none"> 1. Tutte della sezione A. 2. Asciugare e ri-sigillare le connessioni e le giunzioni. Megger in conformità con le Istruzioni per l'installazione (20 megaohm min.) Eseguire prima i collegamenti al di fuori dell'isolamento termico, passando ai collegamenti di isolamento e alle guarnizioni dopo che gli altri sono stati eliminati. 3. Individuare e riparare o sostituire il cavo scaldante danneggiato o cavo di alimentazione. **

* Verificare se il dimensionamento del cavo di alimentazione esistente è compatibile con gli interruttori di dimensioni più grandi.

** Per individuare problemi di cortocircuito, attenersi alla seguente procedura:

1. Ispezionare visivamente i collegamenti di alimentazione e le giunzioni che sono al di fuori dell'isolamento termico per una corretta installazione.
2. Controllare eventuali indicazioni visive di danni intorno alle valvole, pompe e qualsiasi area in cui ci possono essere stati eseguiti dei lavori di manutenzione.
3. Verificare la presenza di isolamento schiacciato o danneggiato lungo il tubo.
4. Ispezionare le giunzioni dei cavi scaldanti sotto l'isolamento termico.
5. Se non è stato individuato il problema, si dovrà isolare una sezione del cavo scaldante alla volta fino a determinare l'area generale di danni. In primo luogo, isolare scollegando eventuali raccordi a T o giunzioni, quindi rimuovere l'isolamento da quella area fino a trovare il danno specifico. Per lunghi tratti di cavo, può essere necessario tagliare il cavo a metà per isolare la sezione di cortocircuito.

SINTOMI	PROBABLE CAUSE	CORRECTION
C. Power output is zero or lower than rated. ***	1. Tensione di ingresso mancante o bassa.	1. Riparazione linee di alimentazione elettrica e delle attrezzature.
	2. Il circuito è più breve di quanto indicato nella progettazione. a. Giunzioni a giunti a T potrebbero non essere stati collegati. b. Il cavo scaldante potrebbe essere stato danneggiato.	2. Controllare lunghezza e percorso del cavo scaldante (uso "come costruito"), e ricalcolare i requisiti di alimentazione. a. Collegare e ricontrollare la potenza. b. Individuare e riparare il cavo scaldante danneggiato. Controllare nuovamente la potenza.
	3. Crimpatura impropria che causa una connessione ad alta resistenza.	3. Re-crimpare utilizzando la procedura corretta.
	4. Termostato di controllo è cablato in posizione aperta.	4. Ricollegare nella posizione normalmente chiusa.
	5. Tubo è ad una temperatura elevata.	5. Controllare la temperatura del tubo e ricalcolare l'uscita.***
	6. Cavo di riscaldamento è stata esposta ad umidità eccessiva.	6,7. Sostituire il cavo scaldante.
	7. Cavo scaldante è stato esposto a temperature eccessive	
D. Uscita di tensione sembra corretta ma la temperatura del tubo è inferiore al valore progettato.	1. L'isolamento è bagnato.	1. Rimuovere e sostituire con isolamento secco e assicurare protezione corretta alle intemperie.
	2. Cavo scaldante insufficiente è stato utilizzato su valvole, supporti ed altri dissipatori di calore.	2. Giuntare il cavo scaldante supplementare, ma non andare oltre la massima lunghezza del circuito.
	3. Il termostato è stato impostato in modo errato.	3. Ripristinare il termostato.
	4. Ci sono incongruenze di progettazione termica.	4. Controllare con i rappresentanti locali o la fabbrica per condizioni di progetto. Modificare come raccomandato.

*** L'uscita di potenza sui cavi riscaldanti a bassa resistenza è sensibile alla temperatura e richiede una procedura special determinare il suo valore.

- Controllare la temperatura del tubo sotto l'isolamento termico.
- Lasciare che il cavo scaldante si stabilizzi per 10 minuti e quindi misurare la corrente.
- Calcolare la potenza (watt/piede) del cavo scaldante moltiplicando la corrente con la tensione di ingresso e dividend per la lunghezza effettiva del circuito

$$\frac{I \times V}{\text{piedi}} = \frac{\text{Watt}}{\text{piedi}}$$

- Confrontare questo valore misurato con le curve di potenza di uscita per il cavo scaldante alla temperature misurata del tubo. Se l'uscita effettiva del cavo scaldante è sostanzialmente al di sotto dell'uscita teorica, l'interfaccia filo con il nucleo è stato danneggiata dalla corrente di guasto ed il cavo deve essere sostituito. Questo non è un metodo di analisi altamente accurato, quindi essere riservati nel confrontare i valori teorici e quelli reali.

CRONOLOGIA INSTALLAZIONE PERCORSO DEL CAVO

1. N. circuito _____	Data _____		
2. Documentazione ricezione		PROGETTAZIONE	ATTUALE
Articolo		_____	_____
A. Tipo di cavo		_____	_____
B. Lunghezza del cavo		_____	_____
3. Test alla ricezione	Data _____		
A. Verifica della presenza di danni fisici	O.K. _____	Danno _____	
B. Controllo di continuità			
Controllare la continuità tra i cavi di alimentazione.	O.K. _____	Aperto _____	
C. 500 V c.c. min., 2500 V c.c. consigliata, controllo tra i conduttori e guaina, 20 megaohm min. Megaohm			Megohms _____
D. No. Lotto No.			No. _____
4. Test post-installazione	Data _____		
A. Controllo di continuità			
Controllare la continuità tra i cavi freddi.	O.K. _____	Aperto _____	
B. 500V c.c. min., 2500 V c.c. consigliata, controllo tra i conduttori e guaina 20 megaohm min.			Megohms _____
C. Controllare visivamente l'installazione del cavo prima di rilascio per l'isolamento termico..			Controllo visivo O.K. _____
5. Test finale e messa in servizio	Data _____		
A. Circuito approvato per i test dal cliente.			Approvato _____
B. 500 V c.c. min., 2500 V c.c. controllo tra i conduttori e guaina, 20 megaohm min.			Megohms _____
C. Test di alimentazione			
(Tutti i dati dei test devono essere entro il 10% dei dati di progettazione)		PROGETTAZIONE	ATTUALE
1. Tensione di circuito		_____	_____
2. Corrente iniziale		_____	_____
3. Corrente dopo 15 minuti di funzionamento		_____	_____
4. Corrente dopo 30 minuti di funzionamento		_____	_____
5. Temperatura del tubo		_____	_____
6. Accettazione del circuito		_____	_____

Questo circuito è stato testato e documentato secondo i dati dettagliati sopra. Questo circuito da:

Contraente _____ Data _____

La cronologia di installazione percorso del cavo può essere utilizzata per monitorare l'installazione iniziale e il processo di check-out. Questo modulo può essere utilizzato in combinazione con la cronologia di ispezione periodica mostrata in *Figura 20*.

Figura 21

NOTA**INFORMAZIONI SULLA GARANZIA**

BriskHeat assicura la garanzia di questo prodotto all'acquirente originale per il periodo di diciotto (18) mesi dalla data di spedizione o di dodici (12) mesi dalla data di installazione, a seconda di quale viene prima. L'obbligo di il rimedio esclusivo da parte di BriskHeat ai sensi della presente garanzia sono limitati alla riparazione o alla sostituzione, a discrezione di BriskHeat, di qualsiasi parte del prodotto che può rivelarsi difettosa in condizioni di uso e manutenzione conformi in seguito alla verifica da parte di BriskHeat e che è determinato difettosa da parte di BriskHeat. I dettagli completi della garanzia si possono trovare online all'indirizzo www.briskheat.com o contattandoci a 1-800-848-7673 (numero verde, Stati Uniti/Canada) o 1-614-294-3376 (tutto il mondo).



Sede aziendale:
4800 Hilton Corporate Dr.
Columbus, OH 43232, U.S.A.

Europa:
P.O. Box 420124
44275 Dortmund, Germania

Numero verde: 800-848-7673
Telefono: 614-294-3376
Fax: 614-294-3807
E-mail: bhtsales1@briskheat.com