

Fulflo® EB Single Bag Filter Vessel

304 & 316 stainless steel, commercial
(non ASME code) design

The Fulflo EB non ASME code single bag filter vessels provide economical filtration of a wide variety of liquids in a lightweight, externally polished stainless steel design. Features include a secured swing bolt quick open cover and an internal positive pressure bag hold down device.

EB single bag vessels are available to accommodate common industrial filter bag sizes 1, 2, 3 and 4.

These vessels are manufactured from polished and passivated stainless steel and rated for 150 psi (10.3 bar). For added corrosion resistance, all cover bolt and leg mounting hardware is made from stainless steel as well.



Contact Information

Parker Hannifin Corporation
Bioscience Division - N.A.
2340 Eastman Avenue
Oxnard, CA 93030

phone +1 805 604 3583
bioscience.na@parker.com

www.parker.com/bioscience

Benefits

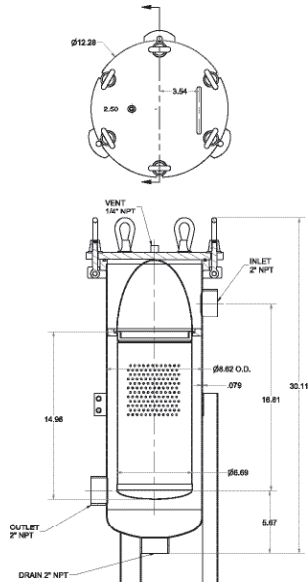
- Swing bolted o-ring closure seal provides quick & positive seal with easy access to the vessel interior and filter bag
- Both FNPT threaded and flanged connections are available in specific models
- NPT models offers dual 2" outlet ports on bottom and side locations
- EPDM seals are standard with other material options available
- Standard threaded FNPT vent & drains
- Standard stainless steel closure bolt hardware
- Polished exterior & pickle passivate interior/exterior for enhanced corrosion resistance
- Mounting legs are adjustable, providing flexibility for installation height & orientation
- Hinged cover for ease of use

Applications

- Potable Water
- Cutting Oils
- Solvents
- Coolants
- Process Water
- Coatings
- Lubricant

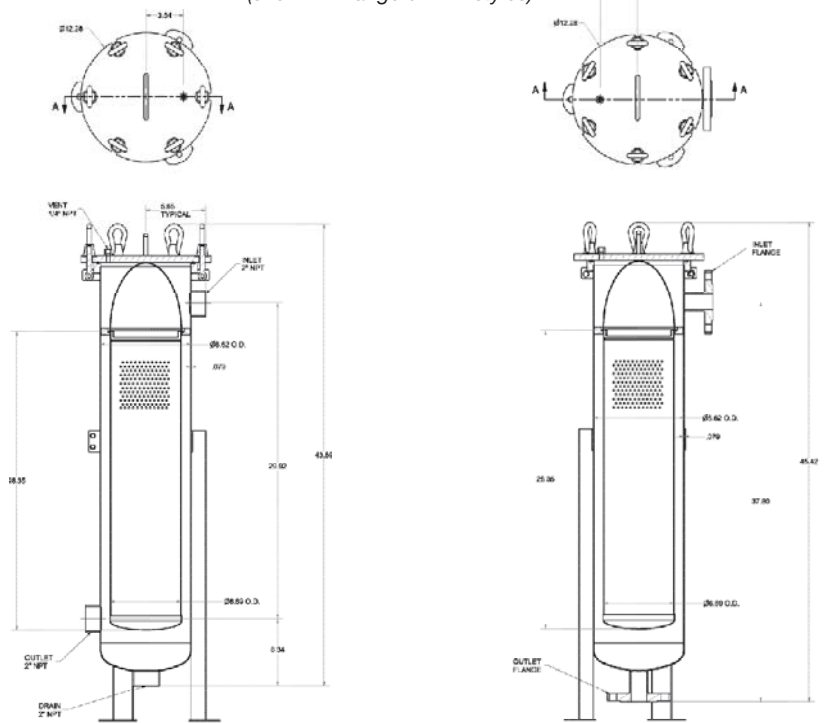
Fulflo® EB Single Bag Filter Vessel

SIZE S



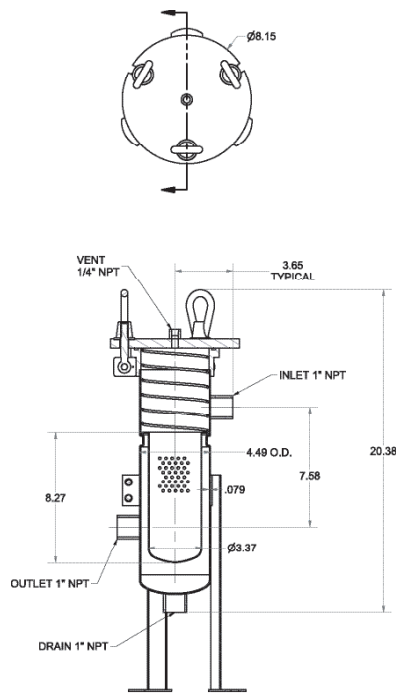
Vessel designed to use (1) #1
Parker 'G' style bag with 7-1/4" diameter rim
Inlet elevation adjustable from approx. 21" to 33"

SIZE D (shown in flange & NPT styles)



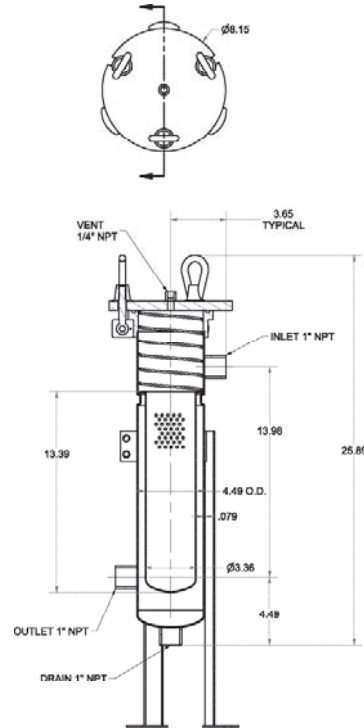
Vessel designed to use (1) #2
Parker 'G' style bag with 7-1/4" diameter rim
Inlet elevation adjustable from approx. 37" to 53"

SIZE 3



Vessel designed to use (1) #3
Parker 'G' style bag with 4-1/4" diameter rim
Inlet elevation adjustable from approx. 15" to 19"

SIZE 4



Vessel designed to use (1) #4
Parker 'G' style bag with 4-1/4" diameter rim
Inlet elevation adjustable from approx. 19" to 30"

Specifications are subject to change without notification.
For User Responsibility Statement, see www.parker.com/safety

© 2017 Parker-Hannifin Corporation
Bioscience Division - North America
All Rights Reserved



Fulflo® EB Single Bag Filter Vessel

Material of Construction	Max. Allowable Pressure (MAP) (psi @ MAT °F)	Max. Allowable Temp. (MAT) (°F @ MAP psi)
304 & 316 SST	150 psi (10.3 bar)	300°F (149°C)

Optional O-Ring/Gasket		
Material	Cover seal part #	Basket seal part #
Nitrile (Buna-N)	4150-5835-N	4150-5834-N
EPDM (EPR)*	4150-5835-E	4150-5834-E
FKM (Viton®)	4150-5835-V	4150-5834-V**

*EPDM o-ring is standard. O-ring installed under cover and basket rim
 **Vessel temperature limited to 300°F (149°C)

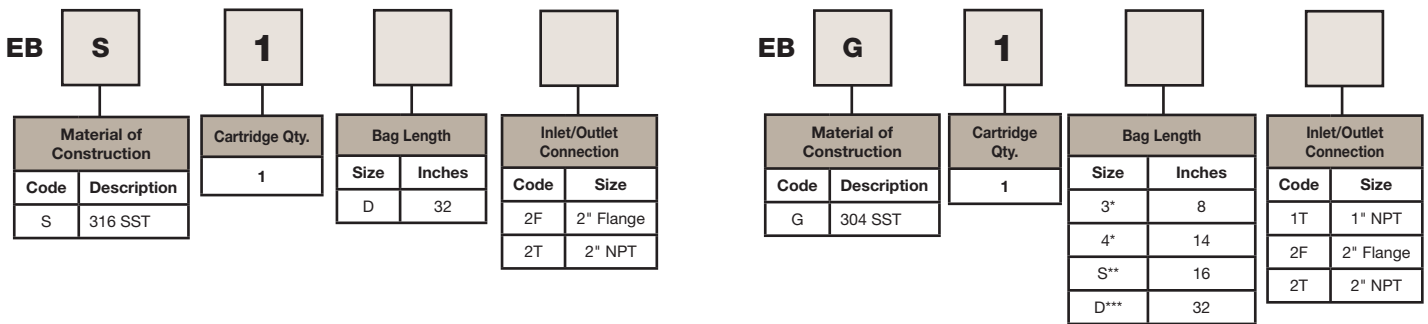
Typical Aqueous Flow

Based on 160 gpm water per #2 double bag & 80 gpm per #1 single bag

Ordering Configurations (Size 1 & 2)							
Part #	Material	Industry Size	Bag Length	Bag Diameter (in.)	Connection	Features	Weights (lbs.)
EBG1S2T	304SS	1	16	7	2" NPT	Side in/bottom out or side out design with adjustable legs	64
EBG1D2T	304SS	2	32	7	2" NPT	Side in/bottom out or side out design with adjustable legs	82
EBG1D2F	304SS	2	32	7	2" Flange	Side in/bottom out with adjustable legs	82
EBS1D2T	316SS	2	32	7	2" NPT	Side in/bottom out or side out design with adjustable legs	82
EBS1D2F	316SS	2	32	7	2" Flange	Side in/bottom out with adjustable legs	82

Ordering Configurations (Size 3 & 4)							
Part #	Material	Industry Size	Bag Length	Bag Diameter (in.)	Connection	Features	Weights (lbs.)
EBG131T	304SS	3	8	4	1" NPT	Side in/bottom out or side out design with adjustable legs	24
EBG141T	304SS	4	14	4	1" NPT	Side in/bottom out or side out design with adjustable legs	29

Ordering Information



* Only avail. in 1" NPT
 ** Only avail. in 2" NPT
 *** Only avail. in 2" NPT & 2" Flange

Size S (1) & D (2) Replacement Parts	
Part Number	Description
2390-5003	Cover Bolt Assembly [†]
4150-5835-E	O-ring, Cover EPDM
4150-5835-N	O-ring, Cover Buna-N
4150-5835-V	O-ring, Cover FKM (Viton®)
4150-5834-E	O-ring, Basket EPDM
4150-5834-N	O-ring, Basket Buna-N
4150-5834-V	O-ring, Basket FKM (Viton®)
0370-5325	Basket, Double Length - 304SS
0370-5343	Basket, Double Length - 316SS
5020-5248	Retainer Bag - 304SS
5020-5254	Retainer Bag - 316SS
3420-5492	Leg Assembly Size 2 - 304SS
3420-5495	Leg Assembly Size 1 - 304SS

[†]Bolt assembly includes 1 each bolt, nut, washer, pin & retainer.

Size 3 & 4 Replacement Parts	
Part Number	Description
2390-5003	Cover Bolt Assembly [†]
4154-5350	O-ring, Cover EPDM
4151-1350	O-ring, Cover Buna-N
4152-8350	O-ring, Cover FKM (Viton®)
4154-5155	O-ring, Basket EPDM
4151-1155	O-ring, Basket Buna-N
4152-8155	O-ring, Basket FKM (Viton®)
0370-5366	Basket, #3
0370-5367	Basket, #4
5830-6004	Spring Retainer
3420-5493	Leg Assembly #3 - 304SS
3420-5494	Leg Assembly #4 - 304SS

[†]Bolt assembly includes 1 each bolt, nut, washer, pin & retainer.

Specifications are subject to change without notification.
 For User Responsibility Statement, see www.parker.com/safety



© 2017 Parker-Hannifin Corporation
 Bioscience Division - North America
 All Rights Reserved
 Fulflo is a registered trademark of Parker-Hannifin Corporation
 Viton is a registered trademark of E.I. DuPont de Nemours & Co., Inc.

DS_IP_EB Single Bag Vessel 2/14 Rev. D