

Fulflo® S Multi-Cartridge Filter Vessel

ASME code filter vessel for liquid and gas applications

Fulflo® S series multi-cartridge filter vessels meet a broad range of liquid and gas applications for flow rates up to 2,040gpm (7,720 lpm). All details of design, materials, construction and workmanship of the S vessel series conform to ASME code.

The S vessel series accommodates double-open-end (DOE) or single-open-end (SOE) filter cartridges in 10 in., 20 in., 30 in. & 40 in. equivalents.



Contact Information

Parker Hannifin Corporation
Industrial Process Filtration - N.A.
118 Washington Avenue
Mineral Wells, TX 76067

phone +1 940 325 2575
industrialprocess.na@parker.com

www.parker.com/industrialprocess

Benefits

- Built in accordance with ASME boiler and pressure vessel code
- Available in 150psi (10.3bar) and 300psi (20.7bar) designs
- Mechanical coverlifts standard on most models
- S85 and S102 feature hydraulic coverlifts (available on all models as an option)
- Dual purpose cartridge seats for use with DOE and 2-222 O-ring SOE cartridges
- O-ring closure seal provides positive cover sealing
- All S models feature swing bolts with closures for quick cleaning and servicing
- Accepts DOE or SOE cartridges

Applications

- Liquid
- Gas
- Food & Beverage
- Chemical Processes
- Petrochemical
- Paints & Coatings



ENGINEERING YOUR SUCCESS.

Fulflo® S Filter Vessels

150 psi (10.3bar) Design Specifications

No. & Model	Cartridges		Max. Flow (gpm)	Dimensions (in.)									Shipping Weight (lbs.)
	Qty.	Length (in.)		A†	B	C	D	E	F	G	H	J††	
S25-3-4F	25	30	375	55.88	26.00	18.06	15.50	28	5	20.44	17.76	4	515
S25-4-6F	25	40	500	69.75	26.00	18.06	16.50	31	5	22.25	17.76	6	540
S35-3-4F	35	30	525	58.19	29.25	20.06	16.50	31	5	22.56	19.77	4	640
S35-3-6F	35	30	525	58.19	29.25	20.06	16.50	31	5	22.56	19.77	6	645
S35-4-6F	35	40	700	68.25	29.25	20.06	16.50	31	5	22.56	19.77	6	695
S40-3-6F	40	30	600	60.25	30.75	22.06	18.00	32	5	23.31	21.70	6	810
S52-3-4F	52	30	780	63.69	33.38	24.06	20.50	34	5	27.56	23.72	4	855
S52-3-6F	52	30	780	63.69	33.38	24.06	20.50	34	5	27.56	23.72	6	865
S52-4-8F	52	40	1040	73.69	33.38	24.06	20.50	34	5	27.56	23.72	6	900
S85-3-8F	85	30	1275	67.25	39.75	30.06	24.00	40	6	31.50	29.81	8	1170
S85-4-8F	85	40	1700	73.63	39.75	30.06	24.00	40	6	31.50	29.81	8	1200
S102-3-8F	102	30	1530	68.63	42.25	32.06	23.63	41.25	6	31.69	31.81	8	1450
S102-4-8F	102	40	2040	79.94	42.25	32.06	23.63	41.25	6	31.69	31.81	8	1600

† Add 5 in to this dimension for hydraulic coverlift.

†† Inlet and outlet size standard ASA flanges.

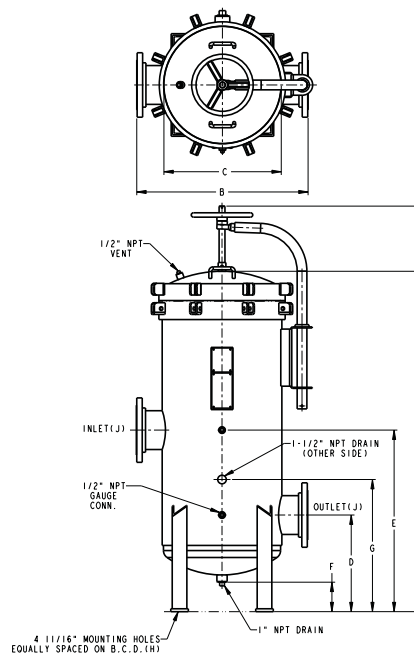
Maximum Operating Conditions

Material of Construction	Max. Operating Pressure (psi @ 250 °F)†	Max. Design Temp.††	Configs.
Carbon Steel	150psi (10.3bar)	500°F (260°C)	S
Carbon Steel	300psi (20.7bar)	500°F (260°C)	HS
304 Stainless Steel	150psi (10.3bar)	300°F (150°C)	S
304 Stainless Steel	300psi (20.7bar)	300°F (150°C)	HS
316 Stainless Steel	150psi (10.3bar)	400°F (204°C)	S
316 Stainless Steel	300psi (20.7bar)	400°F (204°C)	HS

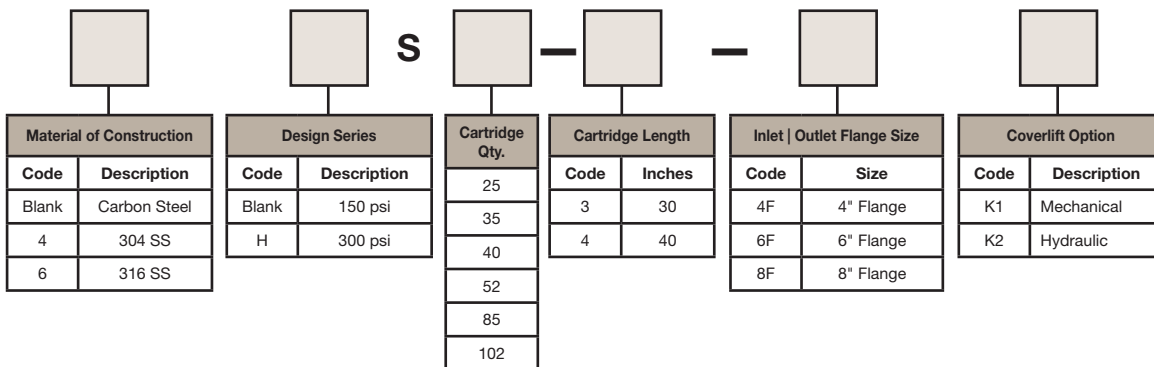
† Operating temperature limited by standard O-ring material and exterior paint.

Model	Optional Shell O-Ring/Gasket*				
	Part #				
	Buna-N	EPDM	FKM Viton®	Fluoropolymer	Neoprene
25 round	4151-1467	4154-5467	4152-8467	4150-5259	-
35 round	4150-5003	4150-5006	4150-5004	4150-5037	-
40 round	4151-1472	4154-5472	4152-8472	4151-5472	4154-1472
52 round	4150-5007	4150-5010	4150-5008	4150-5044	-
85 round	4150-5034	-	4150-5040	-	4150-5444
102 round	4150-5011	-	4150-5012	4150-5046	-

*Optional O-ring shipped separately



Ordering Information



Specifications are subject to change without notification.
For User Responsibility Statement, see www.parker.com/safety

© 2017 Parker-Hannifin Corporation
Industrial Process Filtration - North America
All Rights Reserved

Fulflo is a registered trademark of Parker-Hannifin Corporation
Viton is a registered trademark of E.I. DuPont de Nemours & Co., Inc.

